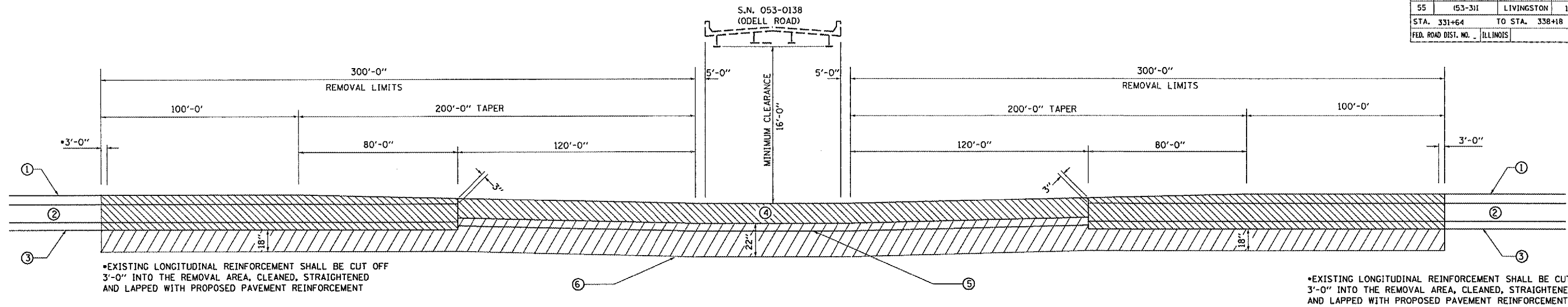


F.A.I. RTE.	SECTION	COUNTY	TOTAL SHEETS	SHEET NO.
55	(53-31)	LIVINGSTON	14	9
STA. 331+64		TO STA. 338+18		
FED. ROAD DIST. NO. - ILLINOIS				

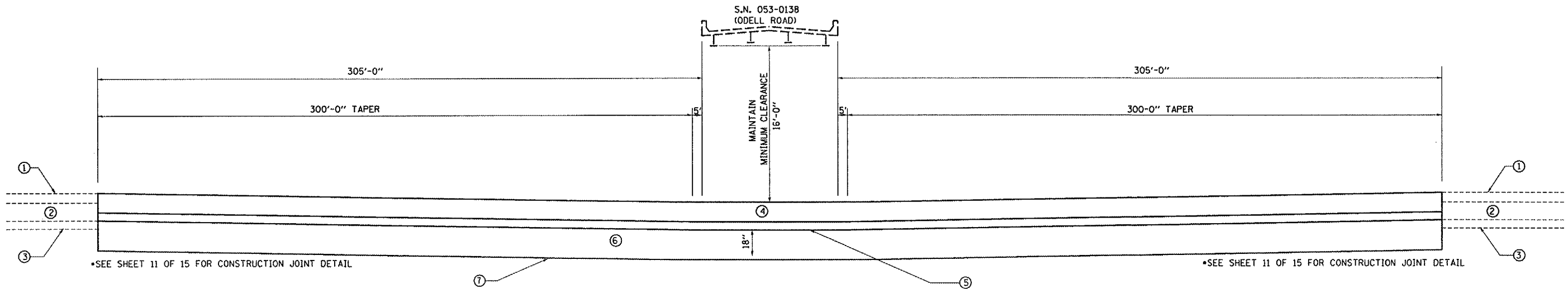


EXISTING PAVEMENT SECTION

- PAVEMENT REMOVAL (SPECIAL)
- EARTH EXCAVATION

LEGEND

- ① 5' BITUMINOUS OVERLAY
- ② 9" CRC PAVEMENT
- ③ 4" STABILIZED SUB-BASE
- ④ CRC PAVEMENT 10"
- ⑤ 4" AGGREGATE SUB-BASE
- ⑥ EXISTING SUBGRADE



PROPOSED PAVEMENT SECTION

- ### LEGEND
- ① EXISTING 5' BITUMINOUS OVERLAY
 - ② EXISTING 9" CRC PAVEMENT
 - ③ EXISTING 4" STABILIZED SUB-BASE
 - ④ CRC PAVEMENT 10"
 - ⑤ STABILIZED SUB-BASE 4" (BAM)
 - ⑥ AGGREGATE SUBGRADE
 - ⑦ GEOTECHNICAL FABRIC FOR GROUND STABILIZATION

REVISIONS	
NAME	DATE

ILLINOIS DEPARTMENT OF TRANSPORTATION

PAVEMENT SECTIONS

SCALE: VERT. HORIZ. DATE 09/21/04

DRAWN BY RW CHECKED BY