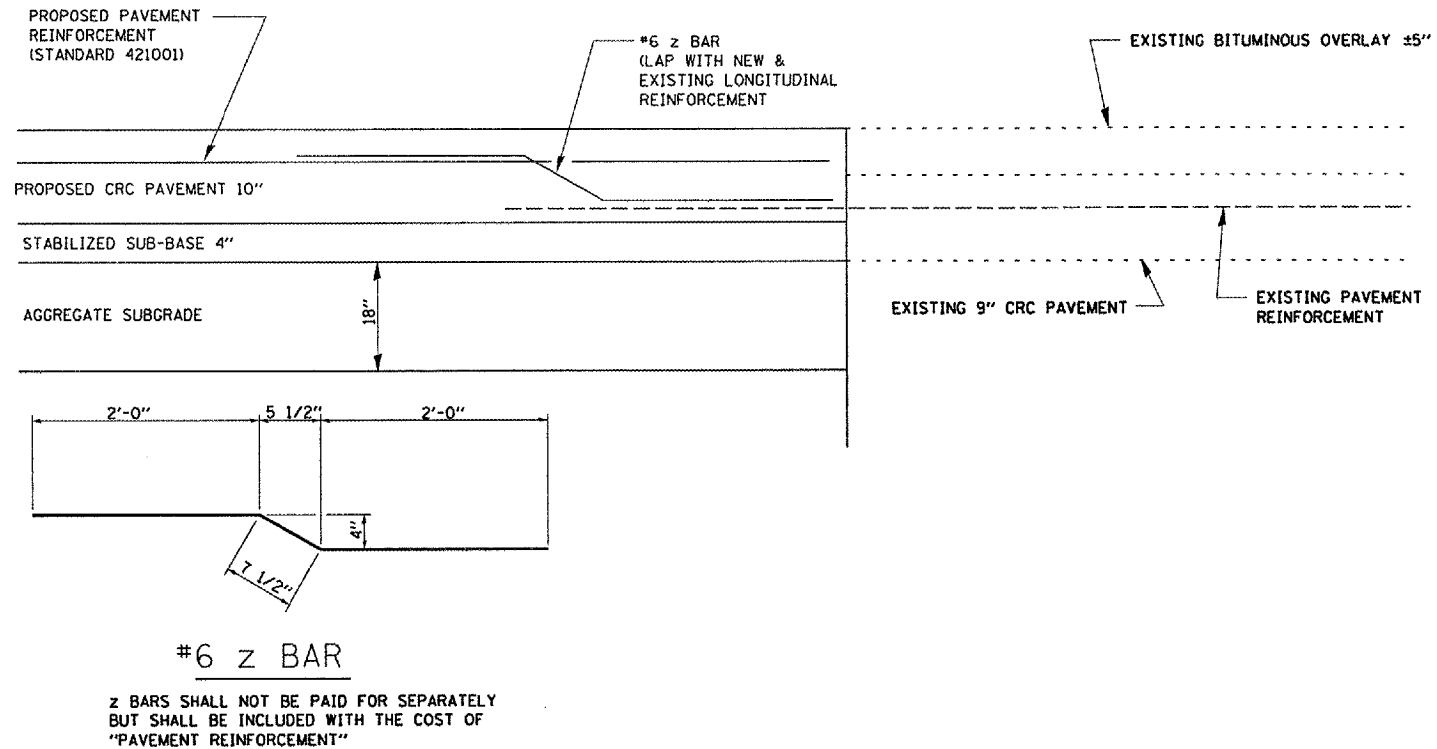
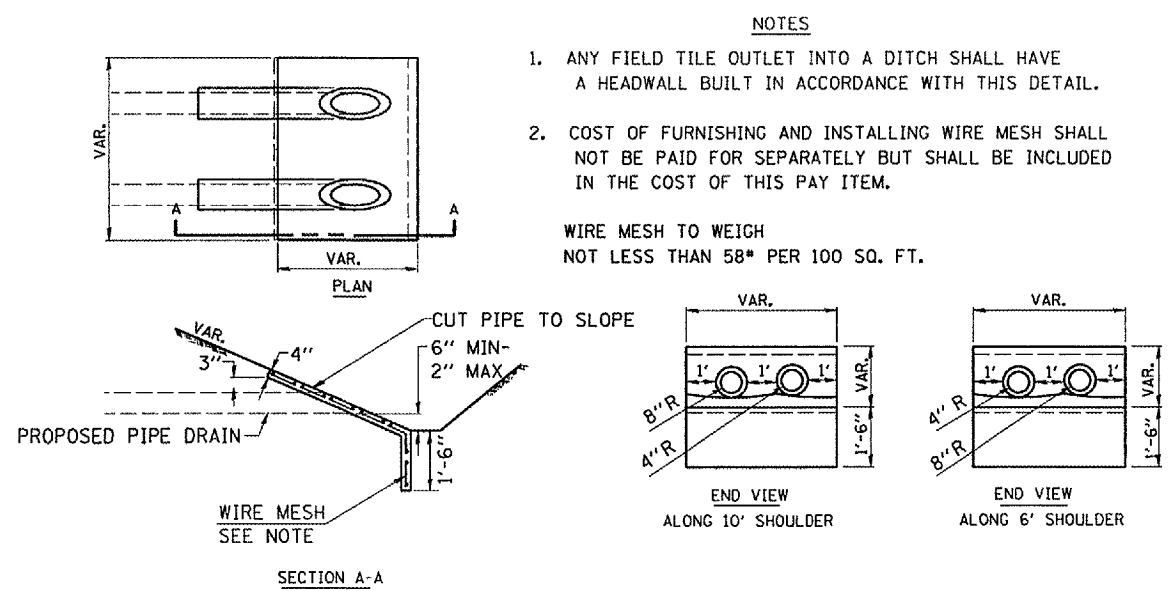


F.A.I. RITE	SECTION	COUNTY	TOTAL SHEETS	SHEET NO.
55	IS3-3I	LIVINGSTON	14	10
STA. 331+64		TO STA. 338+18		
FED. ROAD DIST. NO. - ILLINOIS				

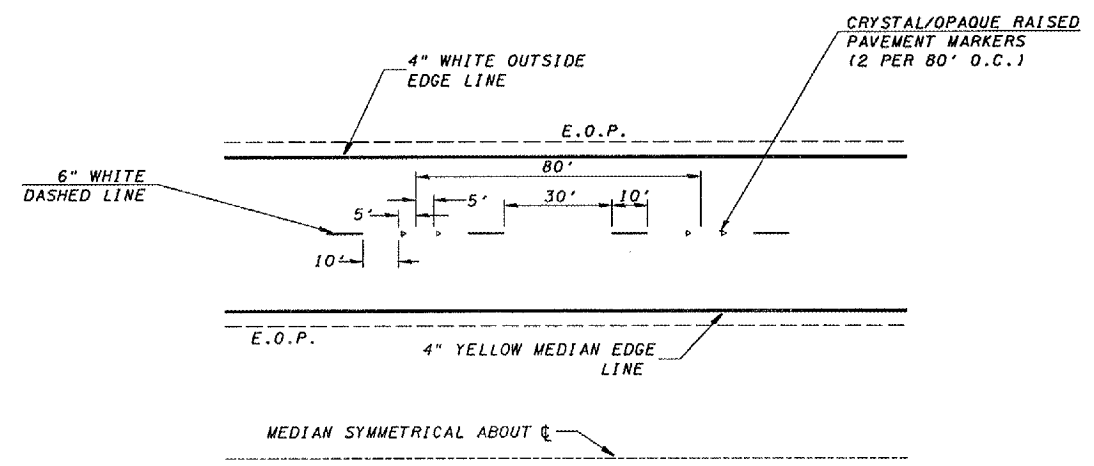


## DETAIL AT CONSTRUCTION JOINTS

STA. 331+64 AND STA. 338+18



## CONCRETE HEADWALL FOR PIPE DRAINS



## TYPICAL PAVEMENT MARKINGS

PLOT DATE : SEPTEMBER 21, 2004  
FILE NAME : c:\mns\55\cm324\detail.dgn

REVISIONS		ILLINOIS DEPARTMENT OF TRANSPORTATION
NAME	DATE	
		MISCELLANEOUS DETAILS

SCALE: VERT. HORIZ. DATE 09/21/04

DRAWN BY RW CHECKED BY