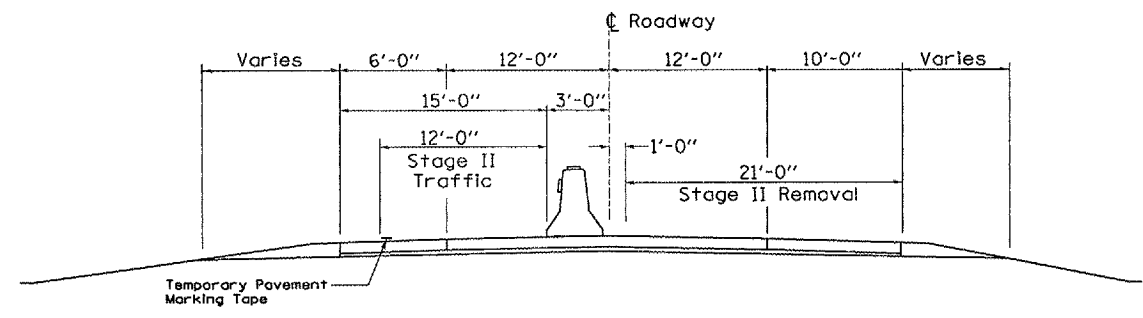
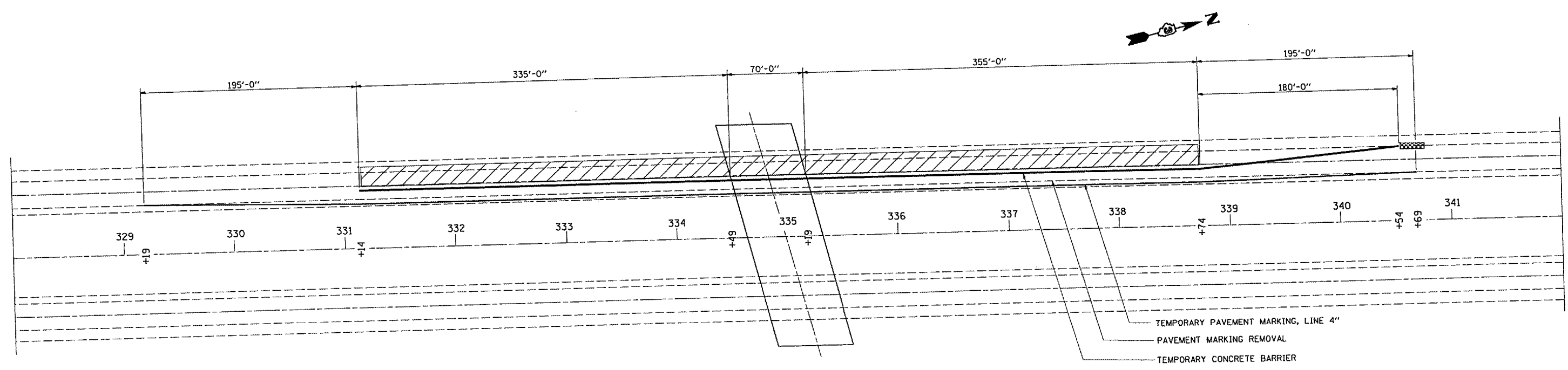
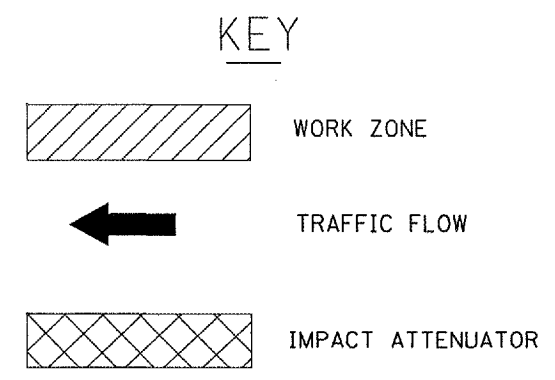


F.A.I. RTE.	SECTION	COUNTY	TOTAL SHEETS	SHEET NO.
55	(53-31)	LIVINGSTON	14	13
STA. 331+64		TO STA. 338+18		
FED. ROAD DIST. NO. ILLINOIS				



PAVEMENT SECTION  
LOOKING WITH DIRECTION OF TRAFFIC



PLAN

NOTE: FURNISHING, PLACING AND REMOVAL OF THE TEMPORARY PAVEMENT MARKING SHOWN ON STANDARD 701402 WILL NOT BE PAID FOR SEPARATELY BUT SHALL BE INCLUDED WITH THE COST OF THE STANDARD

REVISIONS	
NAME	DATE

ILLINOIS DEPARTMENT OF TRANSPORTATION  
**STAGING AND TRAFFIC CONTROL STAGE II**  
SCALE: VERT. HORIZ. DATE 09/21/04  
DRAWN BY RW  
CHECKED BY

WORK THIS SHEET WITH TRAFFIC CONTROL AND PROTECTION STANDARD 701402

PLOT DATE \* SEPTEMBER 21, 2004  
FILE NAME \* c:\mtr\05\cm324\den1a.dgn