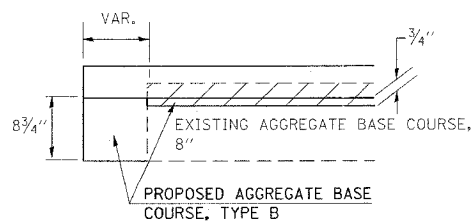
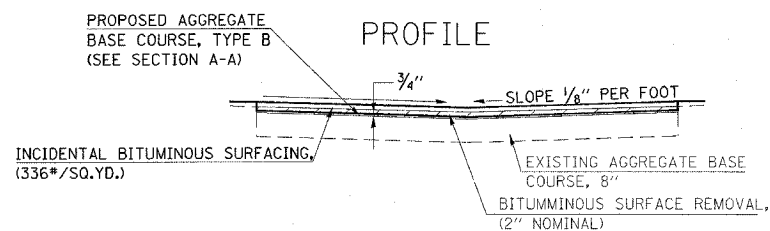
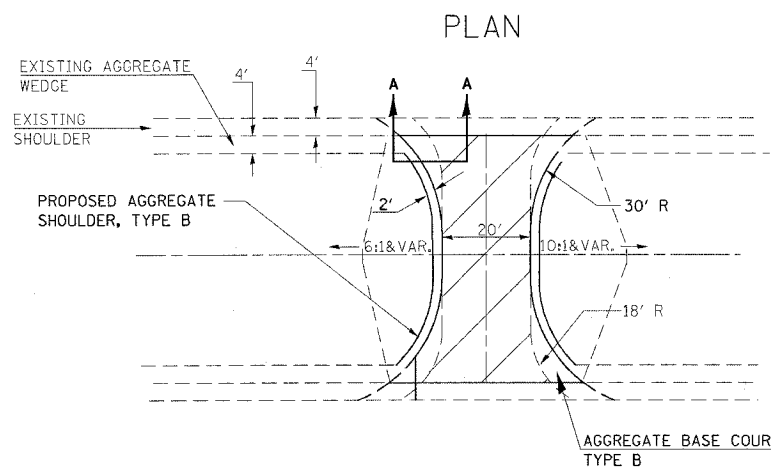
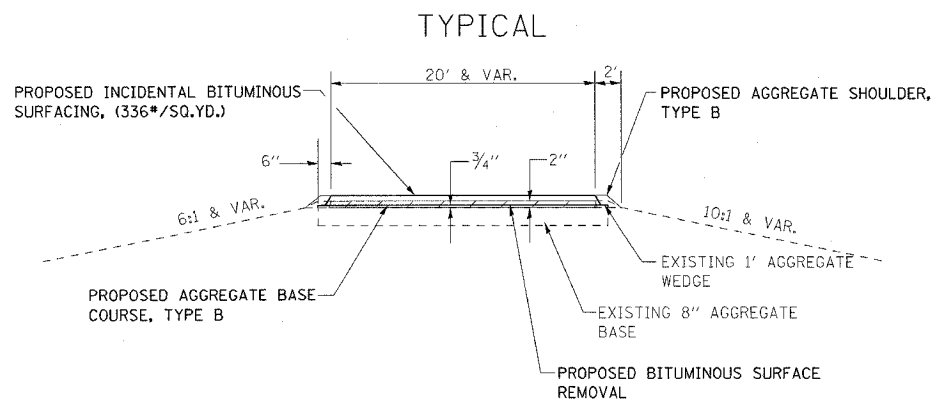


### DETAIL OF MEDIAN CROSS-OVER RECONSTRUCTION STA. 542+05 & 750+80



SECTION A-A

**NOTES**

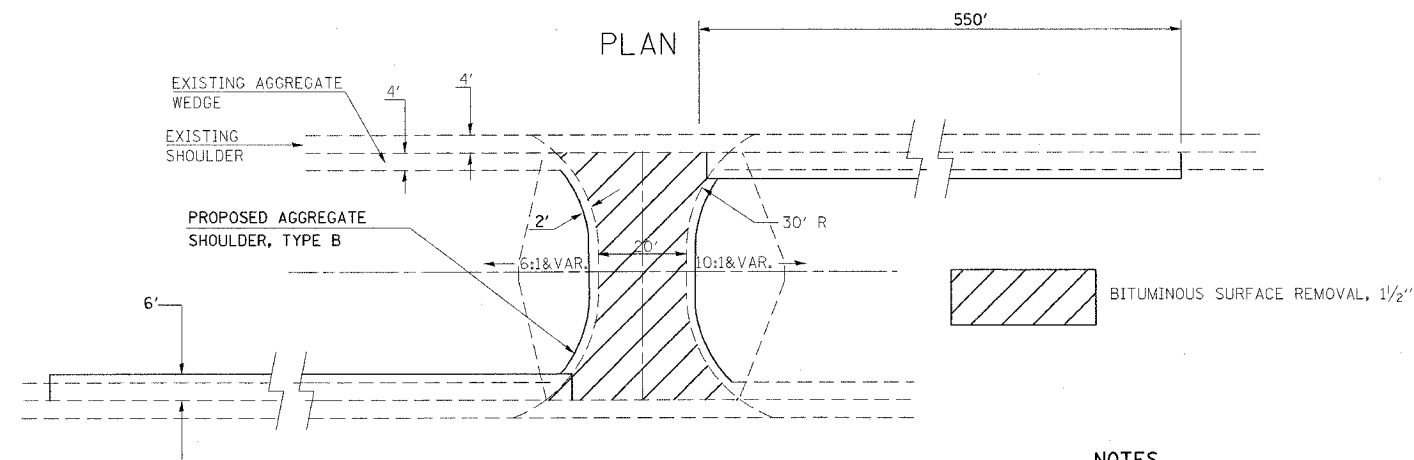
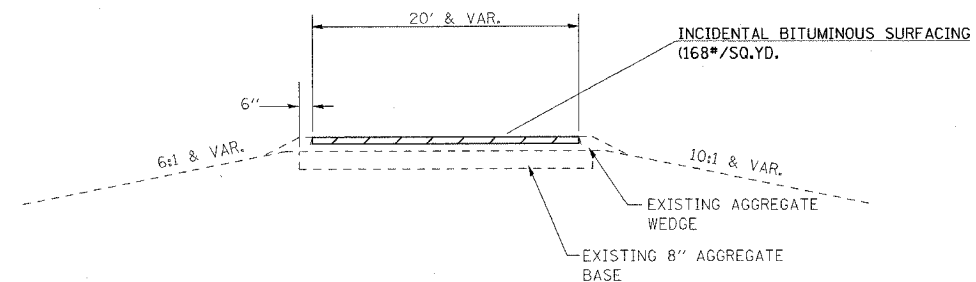
1.) OMIT RUMBLE STRIPS ON SHOULDERS WITHIN THE LIMITS OF THE MEDIAN CROSSOVER.

### DETAIL OF MEDIAN CROSS-OVER RECONSTRUCTION WITH DECELERATION LANES STA. 300+17

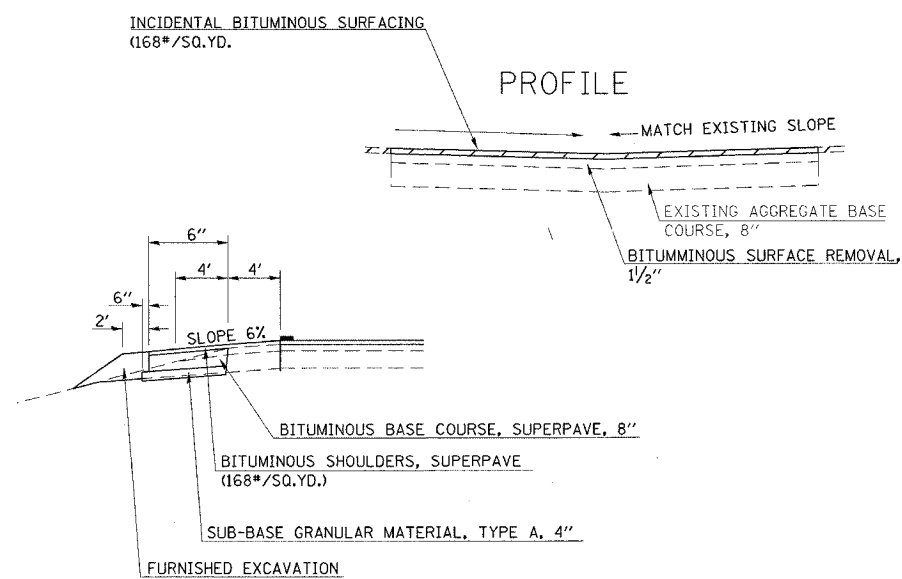
F.A.I. RTE.	SECTION	COUNTY	TOTAL SHEETS	SHEET NO.
57		**	76	58

CONTRACT NO. 70028  
• (15,18-20)RS-2&(15-22)RS-2  
•• COLES & CUMBERLAND

**TYPICAL**



**PROFILE**



SECTION B-B

**NOTES**

- 1.) OMIT RUMBLE STRIPS ON SHOULDERS WITHIN THE LIMITS OF THE WIDENING AND MEDIAN CROSSOVER.
- 2.) REMOVAL OF EXISTING AGGREGATE SHOULDERS IS INCIDENTAL TO THE COST OF PROPOSED 8" BITUMINOUS CONCRETE BASE COURSE.