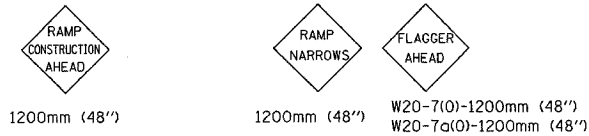
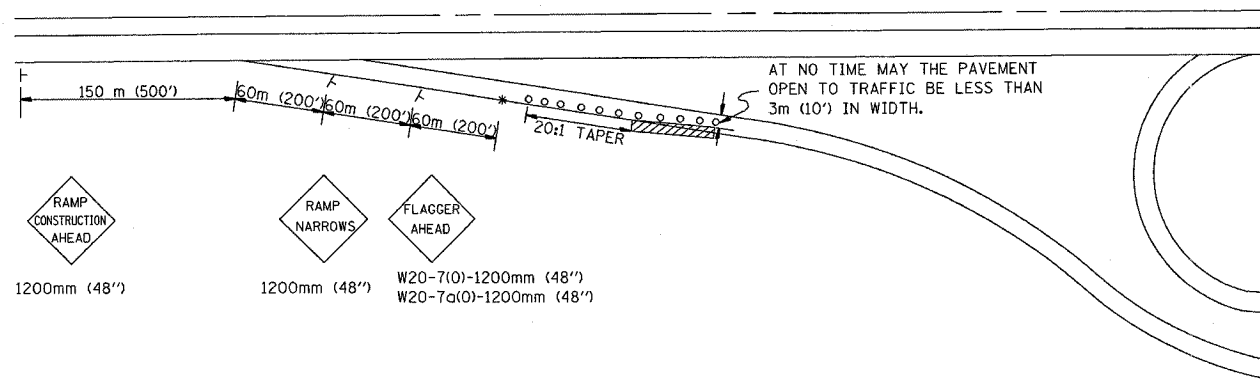


### SPECIAL DETAIL FOR RAMP WORK AREAS

TYPICAL APPLICATION OF TRAFFIC CONTROL DEVICES



**SYMBOLS:**

- TYPE I OR II BARRICADES OF DRUMS @ 15m (50') CTRS.
- \* FLAGGER PLACED AS DIRECTED BY THE ENGINEER
- ┆ SIGN ON PORTABLE OR PERMANENT SUPPORT
- ▨ WORK AREA

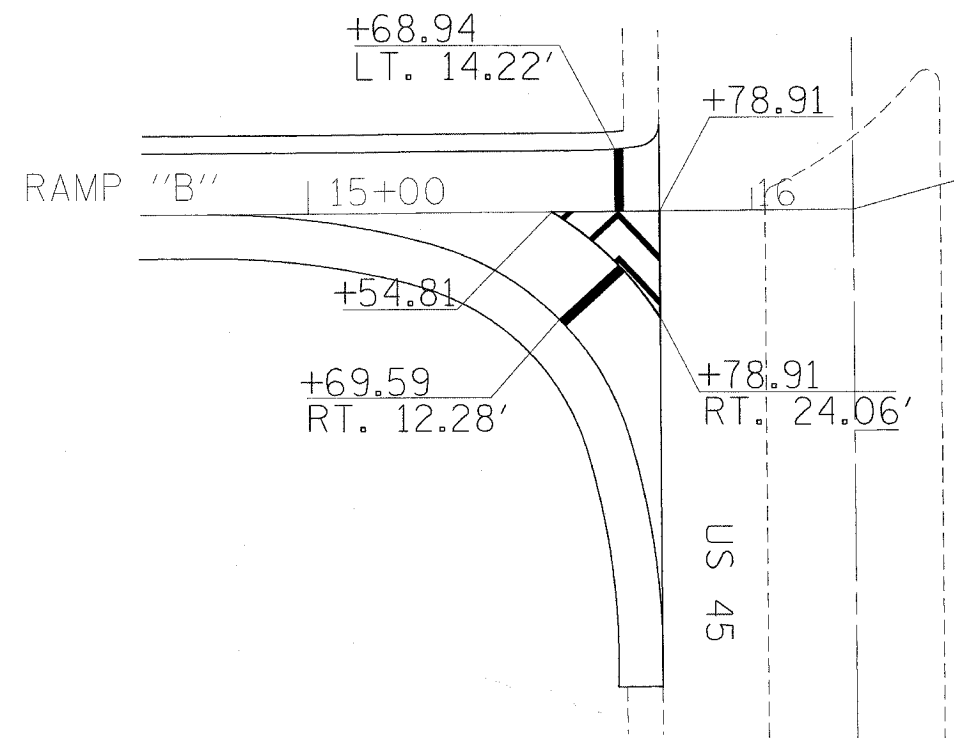
**GENERAL NOTES:**

1. CONSTRUCTION OPERATIONS SHALL BE CONFINED TO AN AREA NARROW ENOUGH THAT A MINIMUM OF 3m (10') OF PAVEMENT SHALL BE OPEN TO TRAFFIC AT ALL TIMES.
2. CONES MAY BE SUBSTITUTED FOR BARRICADES DURING DAY OPERATIONS, AT 7.5m (25') SPACING.
3. FULL WIDTH PAVEMENT ON THE RAMPS SHALL BE OPEN TO TRAFFIC AT NIGHT.
4. WHEN NO WORK IS BEING PERFORMED, THE FLAGGER WILL NOT BE REQUIRED. IF THE FLAGGER IS NOT PRESENT, THE FLAGGER SIGNS SHALL BE REMOVED OR COVERED.
5. ALL SIGNS SHALL BE POST MOUNTED IF WORK IN THE AREA EXCEEDS FOUR DAYS OF DAYTIME OPERATIONS.
6. LONGITUDINAL DIMENSIONS MAY BE ADJUSTED SLIGHTLY TO FIT FIELD CONDITIONS.
7. ALL VEHICLES, EQUIPMENT, WORKERS (EXCEPT FLAGGER) AND THEIR ACTIVITIES ARE RESTRICTED AT ALL TIMES TO ONE SIDE OF THE PAVEMENT UNLESS OTHERWISE AUTHORIZED BY THE DISTRICT ENGINEER.

NAME			REVISIONS		
DESIGNED	DATE		NAME	DATE	
D.L.P.	3-95		D.L.P.	8-95	
CHECKED			R.M.H.	12-97	
CADD NO.	F-5.01		R.A.M.	1-98	
			D.L.P.	8-99	
			D.L.P.	8-00	

### PAVEMENT MARKING DETAIL FOR SB I-57/US 45

#### RAMP TERMINAL AT MATTOON



### PAVEMENT MARKING DETAIL FOR NB I-57/US 45

#### RAMP TERMINAL AT MATTOON

