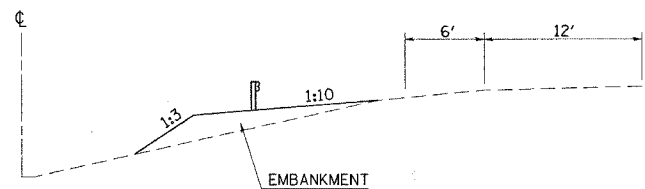
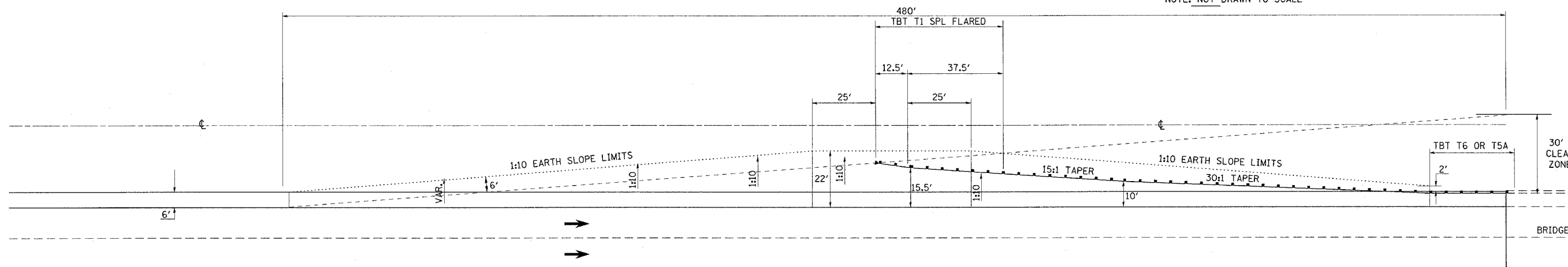


F.A.I. RTE.	SECTION	COUNTY	TOTAL SHEETS	SHEET NO.
57		**	76	61

CONTRACT NO. 70028  
 • (15,18-20)RS-2 & (15-22)RS-2  
 \*\* COLES & CUMBERLAND

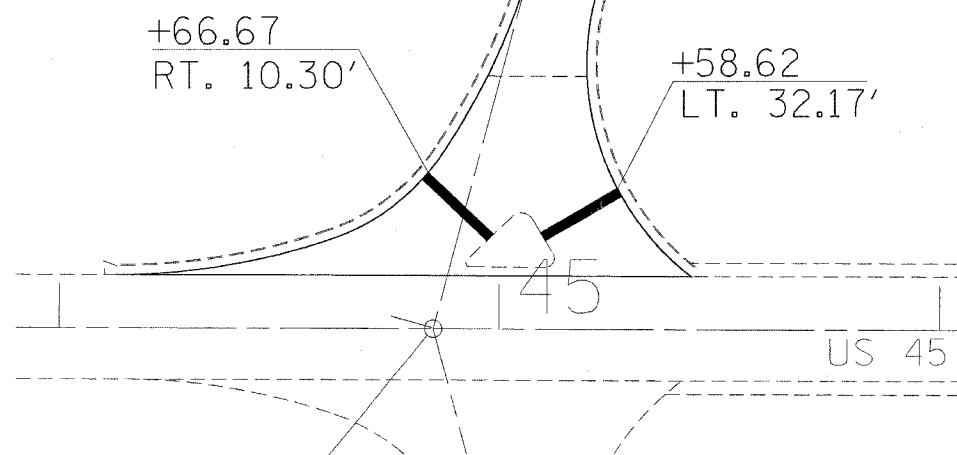
### DETAIL OF FLARED GUARDRAIL AT DUAL STRUCTURES

NOTE: NOT DRAWN TO SCALE



NOTE: SEE PLAN SHEET SCHEDULES FOR LOCATIONS AND STATIONING OF GUARDRAIL.

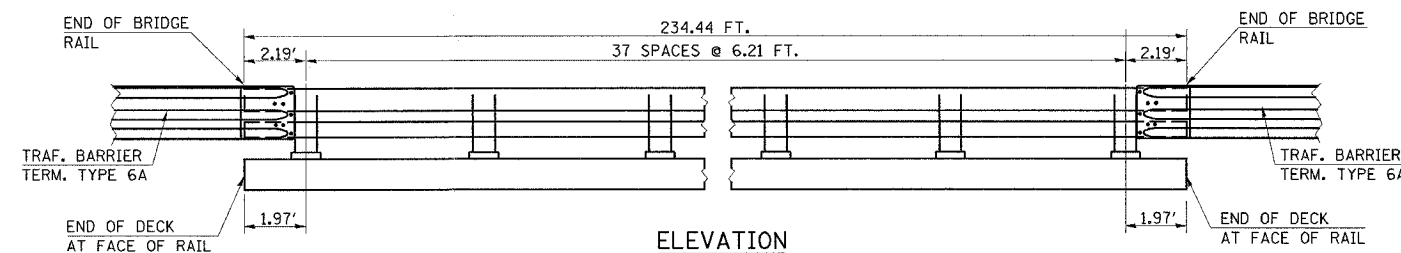
### PAVEMENT MARKING DETAIL FOR SB I-57/US 45 RAMP TERMINAL AT NEOGA



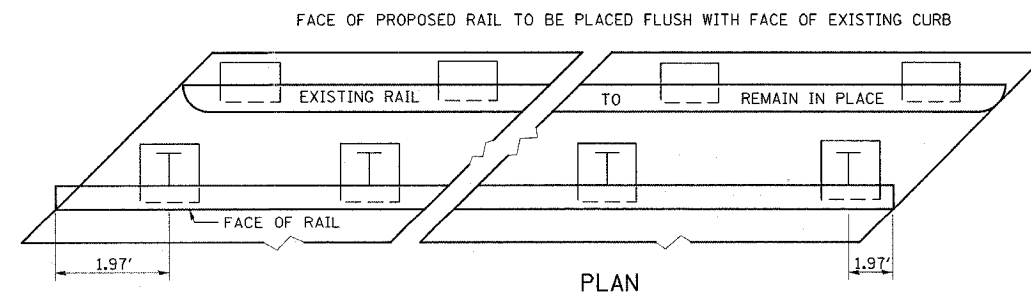
STA. 44+85 (US 45)=  
 STA. 19+00.12 (RAMP "B")

### DETAIL OF POST SPACING FOR STEEL BRIDGE RAIL

STRUCTURE: 015-0032  
 (LEFT AHEAD SKEW)



ELEVATION



PLAN

	NAME	DATE	REVISIONS	
			NAME	DATE
DESIGNED	D.K.S.	08-91		
CHECKED	J.M.H.	09-91	K.A.G.	09-03
CADD NO.	F-5.27			

ALL DIMENSIONS ARE IN FEET (METERS) UNLESS OTHERWISE SHOWN.