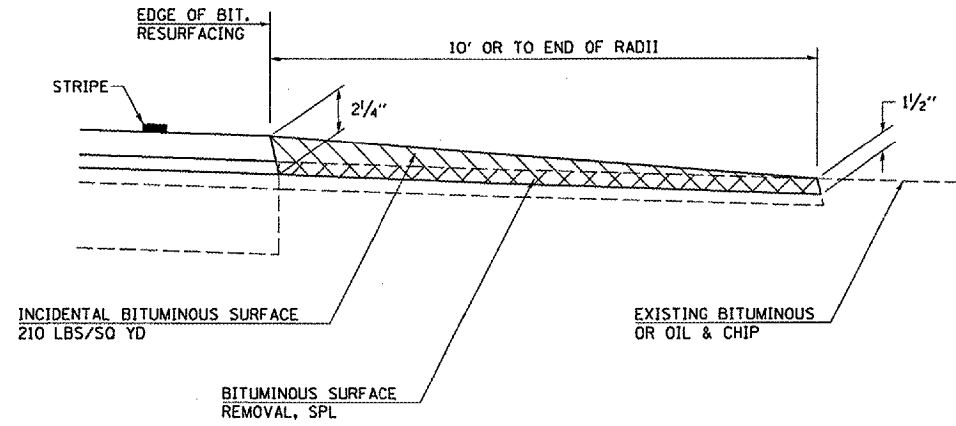


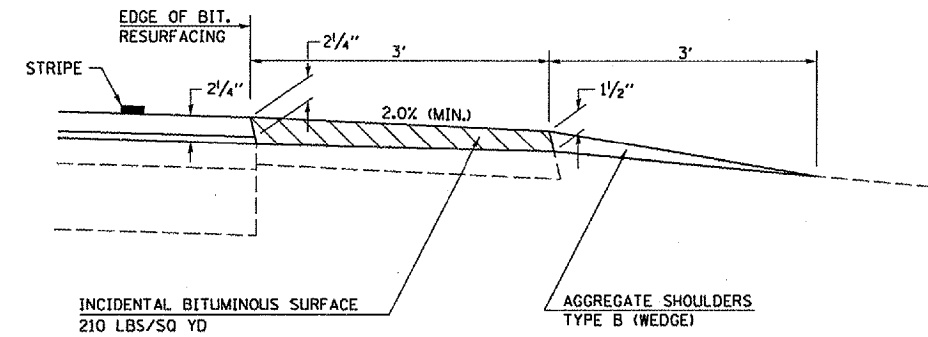
F.A.P. RTE.	SECTION	COUNTY	TOTAL SHEETS	SHEET NO.
709	*	CHAMPAIGN	64	55
STA.		TO STA.		
FED. ROAD DIST. NO.	ILLINOIS	FED. AID PROJECT		
* 113RS-6 & (113BR-2)I				
CONTRACT NO. 70181				

PRIVATE ENTRANCE, COMMERCIAL ENTRANCE, OR SIDEROAD
(BITUMINOUS OR OIL & CHIP)



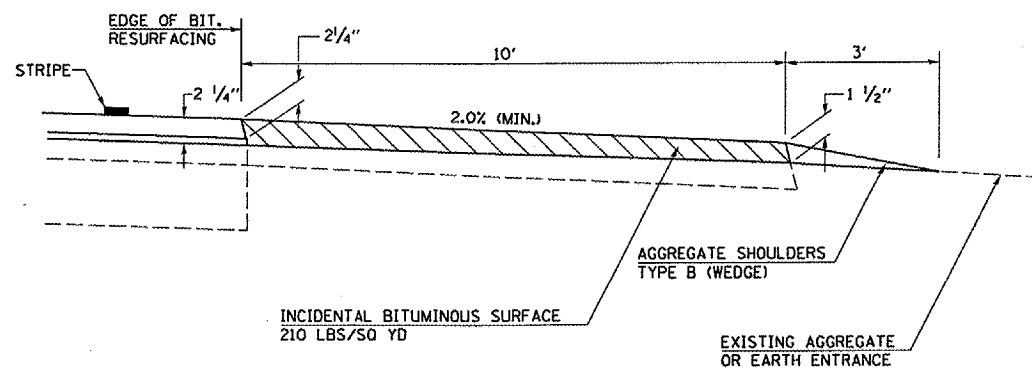
NOTES: THE INCIDENTAL BITUMINOUS SURFACING IS INTENDED TO RESURFACE THE EXISTING ENTRANCES IN THEIR ENTIRETY. THE EXISTING SIDEROADS SHOULD BE RESURFACED TO MAINTAIN THEIR CURRENT RADII UNLESS OTHERWISE SHOWN IN PLANS.

FIELD ENTRANCE
(BITUMINOUS OR OIL & CHIP)



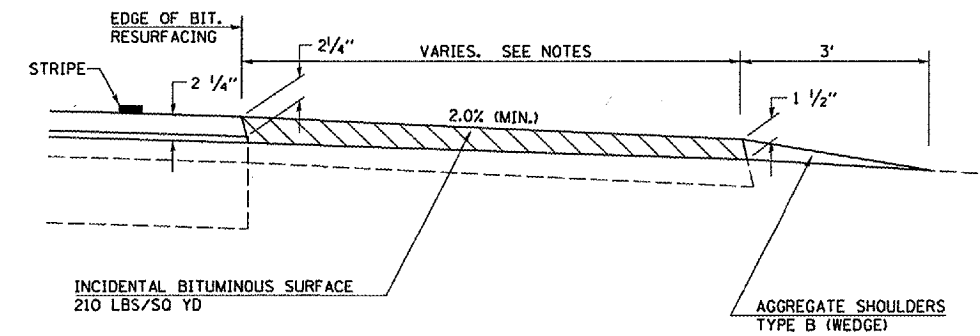
NOTES: THE INCIDENTAL BITUMINOUS SURFACING IS INTENDED TO RESURFACE THE EXISTING ENTRANCES IN THEIR ENTIRETY UNLESS OTHERWISE SHOWN IN PLANS.

PRIVATE OR COMMERCIAL ENTRANCE
(AGGREGATE OR EARTH)



NOTES: THE INCIDENTAL BITUMINOUS SURFACING IS INTENDED TO RESURFACE THE EXISTING ENTRANCES IN THEIR ENTIRETY UNLESS OTHERWISE SHOWN IN PLANS.

MAILBOX TURNOUTS
(BITUMINOUS OR OIL & CHIP)



NOTES: THE INCIDENTAL BITUMINOUS SURFACING IS INTENDED TO RESURFACE THE EXISTING MAILBOX TURNOUTS IN THEIR ENTIRETY UNLESS OTHERWISE SHOWN IN PLANS.