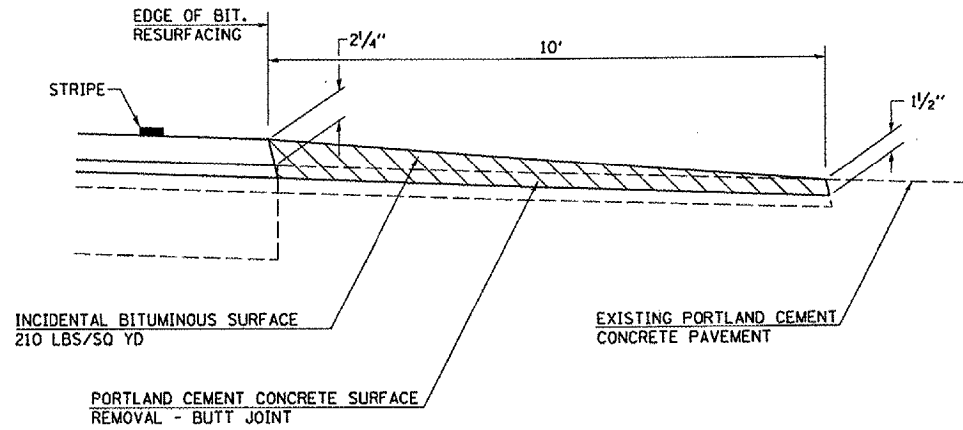
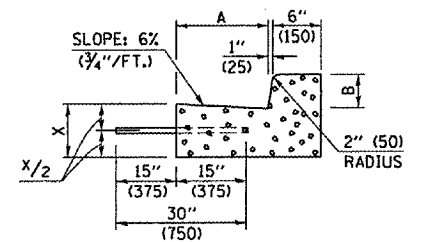
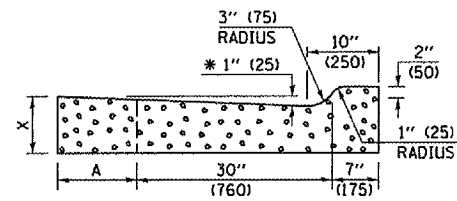
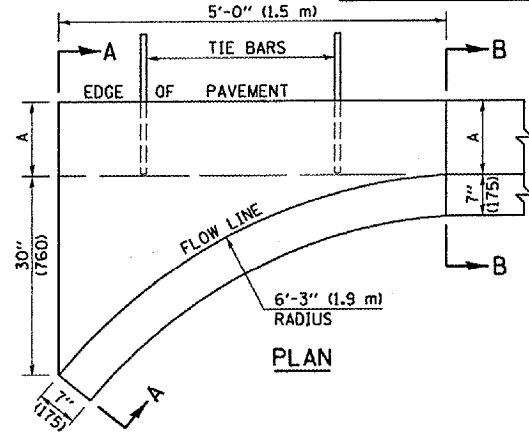


### CONCRETE ENTRANCE OR SIDEROAD DETAIL



NOTES: THE INCIDENTAL BITUMINOUS SURFACING IS INTENDED TO RESURFACE THE EXISTING ENTRANCES IN THEIR ENTIRETY. THE EXISTING SIDEROADS SHOULD BE RESURFACED TO MAINTAIN THEIR CURRENT RADIUS UNLESS OTHERWISE SHOWN IN PLANS.

### DETAIL OF SPECIAL INLET FOR COMBINATION CONCRETE CURB AND GUTTER (BARRIER CURB)



\* INCREASE TO 2" (50 mm) WHERE IN THE PLANS IT IS SPECIFIED THAT THESE SPECIAL INLETS ARE TO BE CONSTRUCTED AS OUTLETS. ALL OUTLET LOCATIONS WILL BE CONFIRMED BY THE ENGINEER.

#### GENERAL NOTES

1. CLASS SI CONCRETE SHALL BE USED THROUGHOUT.
2. TIE BARS SHALL BE NO. 6 (NO. 20) AT 24" (600 mm) CENTERS UNLESS OTHERWISE SHOWN. SPECIAL INLETS AND OUTLETS SHALL BE TIED TO THE PAVEMENT IN ACCORDANCE WITH DETAILS FOR LONGITUDINAL CONSTRUCTION JOINT SHOWN ON STANDARD 420001.
3. TIE BARS SHOWN ABOVE WILL NOT BE PAID FOR SEPARATELY BUT SHALL BE CONSIDERED AS INCIDENTAL TO CLASS SI CONCRETE OUTLETS.
4. WHEN SPECIAL INLET IS CONSTRUCTED ADJACENT TO FLEXIBLE PAVEMENT, THE TIE BARS SHALL BE OMITTED AND ALL CONSTRUCTION JOINTS SHALL BE PROVIDED WITH A DOWEL BAR CONFORMING TO ARTICLE 1006.11(b).
5. THIS WORK WILL BE PAID FOR AT THE CONTRACT UNIT PRICE PER CU. YD. (m<sup>3</sup>) FOR CLASS SI CONCRETE (OUTLETS) WHICH PRICE SHALL INCLUDE ALL LABOR AND MATERIAL AS SPECIFIED AND NO ADDITIONAL COMPENSATION WILL BE ALLOWED.

	B-6.12 (B-15.30)	B-9.12 (B-22.30)	B-6.18 (B-15.45)	B-9.18 (B-22.45)	B-6.24 (B-15.60)	B-9.24 (B-22.60)
A	12" (300)	12" (300)	18" (450)	18" (450)	24" (600)	24" (600)
B	6" (150)	9" (225)	6" (150)	9" (225)	6" (150)	9" (225)
X	9" (225)	10" (250)	9" (225)	10" (250)	9" (225)	10" (250)
CU. YD. (m <sup>3</sup> )	0.37 (0.28)	0.42 (0.32)	0.38 (0.29)	0.42 (0.32)	0.44 (0.34)	0.49 (0.37)
CLASS SI CONCRETE (OUTLETS)	0.42 (0.32)	0.44 (0.34)	0.45 (0.38)	0.50 (0.39)	0.51 (0.43)	0.56 (0.44)

	NAME	DATE	REVISIONS
DESIGNED	J.H.M.	6/88	NAME DATE
CHECKED	P.E.K.	6/88	D.L.P. 10/96
CADD NO.	A-2.01		K.A.G. 06/03

ALL DIMENSIONS ARE IN INCHES (MILLIMETERS) UNLESS OTHERWISE SHOWN.