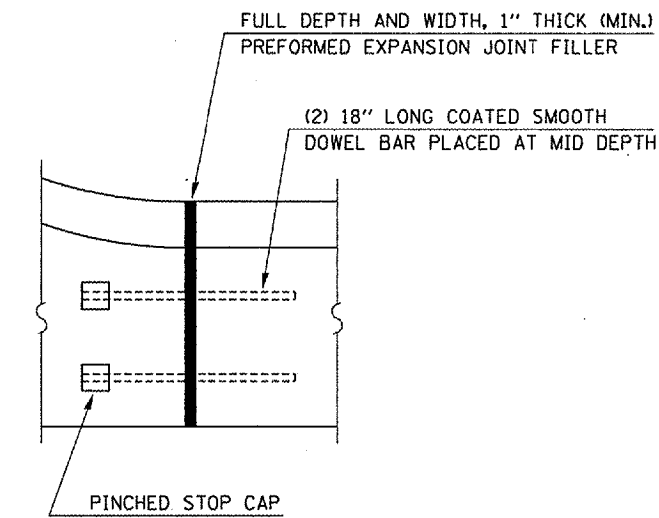
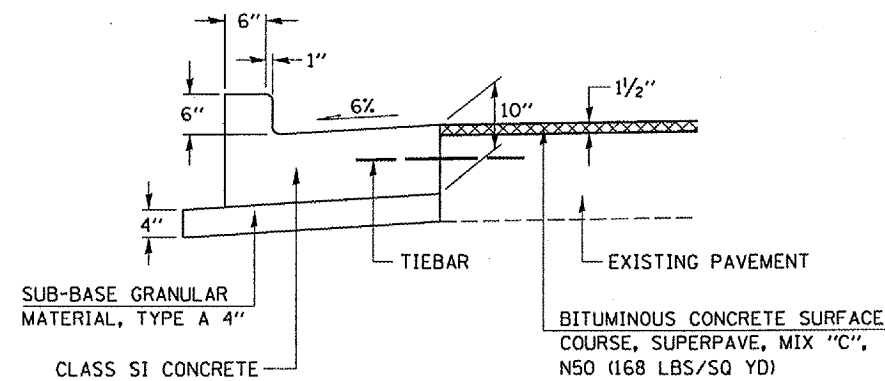
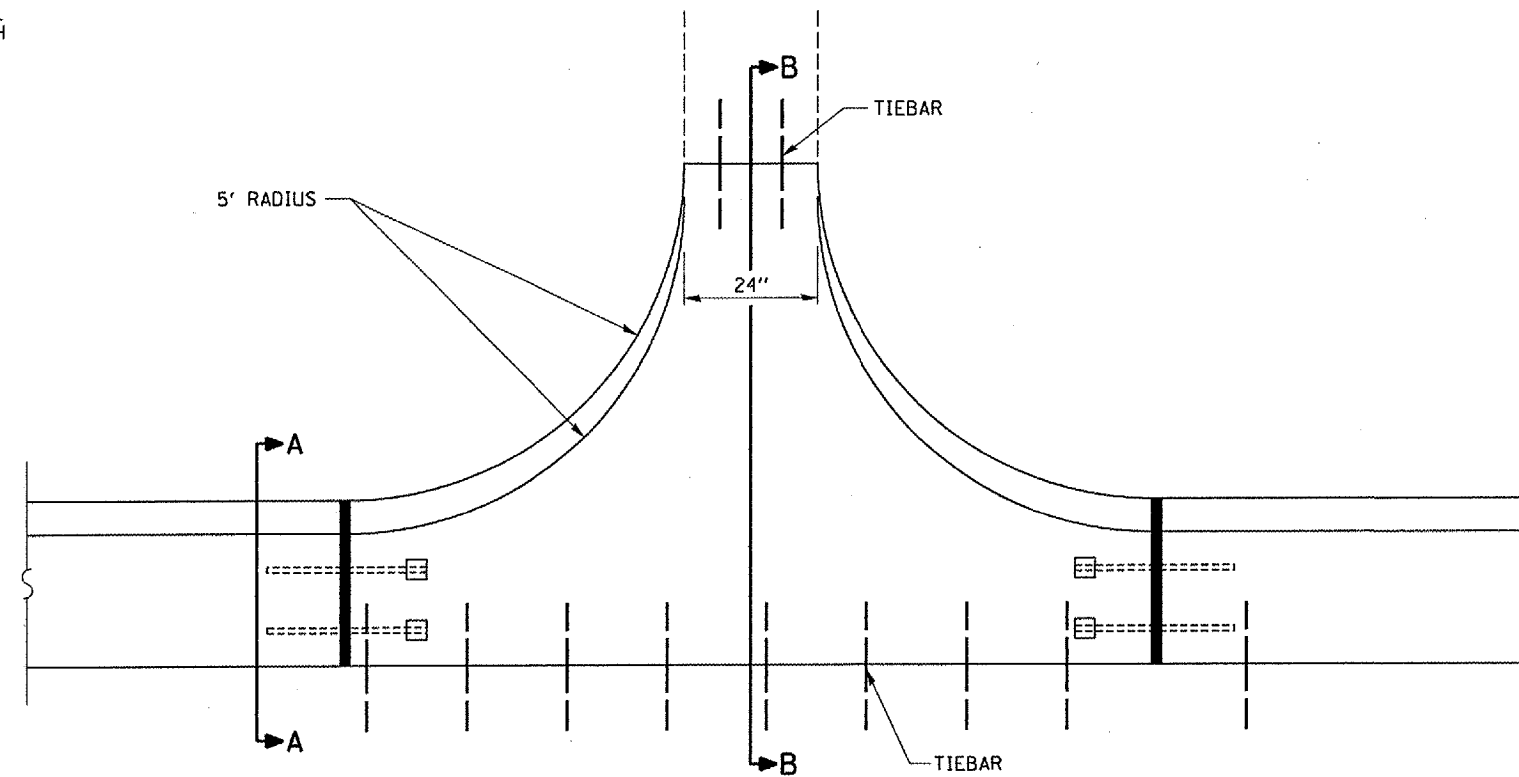


F.A.P. RTE.	SECTION	COUNTY	TOTAL SHEETS	SHEET NO.
709		CHAMPAIGN	64	58
STA.	TO STA.			
FED. ROAD DIST. NO.	ILLINOIS FED. AID PROJECT			
	• 113RS-6 & (113BR-21) CONTRACT NO. 70181			

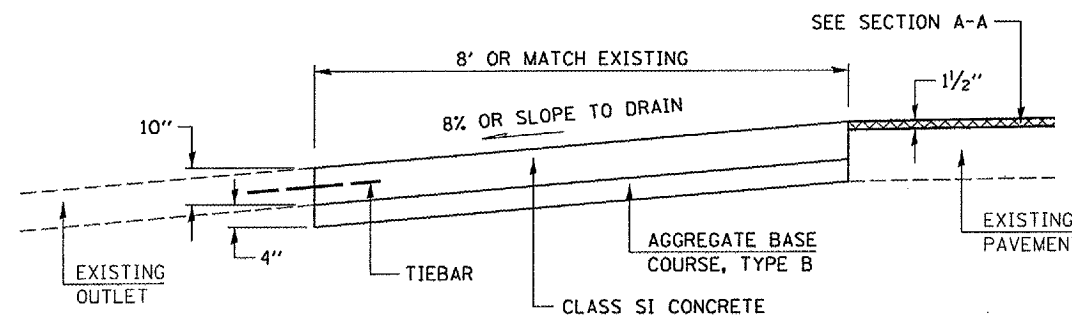
DETAIL OF OUTLET (SPECIAL)



DETAIL OF EXPANSION JOINT



SECTION A-A



SECTION B-B

GENERAL NOTES

1. CLASS SI CONCRETE SHALL BE USED THROUGHOUT.
2. TIE BARS SHALL BE NO. 6 UNLESS OTHERWISE SHOWN.
3. TIE BARS SHALL NOT BE PAID FOR SEPARATELY, BUT SHALL BE CONSIDERED INCIDENTAL TO **OUTLET (SPECIAL)**.
4. THIS WORK SHALL BE PAID FOR AT THE CONTRACT UNIT PRICE PER EACH FOR **OUTLET (SPECIAL)** WHICH PRICE SHALL INCLUDE ALL LABOR AND MATERIAL AS SPECIFIED AND NO ADDITIONAL COMPENSATION SHALL BE ALLOWED.

BILL OF MATERIAL

ITEM	UNIT	TOTAL
CLASS SI CONCRETE	CU YD	2.0
AGGREGATE BASE COURSE, TYPE B	TON	1.4
EPOXY COATED REBAR, NO. 6	EACH	11.0
EPOXY COATED DOWEL BAR	EACH	4.0
PREFORMED EXPANSION JOINT FILLER	FOOT	6.0

BITUMINOUS SURFACE REMOVAL, 1/2"