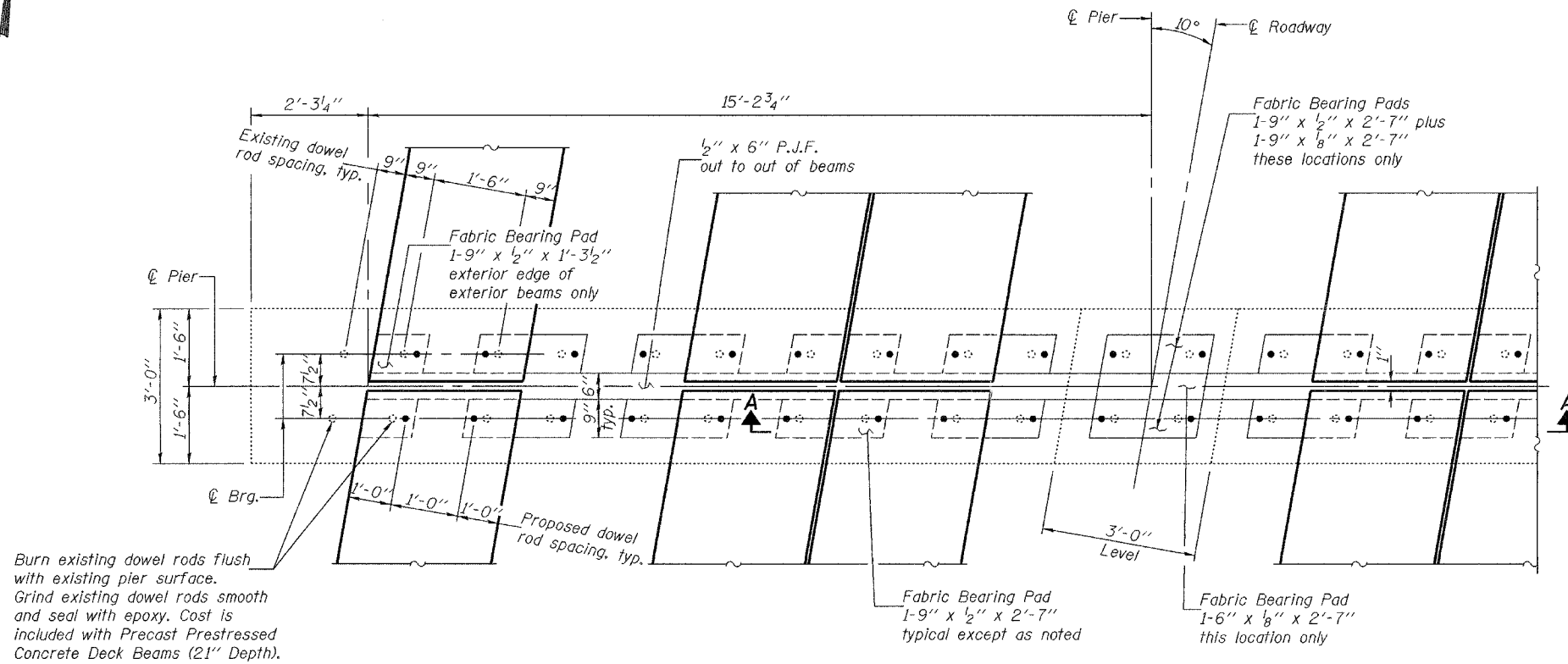
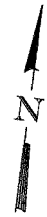


STATE OF ILLINOIS  
DEPARTMENT OF TRANSPORTATION

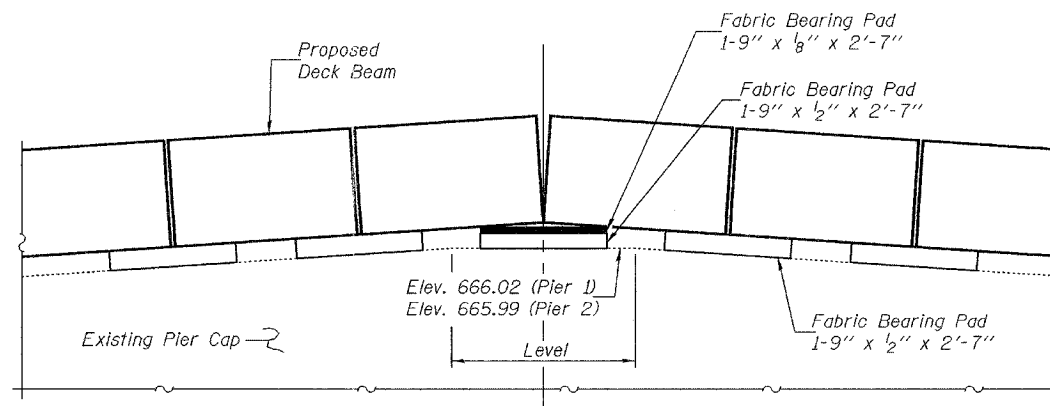
ROUTE NO.	SECTION	COUNTY	SHEETS	SHEET	SHEET NO.
FAS 516	(240B) BR	CHAMPAIGN		17	9
FED. ROAD DIST. NO. 7	ILLINOIS	FED. AID PROJECT			

Contract No. 70184



**PLAN**

(Not all deck beams are shown).  
(Concrete curb and concrete wearing surface not shown.)



**SECTION A-A**

(Concrete wearing surface and dowel rods not shown.)

DESIGNED	SMR
CHECKED	CCC
DRAWN	BECKY M. CURRY
CHECKED	SMR & CCC

January 26, 2005  
EXAMINED *Thomas J. Damgalaki*  
ENGINEER OF BRIDGE DESIGN  
PASSED *Ralph E. Anderson*  
ENGINEER OF BRIDGES AND STRUCTURES

**PIERS**  
**F.A.S. ROUTE 516 - SECTION (240B)BR**  
**CHAMPAIGN COUNTY**  
**STATION 68+94.20**  
**STRUCTURE NO. 010-0220**