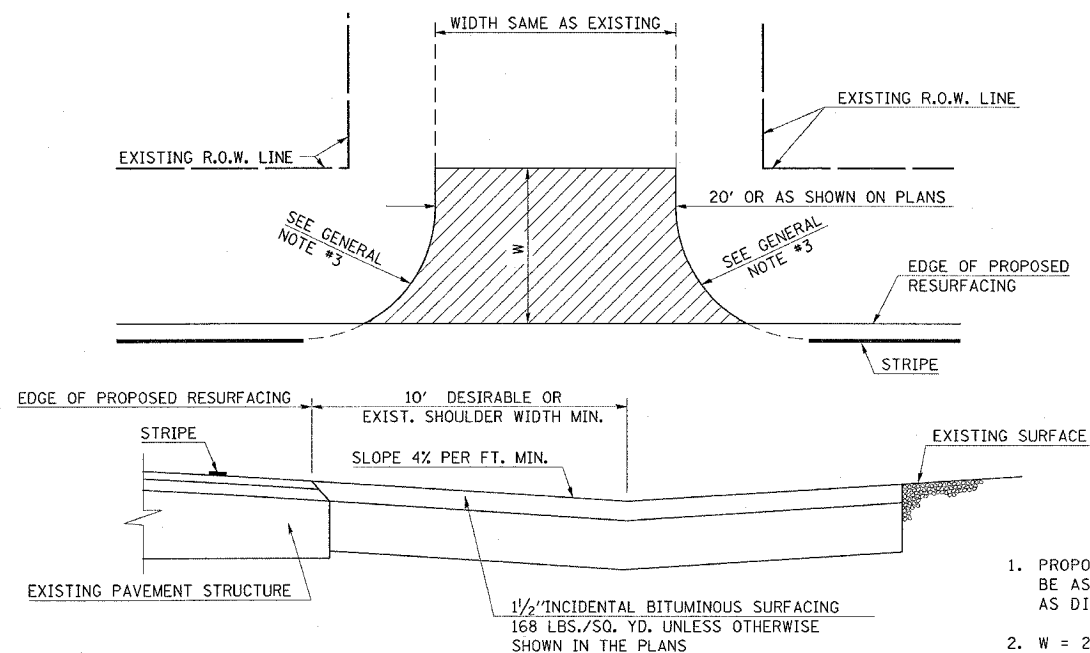


F.A.S. RTE.	SECTION	COUNTY	TOTAL SHEETS	SHEET NO.
516	(240B)BR	CHAMPAIGN		18

CONTRACT NO. 70184

DETAIL OF SIDEROAD RETURNS

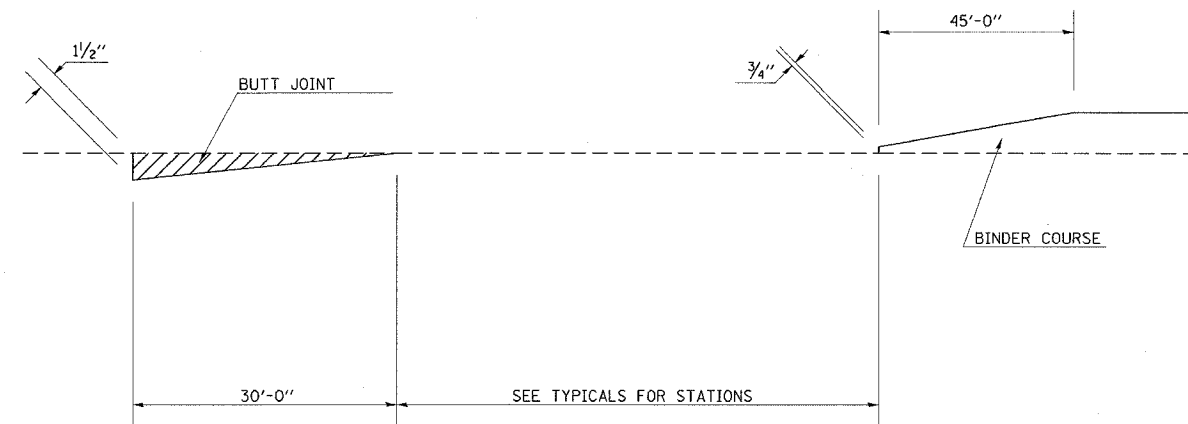


GENERAL NOTES

1. PROPOSED SIDEROAD GRADES SHALL BE AS SHOWN IN THE PLANS AND/OR AS DIRECTED BY THE ENGINEER.
2. W = 20' MINIMUM UNLESS OTHERWISE SHOWN IN THE PLANS.
3. MATCH EXISTING RADIUS UNLESS OTHERWISE SHOWN IN THE PLANS.

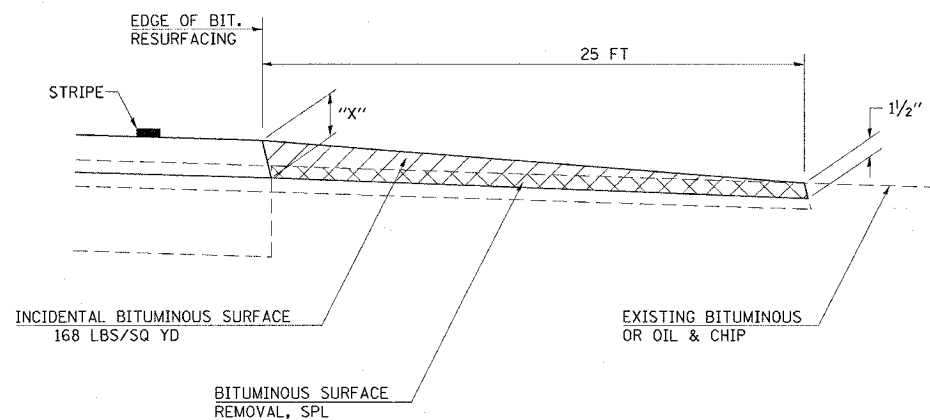
ALL DIMENSIONS ARE IN INCHES (MILLIMETERS) UNLESS OTHERWISE SHOWN.

BUTT JOINT DETAIL



PRIVATE ENTRANCE, COMMERCIAL ENTRANCE, OR SIDEROAD

(BITUMINOUS OR OIL & CHIP)



NOTES: THE INCIDENTAL BITUMINOUS SURFACING IS INTENDED TO RESURFACE THE EXISTING ENTRANCES IN THEIR ENTIRETY. THE EXISTING SIDEROADS SHOULD BE RESURFACED TO MAINTAIN THEIR CURRENT RADII.

"X" = PROPOSED RESURFACING THICKNESS

	NAME	DATE	REVISIONS
DESIGNED	D.A.S.	7/98	NAME
CHECKED	D.L.P.	7/98	K.A.G.
CADD NO.	C-1.27		

ALL DIMENSIONS ARE IN INCHES (MILLIMETERS) UNLESS OTHERWISE SHOWN.