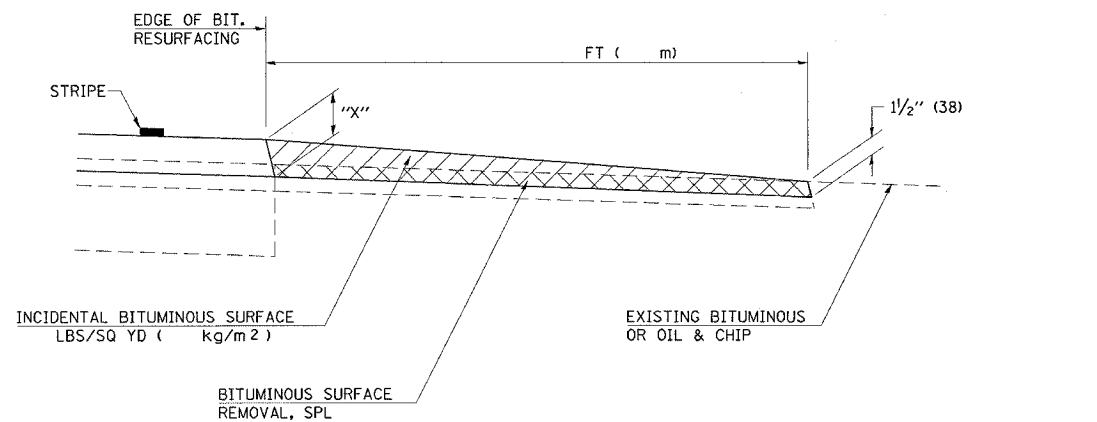


F.A.P. RTE.	SECTION	COUNTY	TOTAL SHEETS	SHEET NO.
323	(139,140)RS-3	•	18	14

• MACON, MOULTRIE & PIATT
CONTRACT NO. 70394

PRIVATE ENTRANCE, COMMERCIAL ENTRANCE, OR SIDEROAD

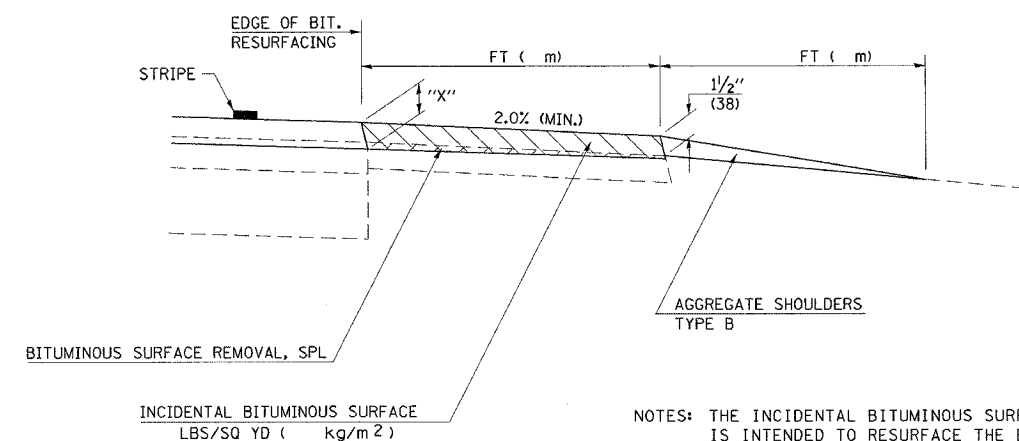
(BITUMINOUS OR OIL & CHIP)



NOTES: THE INCIDENTAL BITUMINOUS SURFACING IS INTENDED TO RESURFACE THE EXISTING ENTRANCES IN THEIR ENTIRETY. THE EXISTING SIDEROADS SHOULD BE RESURFACED TO MAINTAIN THEIR CURRENT RADII.
"X" = PROPOSED RESURFACING THICKNESS

FIELD ENTRANCE

(BITUMINOUS OR OIL & CHIP)



NOTES: THE INCIDENTAL BITUMINOUS SURFACING IS INTENDED TO RESURFACE THE EXISTING ENTRANCES IN THEIR ENTIRETY.
"X" = PROPOSED RESURFACING THICKNESS

DESIGNED	NAME	DATE	REVISIONS	
	NAME	DATE	NAME	DATE
DESIGNED	D.A.S.	7/98		
CHECKED	D.L.P.	7/98	K.A.G.	06/03
CADD NO.	C-1.27			

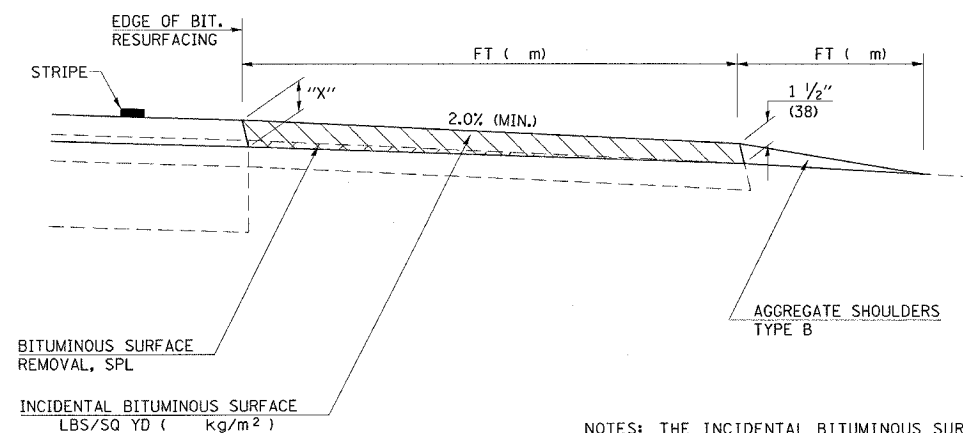
ALL DIMENSIONS ARE IN INCHES (MILLIMETERS) UNLESS OTHERWISE SHOWN.

DESIGNED	NAME	DATE	REVISIONS	
	NAME	DATE	NAME	DATE
DESIGNED	D.A.S.	07/98		
CHECKED	D.L.P.	07/98	K.A.G.	06/03
CADD NO.	C-1.29			

ALL DIMENSIONS ARE IN INCHES (MILLIMETERS) UNLESS OTHERWISE SHOWN.

MAILBOX TURNOUTS

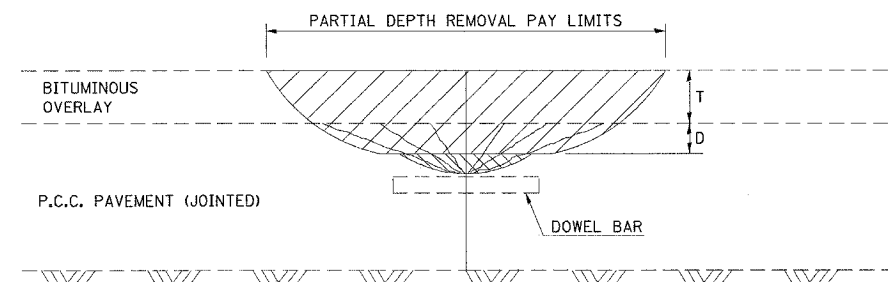
(BITUMINOUS OR OIL & CHIP)

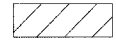
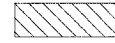


NOTES: THE INCIDENTAL BITUMINOUS SURFACING IS INTENDED TO RESURFACE THE EXISTING MAILBOX TURNOUTS IN THEIR ENTIRETY.
"X" = PROPOSED RESURFACING THICKNESS

PAVEMENT PATCHING (PARTIAL DEPTH)

(PREVIOUSLY RESURFACED JOINTED P.C.C. PAVEMENT)



 +
  = PARTIAL DEPTH REMOVAL

GENERAL NOTES

ALL VOLUME OF REMOVAL LIMITS TO BE REPLACED WITH BITUMINOUS MIXTURE FOR PATCHING.
T = THICKNESS OF BITUMINOUS OVERLAY(S). SEE TYPICAL CROSS SECTIONS.
D = DEPTH OF MACHINE REMOVAL INTO EXISTING P.C.C. PAVEMENT (3" (75 mm) ± OR TO SOUND CONCRETE).
JOINT LOCATION SHOWN - OTHER LOCATIONS SIMILAR.

DESIGNED	NAME	DATE	REVISIONS	
	NAME	DATE	NAME	DATE
DESIGNED	D.A.S.	7/98		
CHECKED	D.L.P.	7/98	K.A.G.	06/03
CADD NO.	C-1.30			

ALL DIMENSIONS ARE IN INCHES (MILLIMETERS) UNLESS OTHERWISE SHOWN.

DESIGNED	NAME	DATE	REVISIONS	
	NAME	DATE	NAME	DATE
DESIGNED	D.L.P.	2/99		
CHECKED	J.M.S.	2/99	D.L.P.	03/99
CADD NO.	C-5.01			

ALL DIMENSIONS ARE IN INCHES (MILLIMETERS) UNLESS OTHERWISE SHOWN.