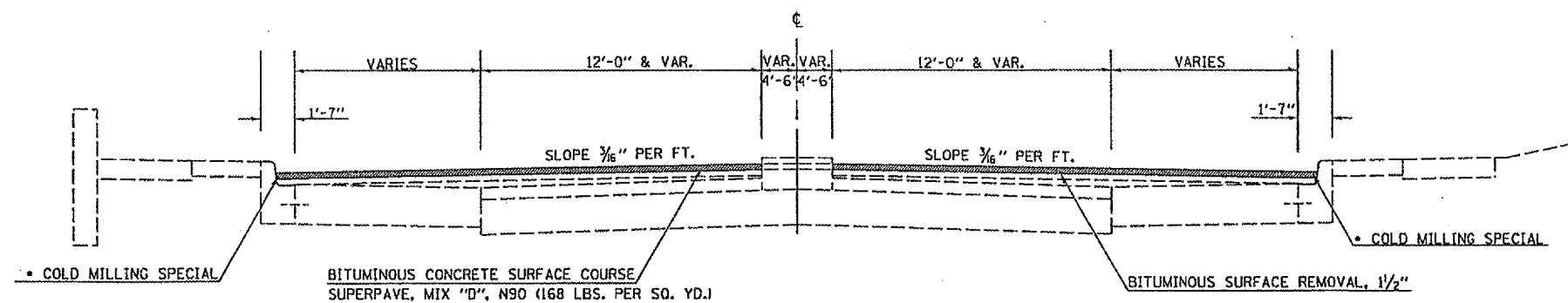


F.A. RTE.	SECTION	COUNTY	TOTAL SHEETS	SHEET NO.
804	321-2	CHAMPAIGN	15	9

CONTRACT NO. 70446

### PROPOSED TYPICAL CROSS SECTION

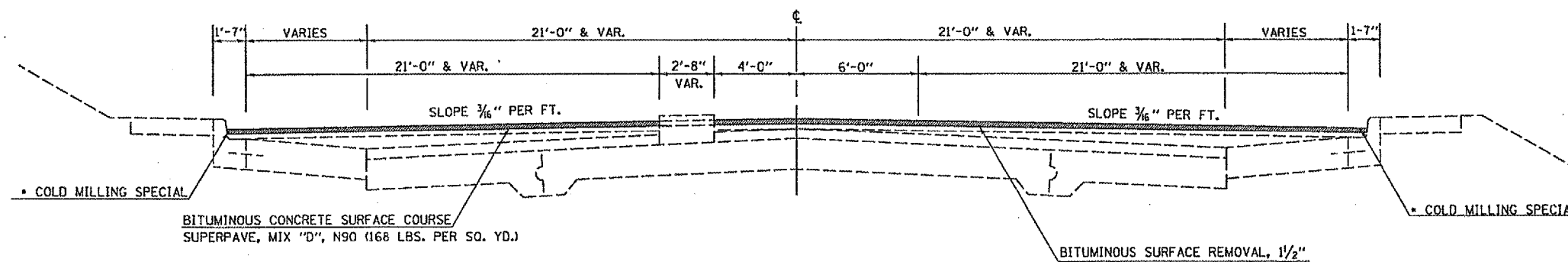
SPRINGFIELD AVE.  
 STATION 366+38.17 TO STATION 369+89.17  
 STATION 1+85.01 TO STATION 3+31.01



### PROPOSED TYPICAL CROSS SECTION

SPRINGFIELD AVE.  
 STATION 0+32.00\* TO STATION 1+85.01  
 STATION 367+89.17\* TO STATION 369+42.17

\* STATION EQUATION  
 369+42.17 BK= 0+32.00 AH



\* = AS DIRECTED BY THE ENGINEER, SEE SPECIAL PROVISIONS