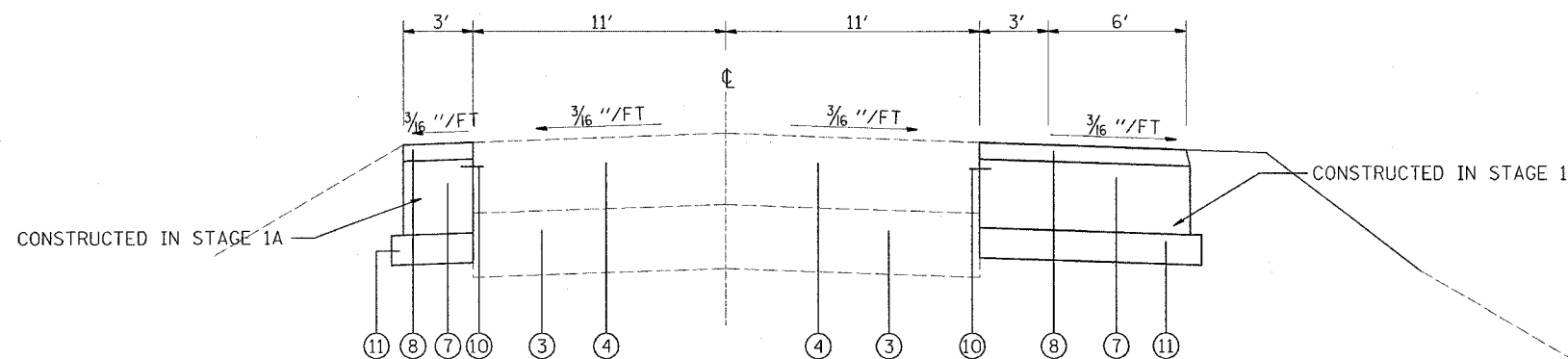


FAP ROUTE	SECTION	COUNTY	TOTAL SHEETS	SHEET NO
312	71BR	RANDOLPH	6	73
STA.		TO STA.		
CONTRACT NO.: 76125				

PLAN	DATE
BY	
REVISION	
NOTED	
DATE	
BY	
DATE	
BY	
DATE	



STAGE I AND STAGE II CONSTRUCTION PROPOSED TYPICAL SECTION

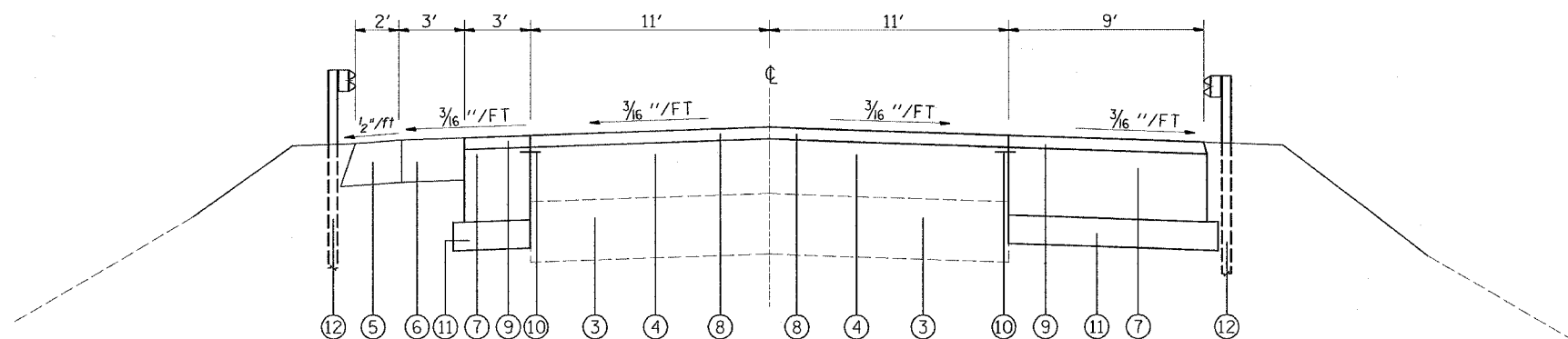
STA. 1124+31.5 TO STA. 1127+79.5
 STA. 1130+00.5 TO STA. 1133+84.5

LEGEND

- ① EXISTING AGGREGATE SHOULDERS-6"
- ② EXISTING BITUMINOUS SHOULDERS-6"
- ③ EXISTING PCC PAVEMENT - 9-6-9
- ④ EXISTING BITUMINOUS RESURFACING - VARIES 10" TO 10 1/4"
- ⑤ PROPOSED AGGREGATE SHOULDER, TYPE B - 6"
- ⑥ PROPOSED BITUMINOUS SHOULDER (SUPERPAVE)- 6"
- ⑦ PROPOSED PCC BASE COURSE - 10 1/2"
- ⑧ PROPOSED BITUMINOUS CONCRETE SURFACE COURSE, SUPERPAVE, MIX "D", N70 - 1 1/2"
- ⑨ PROPOSED BITUMINOUS SHOULDER SUPERPAVE
- ⑩ PROPOSED STRIP REFLECTIVE CRACK CONTROL
- ⑪ PROPOSED SUBBASE GRANULAR MATERIAL, TYPE B-4"
- ⑫ PROPOSED SPBGR TYPE A

*NOTE: THE TYPICALS FOR ROADWAY AT THESE STATIONING IS ACCORDING TO STANDARD 420401

□ BITUMINOUS SURFACE REMOVAL 1 1/2" - TO BE REMOVED IN STAGE III
 STA. 1124+31.5 TO STA. 1127+62.0
 STA. 1130+18.0 TO STA. 1133+84.5



TYPICAL SECTION

STA. 1124+31.5 TO STA. 1127+62.0
 STA. 1130+18.0 TO STA. 1133+84.5
 STA. 1127+62 TO STA. 1127+98*
 STA. 1129+82 TO STA. 1130+18*

REVISIONS	
NAME	DATE

ILLINOIS DEPARTMENT OF TRANSPORTATION
TYPICAL SECTIONS
HORSE CREEK
 FAP ROUTE 312
 SECTION 71BR
 RANDOLPH COUNTY
 SN 079-0048
 DRAWN BY: