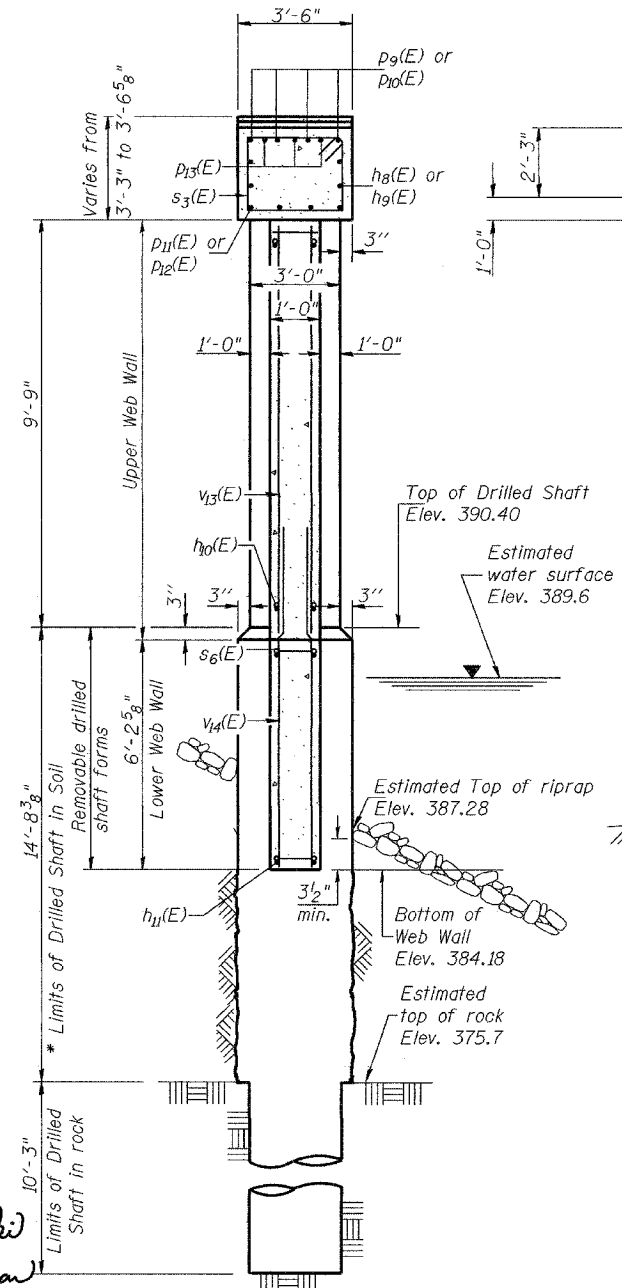
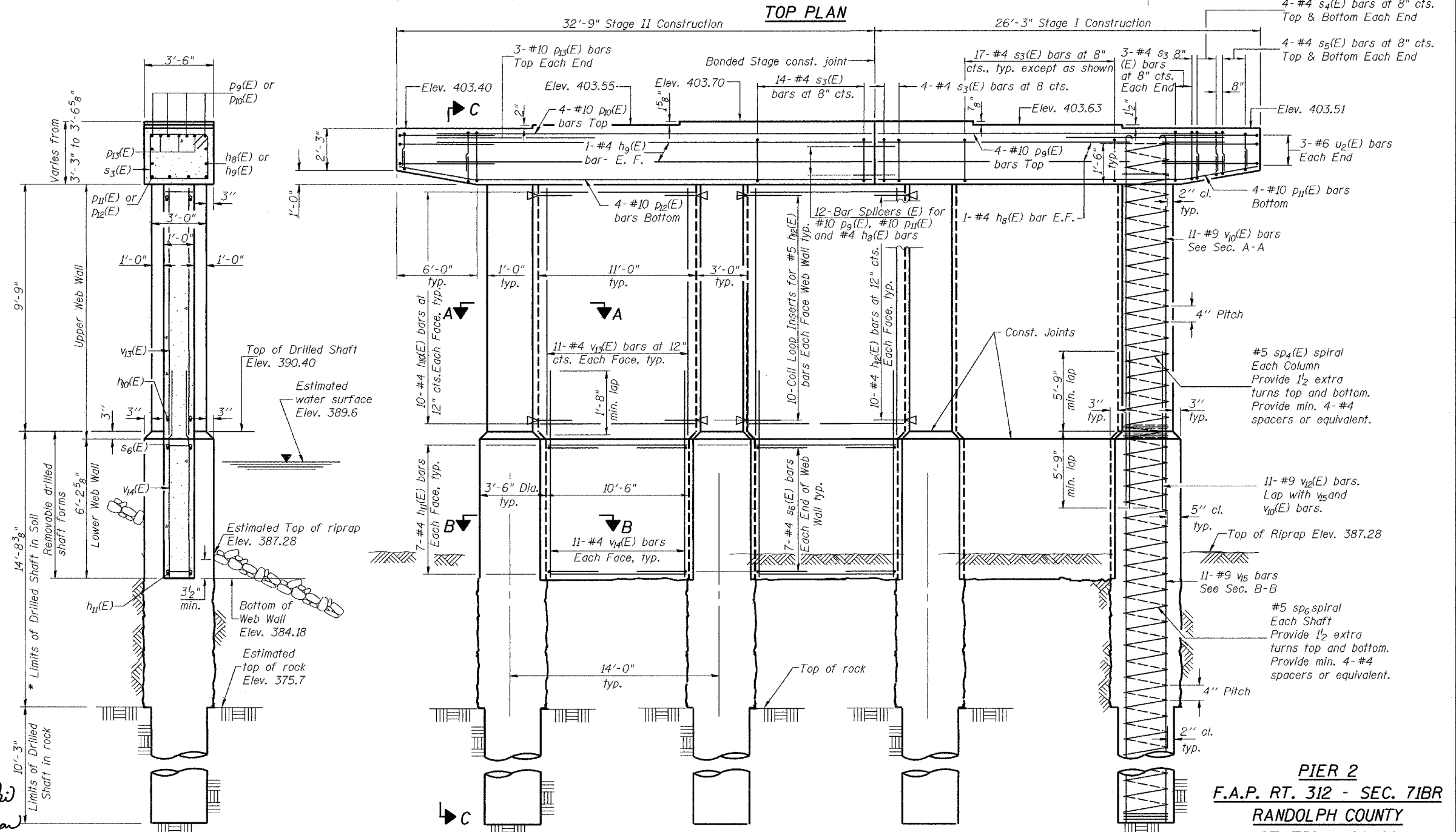
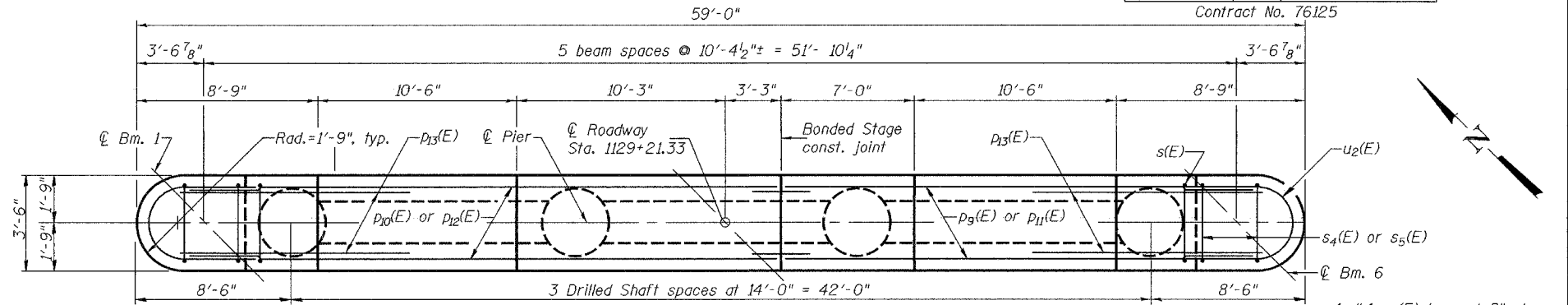


Notes:
 Cast steps monolithically with cap.
 Space cap reinforcement to miss anchor bolts.
 Minimum lap for spirals = 1 1/2 turns.

STATE OF ILLINOIS
 DEPARTMENT OF TRANSPORTATION

ROUTE NO.	SECTION	COUNTY	SHEET	SHEET
F.A.P. 312	71BR	RANDOLPH	73	49
FED. ROAD DIST. NO. 7		ILLINOIS FED. AID PROJECT-		

Contract No. 76125



SECTION C-C

ELEVATION
 (Looking North)

PIER 2
 F.A.P. RT. 312 - SEC. 71BR
 RANDOLPH COUNTY
 STATION 1128+90
 STRUCTURE NO. 079-0048

DESIGNED	T.L. Kurtenbach
CHECKED	J.E. Kramer
DRAWN	A.M. Seiber
CHECKED	JEK/TLK
P-DSWW 6-7-02	

January 26, 2005
 EXAMINED *Thomas J. Domagalicki*
 ENGINEER OF BRIDGE DESIGN
 PASSED *Ralph E. Anderson*
 ENGINEER OF BRIDGES AND STRUCTURES

14'-8 3/8"
 Removable drilled shaft forms
 6'-2 1/2"
 Lower Web Wall
 3'-6"
 Upper Web Wall
 9'-9"
 10'-3"
 Limits of Drilled Shaft in rock