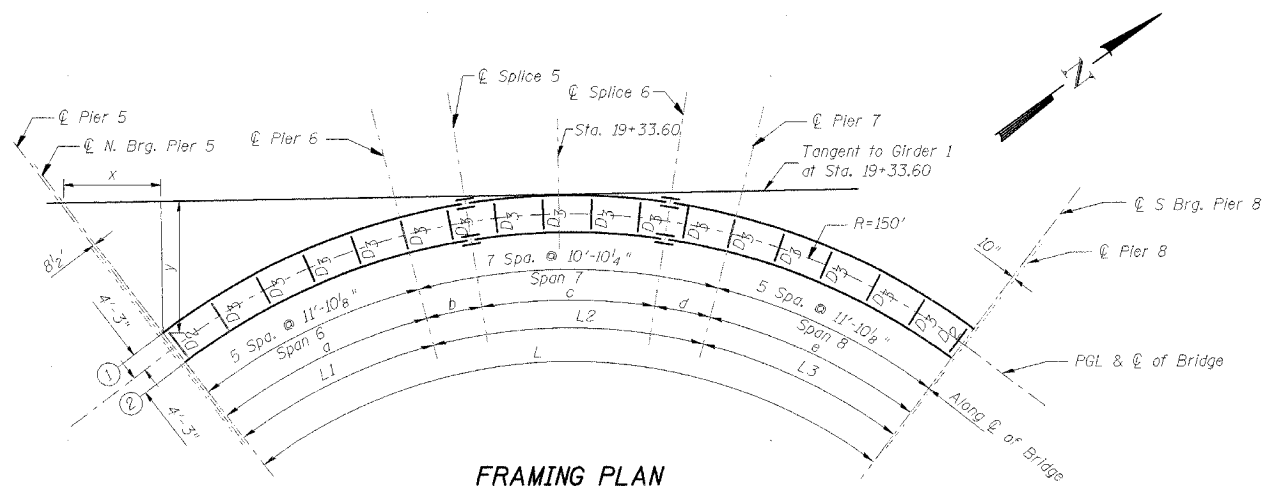
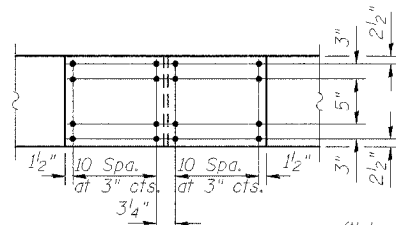


SECTION B-B

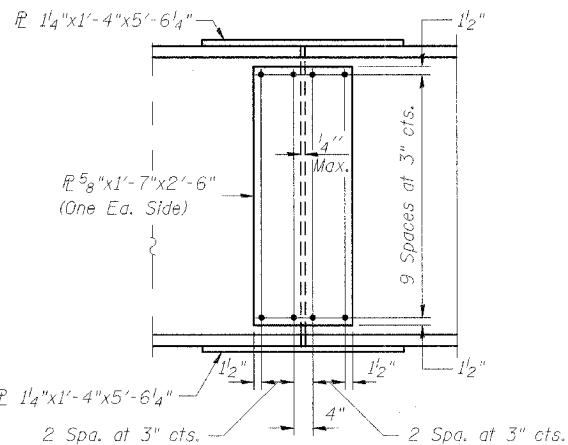


FRAMING PLAN
(SPANS 6 THRU 8)

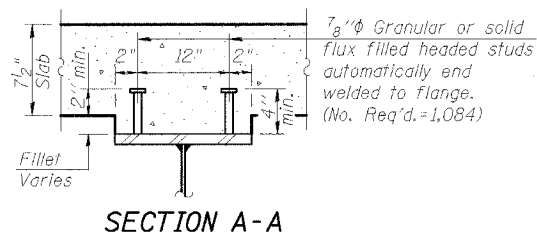


TOP VIEW
(Bottom View Similar)

(Note: All splice plates are curved to match girder curvature.)



FIELD SPLICE DETAIL
(Splices 5 & 6)



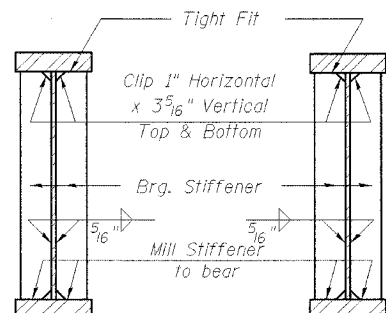
SECTION A-A

GIRDER DIMENSIONS (Feet)

Girder	Radius	a	b	c	d	e	L ₁	L ₂	L ₃	L
1	154.25	60.92	16.34	45.48	16.34	60.92	60.92	78.16	60.92	200.00
2	145.75	57.56	15.44	42.97	15.44	57.56	57.56	73.85	57.56	188.97

LAYOUT DIMENSIONS (Feet)

Girder	Pier 5		Pier 6		Splice 5		Splice 6		Pier 7		Pier 8	
	x	y	x	y	x	y	x	y	x	y	x	y
1	23.70	31.29	1.27	4.92	0.25	1.67	0.25	1.67	1.27	4.92	23.71	31.29
2	22.40	29.57	1.20	4.65	0.23	1.58	0.23	1.58	1.20	4.65	22.40	29.57

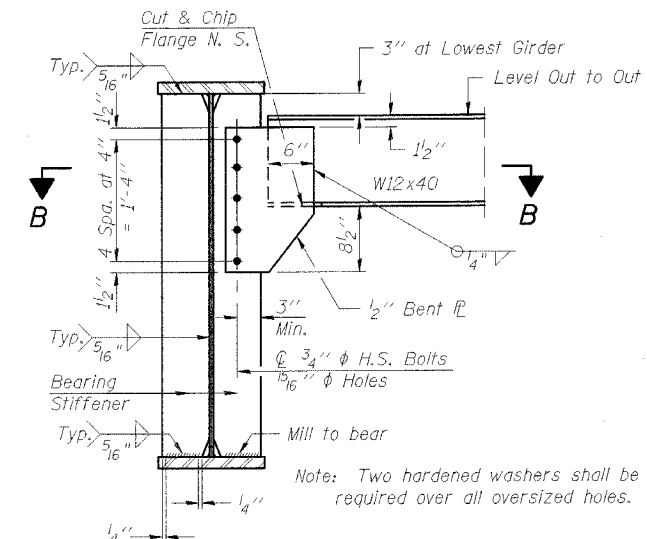


SECTION AT PIER

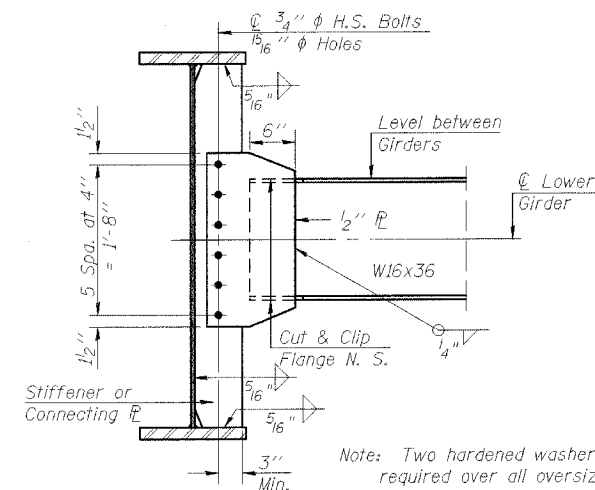
SECTION AT ABUTMENT

Notes:

- For Girder Details See Sheet No. S15
- All diaphragms, splice plates, connection plates and angles shall comply with N.T.R.



END DIAPHRAGM



INTERIOR DIAPHRAGM



REVISIONS					
NO.	DATE	DESCRIPTION	NO.	DATE	DESCRIPTION