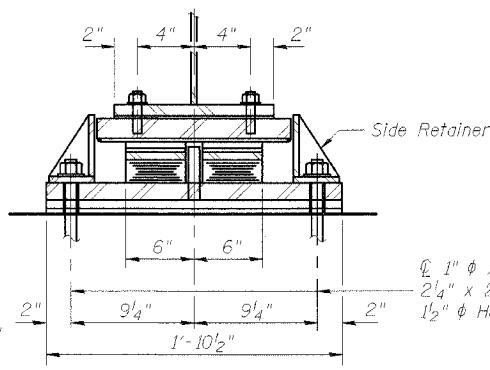
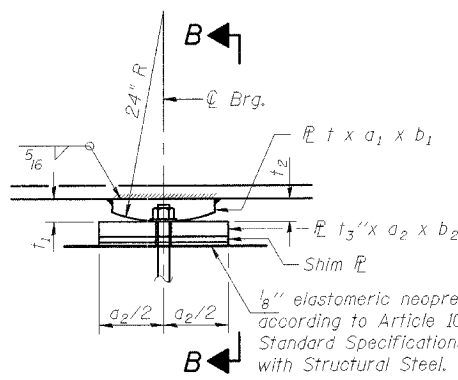


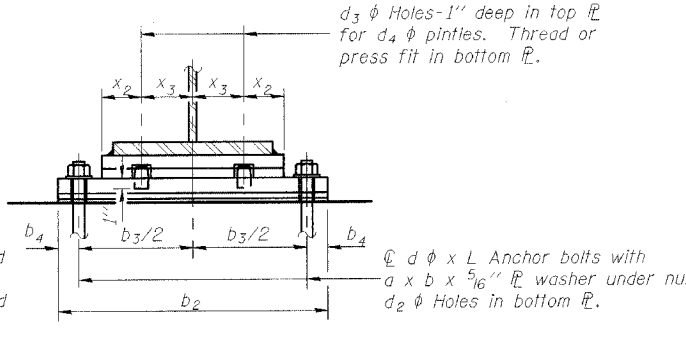
ELEVATION AT S. ABUT. AND PIER 4 S.



SECTION A-A



ELEVATION AT PIER

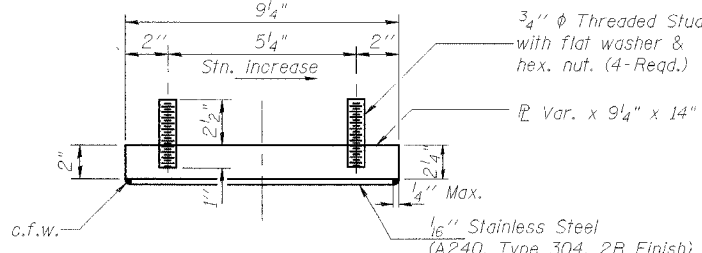


SECTION B-B

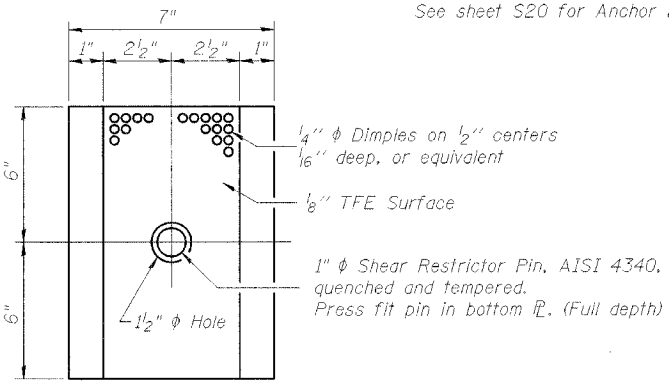
TYPE III ELASTOMERIC EXP. BRG.

Notes: Anchor bolts at fixed bearings may be built into the masonry.
See sheet S20 for Anchor Bolt installation.

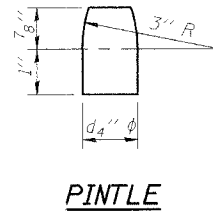
FIXED BEARING



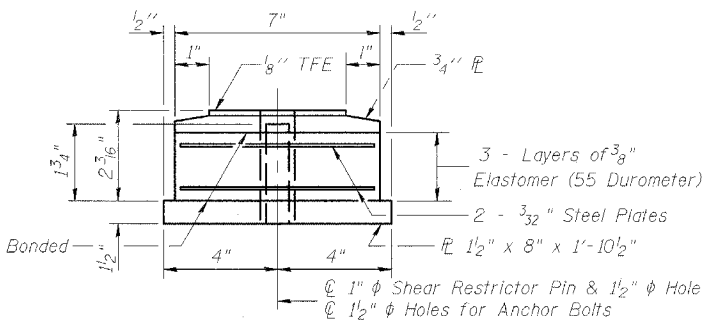
TOP BEARING ASSEMBLY



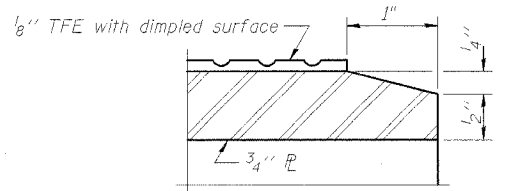
PLAN-TFE ELASTOMERIC BRG.



PINTLE



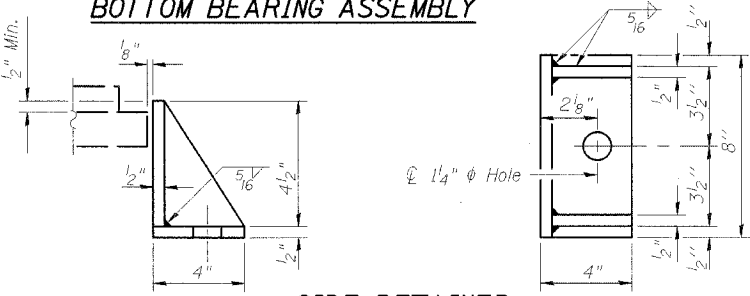
BOTTOM BEARING ASSEMBLY



SECTION THRU TFE

Note: The 1/8" TFE sheet shall be bonded directly to the top steel plate with a two-component, medium viscosity epoxy resin, conforming to the requirements of the Federal Specification MMM-A-134, Type I. The bond agent shall be applied on the full area of the contact surfaces.

Bonding of 1/8" TFE sheet during vulcanizing process will be permitted provided the process and method of adjusting assembly height is approved by the Engineer.



SIDE RETAINER

Equivalent rolled angle with stiffeners will be allowed in lieu of welded plates. Weight included with Structural Steel.

FIXED BEARINGS TABLE OF DIMENSIONS

Location	No.	a1	b1	t1	t2	t	a2	b2	t3	b3	b4	d	l	a	b	d2	d3	d4	x2	x3
Pier 2	2	9	13	2	2 5/16	Varies	10	24	2	17	3 1/2	2	24	3 1/2	3 1/2	2 1/2	1 1/2	1 3/8	3 1/2	3
Pier 6	2	9	17	2 5/16	2	Varies	9	24 1/2	2	21	1 3/4	1 1/4	15	2 3/4	2 3/4	1 3/4	1 3/8	1 1/4	4 1/2	4
Pier 9	2	9	13	2 5/16	2	Varies	9	20 1/2	2	17	1 3/4	1 1/4	15	2 3/4	2 3/4	1 3/4	1 3/8	1 1/4	3 1/2	3

NOTES:

- All dimensions in tables are in inch units unless otherwise noted.
- For details of Type I and Type II Bearings see sheet S16.
- All bearings shall be blocked during construction.
- For bearings Pier 4N and Pier 5S see Prefabricated Bridge Fabricator's plans.

PREPARED FOR: WHEATON PARK DISTRICT 666 S. MAIN STREET WHEATON, ILLINOIS 60187	PREPARED BY: CEMCON, Ltd. Consulting Engineers, Land Surveyors & Planners 2280 White Oak Circle, Suite 100 Aurora, Illinois 60504-9675 Ph: 630.862.2100 Fax: 630.862.2199 E-Mail: cadd@cemcon.com Website: www.cemcon.com	REVISIONS				BEARING DETAILS TYPE III & FIXED BEARINGS									
		NO.	DATE	DESCRIPTION	NO.	DATE	DESCRIPTION	PEDESTRIAN/BICYCLE PATH BRIDGE OVER UNION PACIFIC RAILROAD							
						FILE NAME: BEARINGS		DSGN. BY: MMH		JOB NO.: 551.007		FLD. BK./PG.: -----		SHEET NO.	
						DISC. NUMBER: 551007		DRN. BY: RDS		DATE: 04-26-04		SCALE: -----		30 of 54	