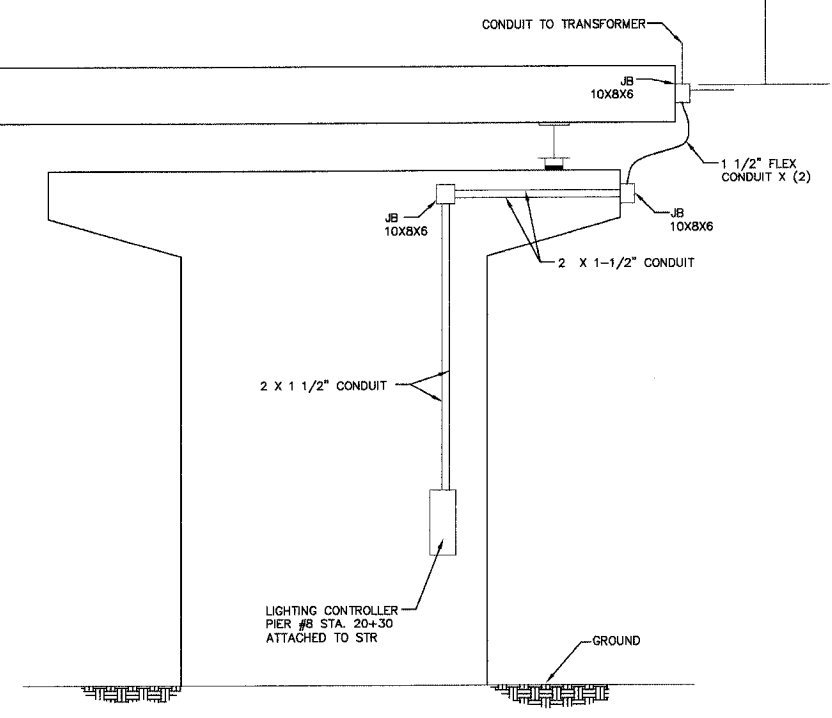
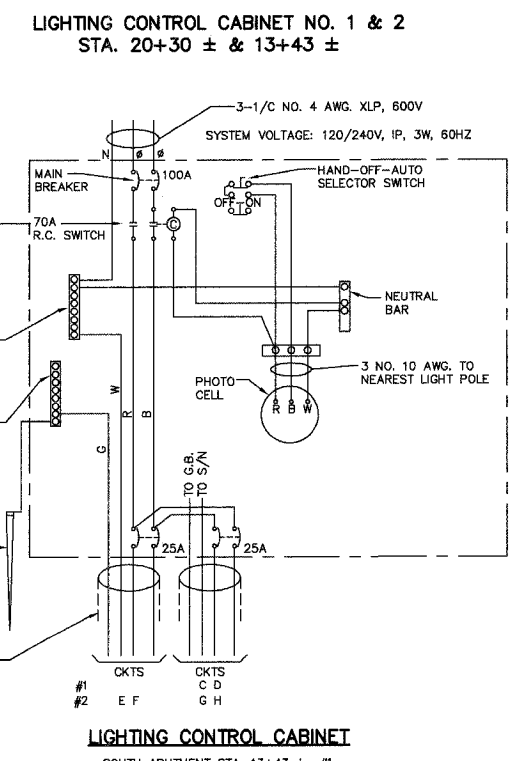


ALL ELECTRIC CONDUIT WIRING, TRANSFORMERS, JUNCTION BOXES, COLD CATHODE LIGHTING SYSTEM, ETC. ABOVE THE INDICATED JB, SHALL BE INCLUDED IN THE LUMP SUM PRICE FOR "SUPPLY AND INSTALL COLD CATHODE LIGHTING SYSTEM." CONTRACTOR SHALL SUPPLY SHOP DRAWINGS FOR APPROVAL.



THE COLD CATHODE LIGHTING SYSTEM IS TO BE MOUNTED ON THE WESTERLY AND NORTHERLY SIDE OF THE PEDESTRIAN OVERPASS STA. 9+50 TO STA. 22+33

- NOTES:**
- LIGHT COLOR TEMPERATURE SHALL BE DAYLIGHT APPROVAL BY THE ENGINEER.
 - ALL EXTERIOR METAL SURFACES SHALL BE SANDED AND ETCH PRIMED AND SHALL HAVE TWO COATS OF EPOXY PAINT. COLOR TO BE APPROVED BY THE ENGINEER.
 - BEFORE FABRICATION THE CONTRACTOR SHALL SUBMIT SHOP DRAWING FOR ALL ELECTRICAL AND STRUCTURAL WORK SEALED BY ILLINOIS REGISTERED ENGINEERS FOR APPROVAL BY THE ENGINEER.
 - SHOP DRAWINGS REQUIRED FOR ALL LIGHTING COMPONENTS COLD CATHODE MANUFACTURER MUST BE U.L. CERTIFIED AS A MANUFACTURER FOR ELECTRIC DISCHARGE LIGHTING. ALL ELECTRICAL COMPONENTS USED IN THE LIGHTING SYSTEM MUST BE LISTED BY A RECOGNIZED TESTING LABORATORY SUCH AS U.L. AND APPROVED BY THE ENGINEER.
 - FINAL LOCATIONS OF JUNCTION BOXES TO BE COORDINATED WITH LIGHTING MANUFACTURER.

PREPARED FOR:
WHEATON PARK DISTRICT
666 S. MAIN STREET
WHEATON, ILLINOIS 60187

PREPARED BY:
CEMCON, Ltd.
Consulting Engineers, Land Surveyors & Planners
2280 White Oak Circle, Suite 100
Aurora, Illinois 60504-9875
Ph: 630.862.2100 Fax: 630.862.2199
E-Mail: cadd@cemcon.com Website: www.cemcon.com

NO.		DATE		DESCRIPTION	

ELECTRICAL DETAILS				
PEDESTRIAN/BICYCLE PATH BRIDGE OVER UNION PACIFIC RAILROAD				
FILE NAME: DETAILS	DSGN. BY: JAC/KK	JOB NO.: 551.007	FLD. BK./PG.: -----	SHEET NO.
DISC. NUMBER: 551007	DRN. BY: MD	DATE: 04-26-04	SCALE: 1" = -----	53A of 54