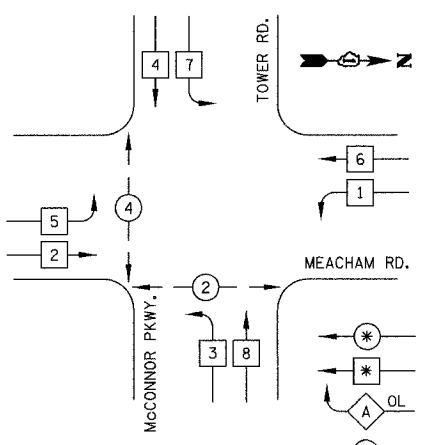
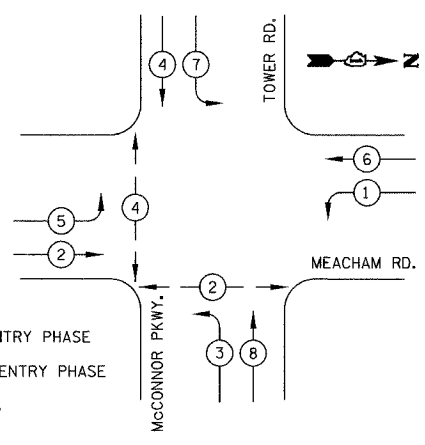


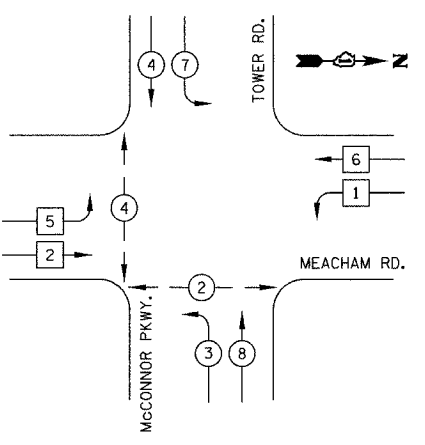
TEMPORARY CONTROLLER SEQUENCE
EXISTING PHASING, M.O.T. STAGE I, AND FINAL PHASING



TEMPORARY CONTROLLER SEQUENCE
M.O.T. STAGE II-B THRU M.O.T. STAGE III-B



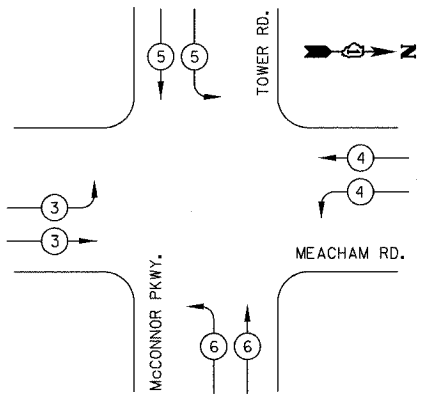
TEMPORARY CONTROLLER SEQUENCE
M.O.T. STAGE IV



LEGEND
 * DUAL ENTRY PHASE
 * SINGLE ENTRY PHASE
 OL OVERLAP
 * PEDESTRIAN PHASE
 * NUMBER REFERS TO ASSOCIATED PHASE

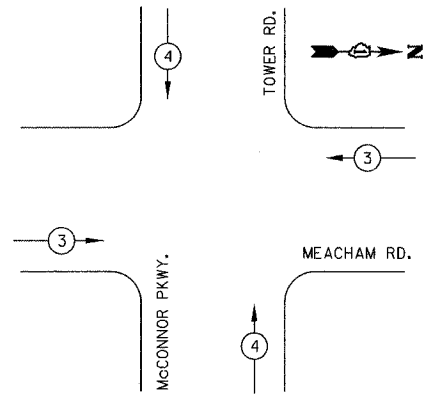
TEMPORARY PHASE DESIGNATION DIAGRAM

TEMPORARY EMERGENCY VEHICLE PREEMPTION SEQUENCE
EXISTING PHASING, M.O.T. STAGE I, AND FINAL PHASING



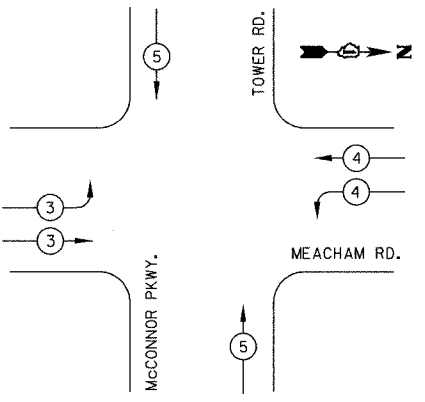
TEMPORARY PHASE DESIGNATION DIAGRAM

TEMPORARY EMERGENCY VEHICLE PREEMPTION SEQUENCE
M.O.T. STAGE II-B THRU M.O.T. STAGE III-B



TEMPORARY PHASE DESIGNATION DIAGRAM

TEMPORARY EMERGENCY VEHICLE PREEMPTION SEQUENCE
M.O.T. STAGE IV



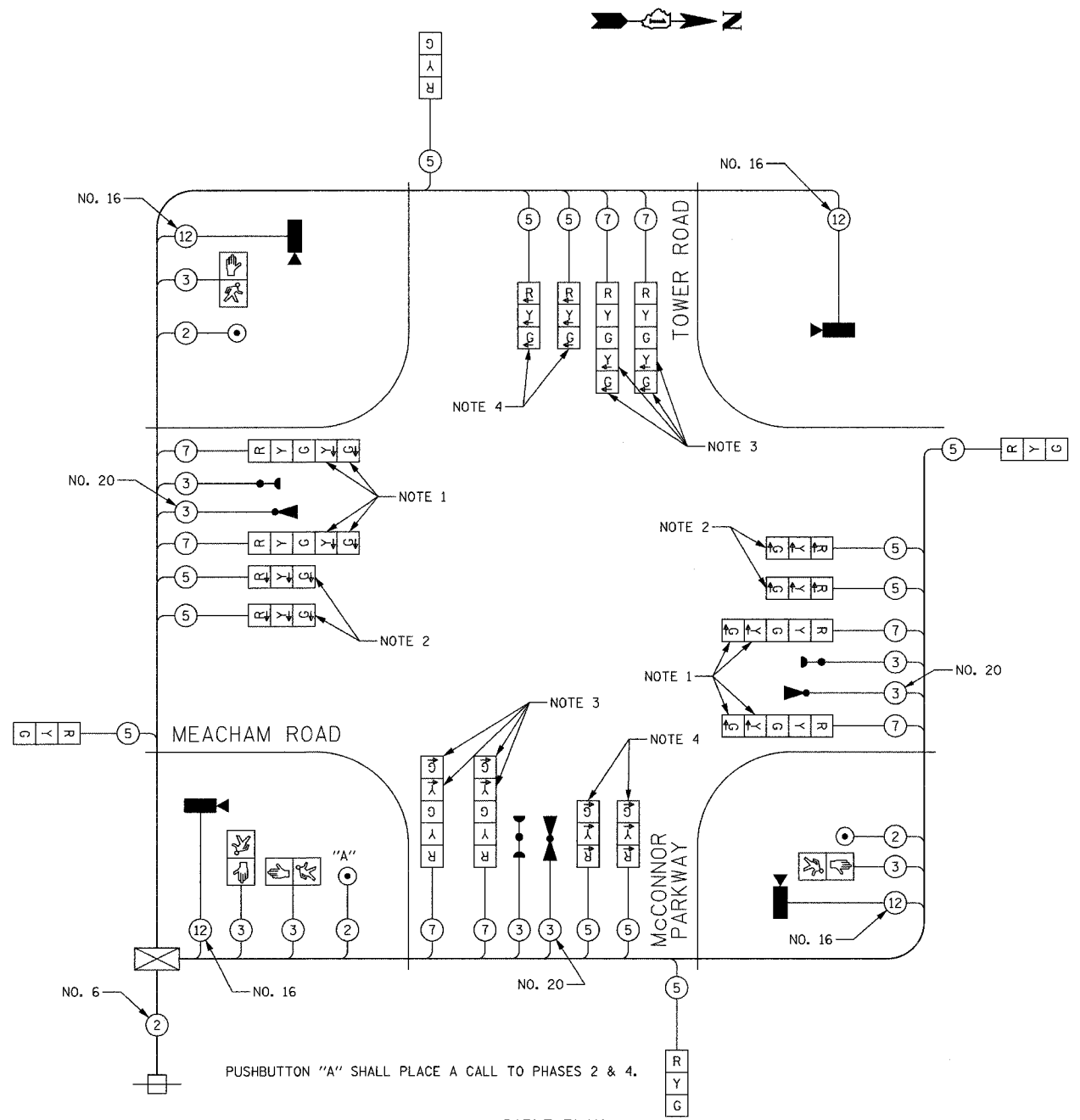
PROPOSED EMERGENCY VEHICLE PREEMPTORS				
EMERGENCY VEHICLE PREEMPTOR	3	4	5	6
MOVEMENT				

PROPOSED EMERGENCY VEHICLE PREEMPTORS		
EMERGENCY VEHICLE PREEMPTOR	3	4
MOVEMENT		

PROPOSED EMERGENCY VEHICLE PREEMPTORS			
EMERGENCY VEHICLE PREEMPTOR	3	4	5
MOVEMENT			

TEMPORARY CABLE PLAN LEGEND

- TEMPORARY TRAFFIC SIGNAL SECTION OR PEDESTRIAN SIGNAL SECTION 12" (300mm)
- CONTROLLER CABINET
- SERVICE INSTALLATION
- INDICATES NUMBER OF CONDUCTORS IN CABLE. ALL CONDUCTORS TO BE NUMBER 14 AWG WIRE UNLESS OTHERWISE NOTED
- CONFIRMATION BEACON
- EMERGENCY VEHICLE LIGHT DETECTOR
- VEHICLE DETECTOR, INDUCTION LOOP
- PEDESTRIAN PUSHBUTTON DETECTOR
- 12" (300mm) PEDESTRIAN SIGNAL SECTION
- TELEPHONE CONNECTION
- PROPOSED IMAGE SENSOR



CABLE PLAN
NOT TO SCALE

NOTE:
THE TRAFFIC SIGNAL CONTROLLER EQUIPMENT FOR THIS PROJECT SHALL BE "ECONOLITE" TO MATCH THE EXISTING ADJACENT SYSTEM.

I.D.O.T. TRAFFIC SIGNAL INSTALLATION ELECTRICAL SERVICE REQUIREMENTS				TOTAL WATTAGE
TYPE	NO. LAMPS	WATTAGE INCAND. LED	% OPERATION	
SIGNAL (RED)	20	135	0.50	1350
(YELLOW)	12	135	0.25	405
(GREEN)	12	135	0.25	405
ARROW	16	135	0.10	216
PED SIGNAL	4	90	1.00	360
CONTROLLER	1	100	1.00	100
VIDEO SYSTEMS	1	150	1.00	150
FLASHER				0.50
TOTAL =				2986

ENERGY COSTS TO: VILLAGE OF SCHAUMBURG
101 SCHAUMBURG COURT
SCHAUMBURG, IL 60197-1899

ENERGY SUPPLY: CONTACT: SAM THOMAS
PHONE: 630-891-7118
COMPANY: COM ED

REVISIONS	
NAME	DATE

ILLINOIS DEPARTMENT OF TRANSPORTATION

TEMPORARY CABLE PLAN AND TEMPORARY PHASE DESIGNATION DIAGRAM

MEACHAM ROAD & TOWER ROAD / McCONNOR PARKWAY

NOT TO SCALE
DATE 12/20/04

DESIGNED BY JJE
CHECKED BY KMM