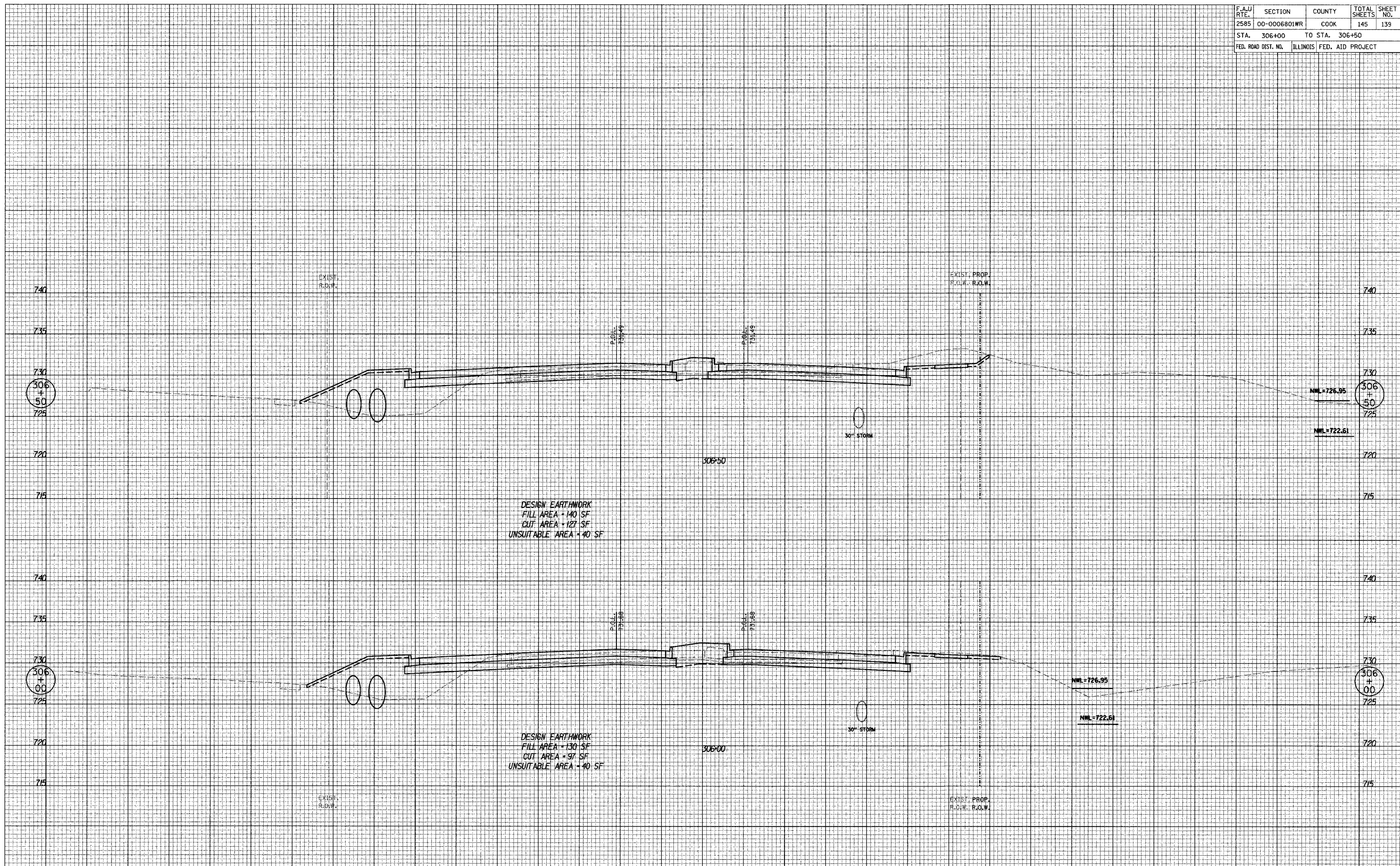


150 140 130 120 110 100 90 80 70 60 50 40 30 20 10 0 10 20 30 40 50 60 70 80 90 100 110 120 130 140 150 160

F.A.U. RTE.	SECTION	COUNTY	TOTAL SHEETS	SHEET NO.
2585	00-0006801WR	COOK	145	139
STA. 306+00		TO STA. 306+50		
FED. ROAD DIST. NO.	ILLINOIS FED. AID PROJECT			



150 140 130 120 110 100 90 80 70 60 50 40 30 20 10 0 10 20 30 40 50 60 70 80 90 100 110 120 130 140 150 160