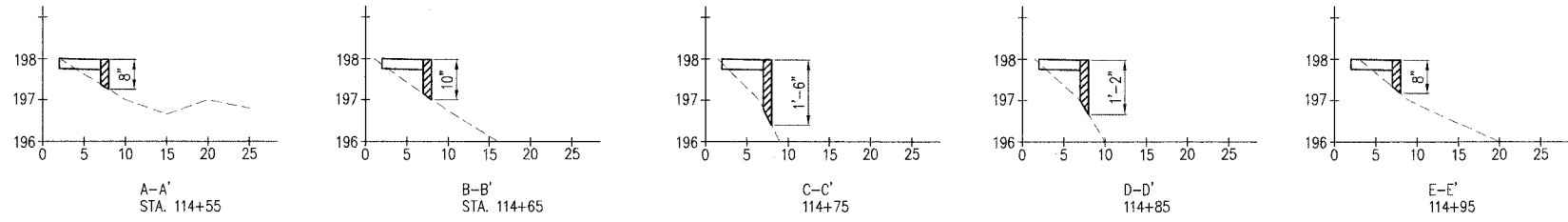
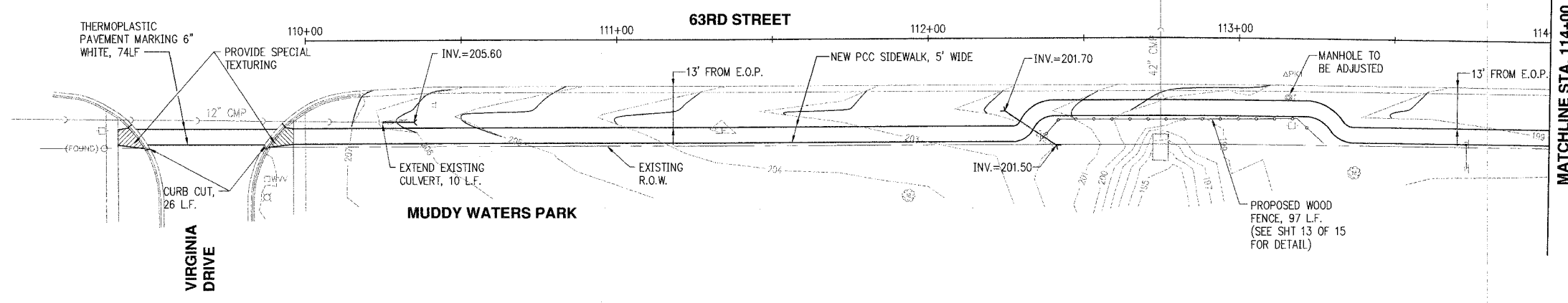
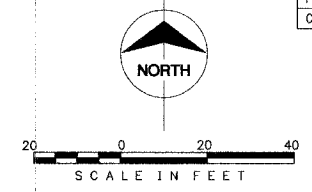


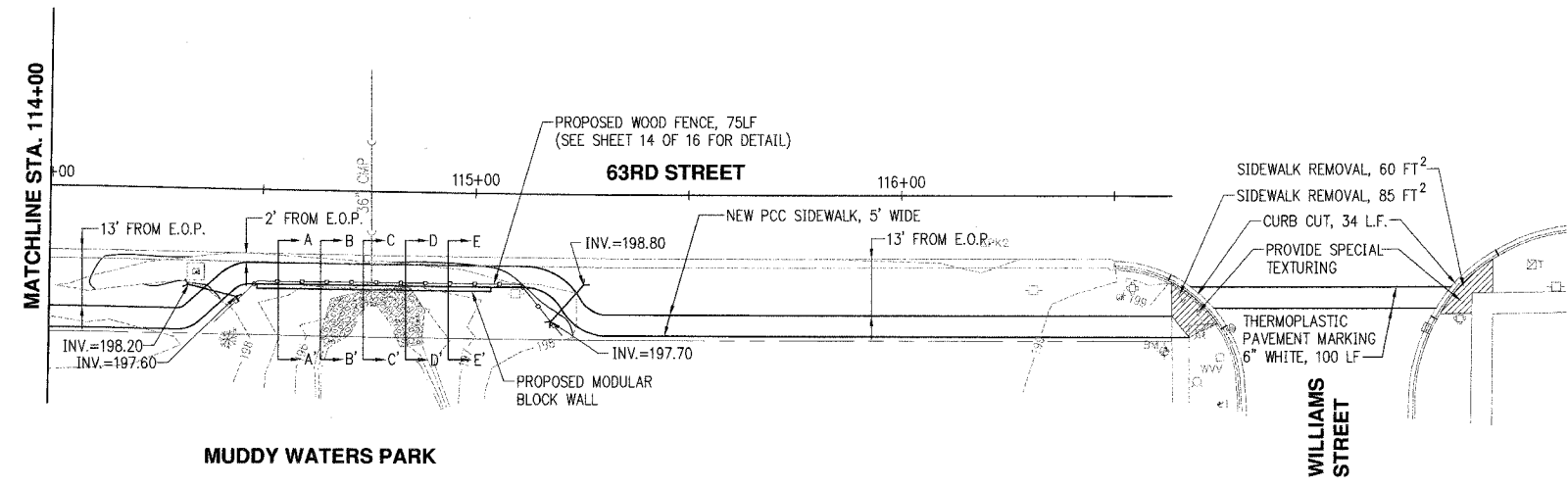
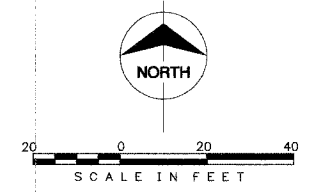
1 2 3 4 5 6 7 8 9 10 11 12 13 14

F.A.P. RTE.	SECTION	COUNTY	TOTAL SHEETS	SHEET NO.
0311	03-00090-00-SW	DU PAGE	-	4
FEDERAL RD. DIST. NO.	ILLINOIS FEDERAL AID PROJECT			
CONTRACT: 83787				



SEE MODULAR BLOCK WALL TYPICAL SECTION DETAIL

EXISTING GRADE
 PROPOSED SIDEWALK
 PROPOSED MODULAR BLOCK WALL OR SIMILAR RETAINING WALL



Scale For Microfilming
 Millimeters
 Inches

COPYRIGHT © 2003 BURNS AND MCDONNELL ENGINEERING COMPANY, INC.



date 12/18/03 detailed J. HOLZINGER
 designed A. BRYANT checked



VILLAGE OF WESTMONT
 2003 CMAQ SIDEWALK
 63RD STREET
 VIRGINIA DRIVE TO WILLIAMS STREET
 project 35309 contract
 drawing rev. **0**
 sheet 4 of 16 sheets
 file I:\WESTMONT\35309 2003 CMAQ SIDEWALK\CAD\BID\63RD_WLL