

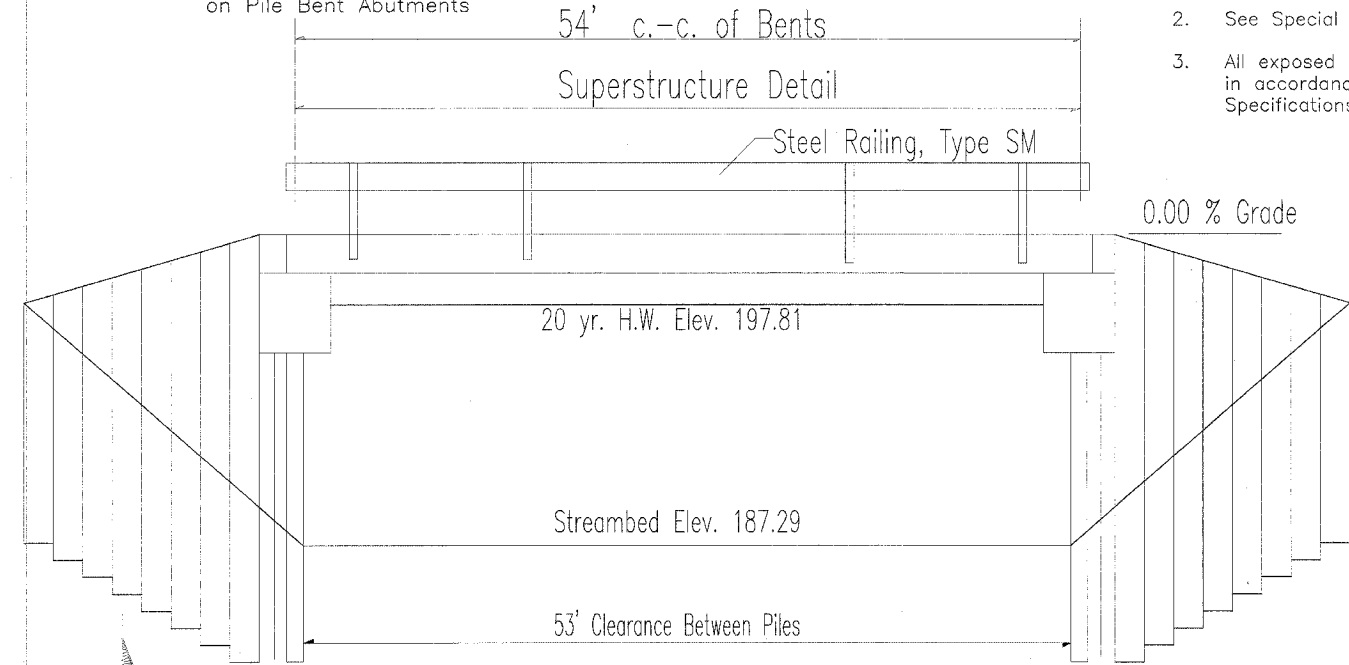
BM: 60d Spk in PP RT, STA 9+04 EL 200.00
 BM: 60d Spk in PP RT, STA 10+94 EL 10+94

Existing Structure: Steel Beams with Conc Deck on Pile Bent Abutments

GENERAL NOTES:

1. The Contractor shall drive (1) test pile, as specified in a permanent location as directed by the Engineer before ordering the remaining piles.
2. See Special Provisions for boring logs.
3. All exposed portions of the structural steel & sheet piling shall be painted in accordance with the applicable portions of section 506 of the Standard Specifications and the Special Provisions. Color shall be reddish brown.

SHEET 9 OF 17
 PILE DATA (2 ABUTMENTS)
 Type Concrete
 Capacity 35 Tons
 Estimated Length 25 Feet
 Number Required 10 (includes one test pile located in Bent No. 1)

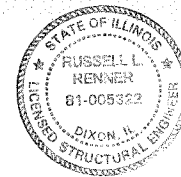


ELEVATION

I certify that to the best of my knowledge, information and belief, this bridge design is structurally adequate for the design loading shown on the plans. The design is an economical one for the style of structure and complies with the requirements of the current "AASHTO Standard Specifications for Highway Bridges."

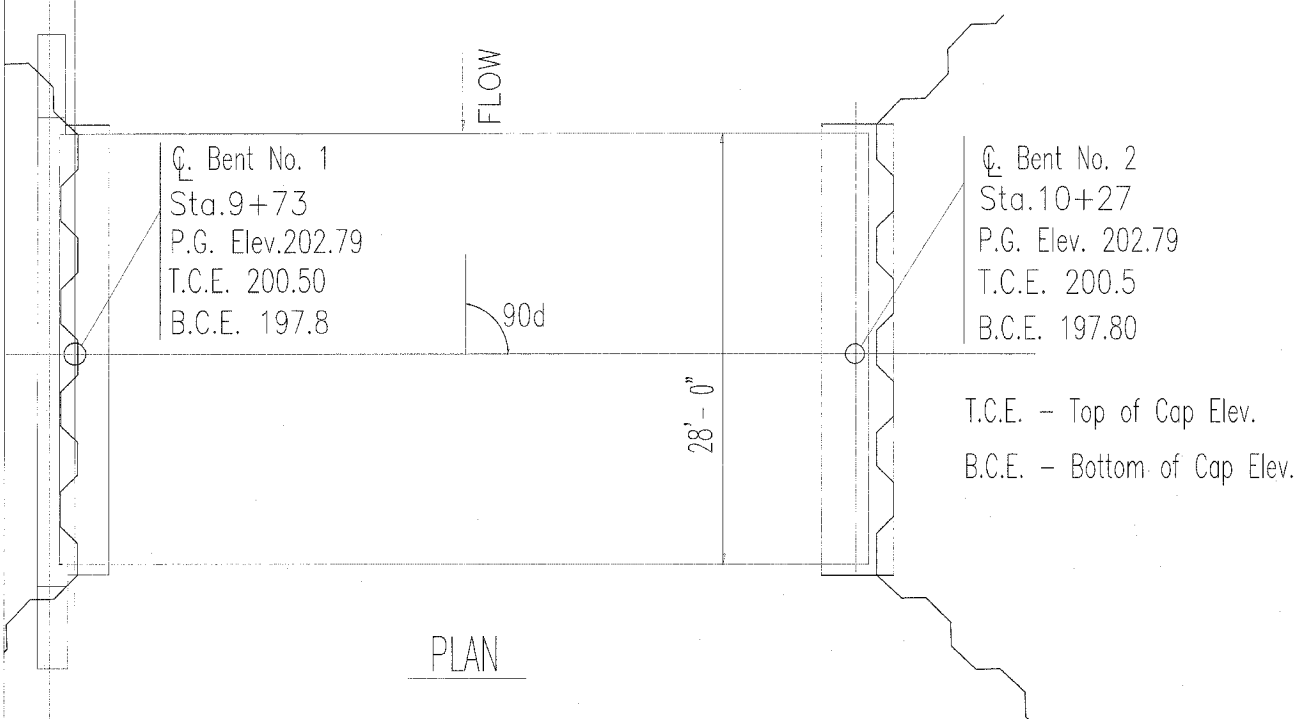
Russell L. Renner

Russell L. Renner
 Illinois Licensed Structural Engineer Number 081-005322
 License Expires 11/30/2006



STATION 10+00
 THREE MILE BRANCH
 SEC. 03-00284-00-BR
 BUILT 2005 BY LEE COUNTY
 LOADING HS 20
 STR. NO. 052-3491

LETTERING FOR NAME PLATE
 Locate Name Plate at Northwest
 Corner of Bridge



PLAN

BILL OF MATERIALS

Code Number	Item	Units	Super	Sub Piers	Sub Abut	Total
20300100	Channel Excavation	Cu Yd				40
50100100	Removal of Existing Structure	Each			1	1
50300225	Concrete Structures	Cu Yd			20.6	20.6
50400505	PP Conc Dk Bm, 27" Dp	Sq Ft	1540			1540
50500405	Furnishing and Erecting Structural Steel	Pound			3304	3304
△ 50700305	Hardware	Pound			636	636
50800105	Reinforcement Bars	Pound			1776	1776
50901005	Steel Railings	Foot	110			110
51201000	Furnishing Metal Pile Shells, 12"	Foot			225	225
51202600	Driving and Filling Shells	Foot			225	225
51204200	Test Pile, Concrete	Each			1	1
X5121800	Perm Steel Snt Piling	Sq Ft			4073	4073
51500100	Name Plate	Each			1	1
* 58100200	Waterproofing Membrane System	Sq Yd	177			177

△ Revised 3-2-05
 * Revised 2/23/05

WATERWAY INFORMATION

Drainage Area = 18.7 sq. mi. Low Grade Elev. = 201.69 @ Sta. 13+00

Flood	Freq. Yr.	Q CFS	Opening SF		Nat. Hwe	Head - Ft		Headwater El	
			Exist	Prop		Exist	Prop	Exist	Prop
Design	20	2079	493	542	197.71	0.0	0.0	197.74	197.81
Base	100	3002	550	608	199.34	0.0	0.0	198.98	199.09
Overtopping									
Max. Calc.									

GENERAL PLAN AND ELEVATION

SEC. 03-00284-00-BR

BUILT 2005, LEE COUNTY

STATION 10+00, THREE MILE BRANCH