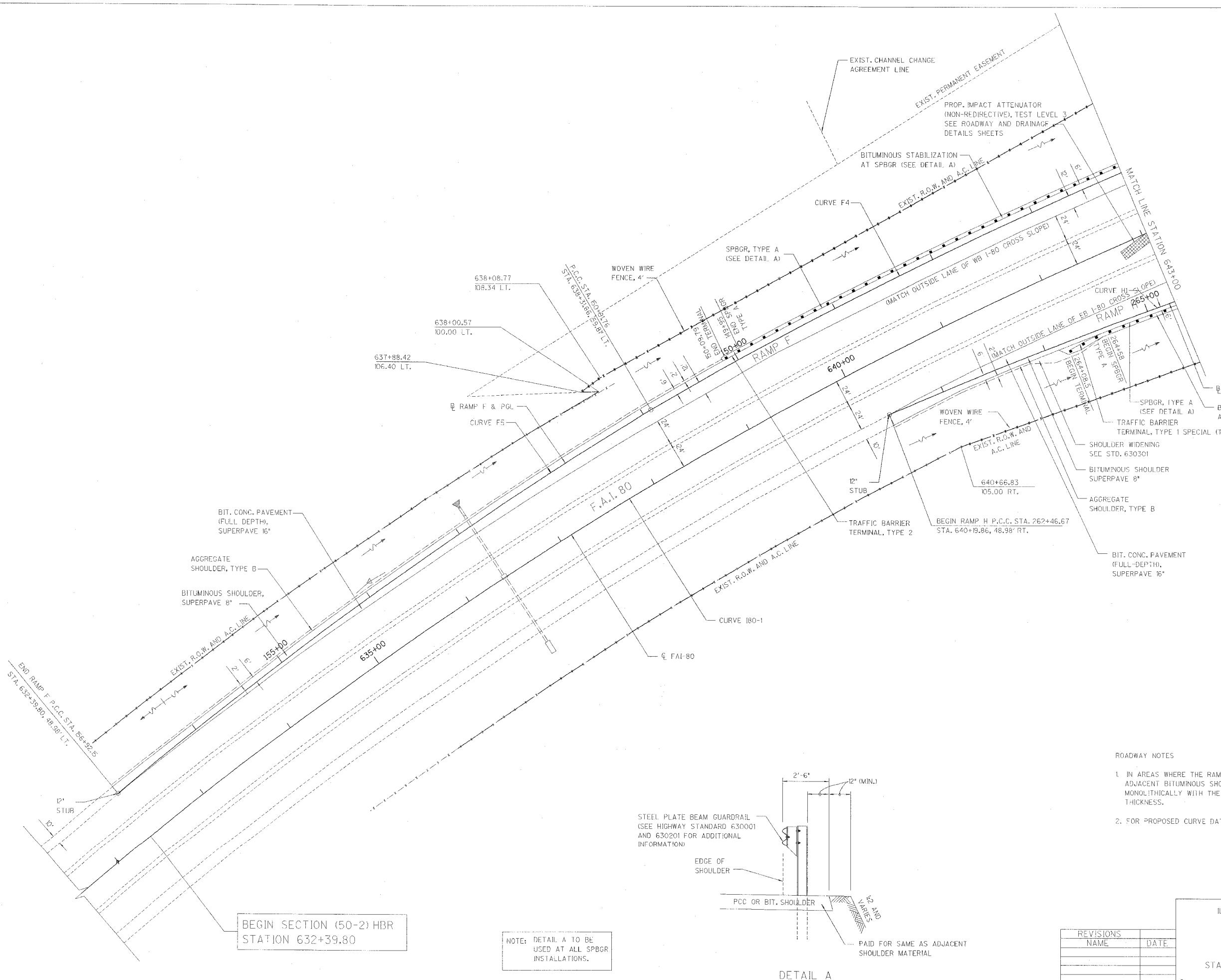


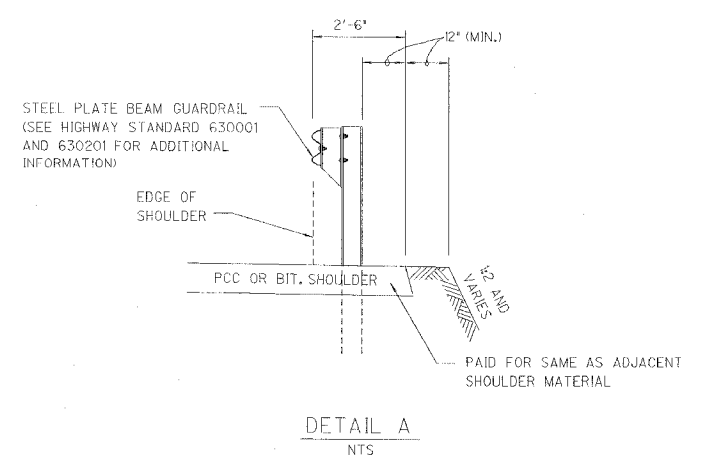
RTE.	SECTION	COUNTY	TOTAL SHEETS	SHEET NO.
FAI 80	(50-2)HBR	LA SALLE	460	39
STA. 632+39.80		TO STA. 643+00		
FED. ROAD DIST. NO.	ILLINOIS	FED. AID PROJECT		

CONTRACT NO. 86603



BEGIN SECTION (50-2) HBR
STATION 632+39.80

NOTE: DETAIL A TO BE
USED AT ALL SPBGR
INSTALLATIONS.



- ROADWAY NOTES
1. IN AREAS WHERE THE RAMP WIDTH IS LESS THAN 4', THE ADJACENT BITUMINOUS SHOULDER SHALL BE CONSTRUCTED MONOLITHICALLY WITH THE RAMP PAVEMENT AND AT FULL PAVEMENT THICKNESS.
 2. FOR PROPOSED CURVE DATA, SEE ROADWAY ALIGNMENT SHEET.

REVISIONS	NAME	DATE

ILLINOIS DEPARTMENT OF TRANSPORTATION

ROADWAY PLAN

F.A.I. 80 AT ILLINOIS ROUTE 351
STATION 632+39.80 TO STATION 643+00

DATE: 09/04
DRAWN BY: JDK
CHECKED BY: MTD

SCALE IN FEET: 0, 40, 80