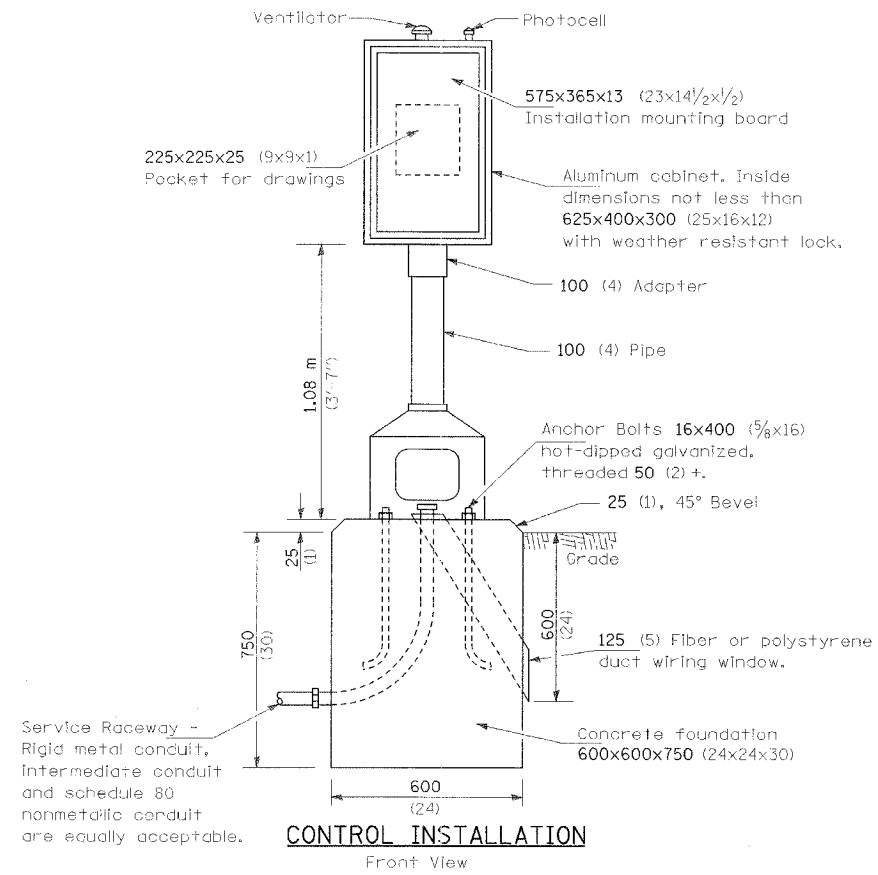
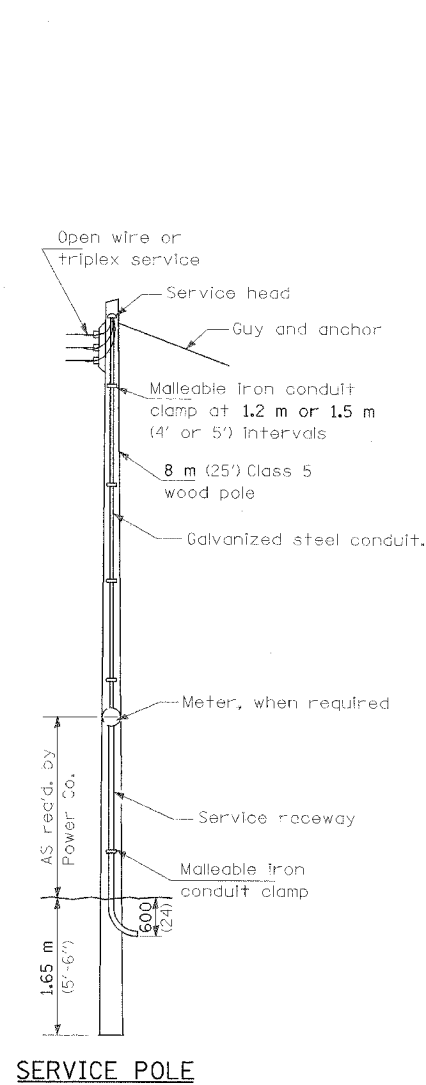
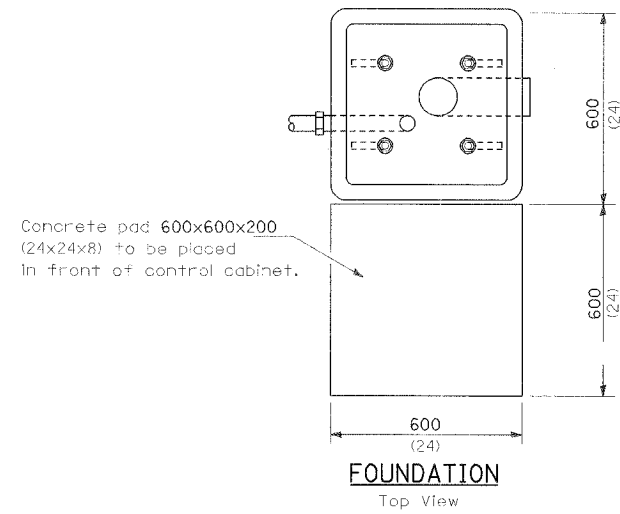


RTE.	SECTION	COUNTY	TOTAL SHEETS	SHEET NO.
FA180	(50-2)HBR	LA SALLE	440	110
STA.		TO STA.		
FED. ROAD DIST. NO.		ILLINOIS FED. AID PROJECT		

CONTRACT NO. 86603

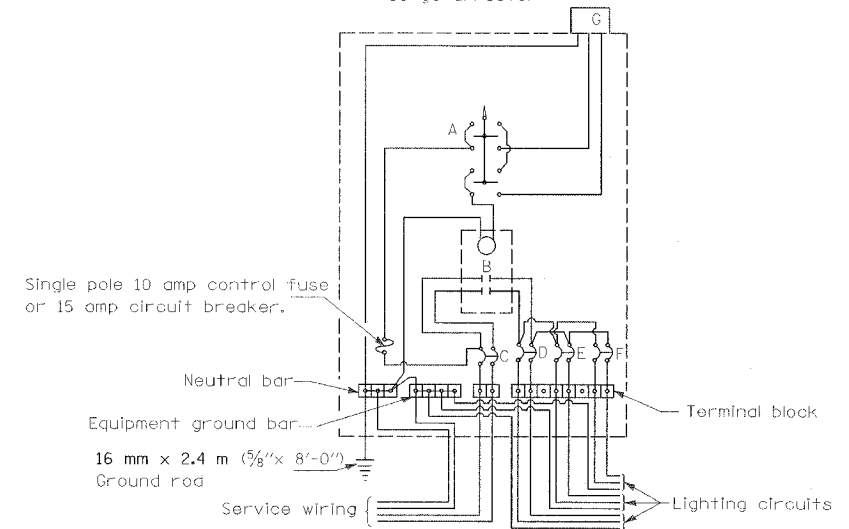


CONTROL INSTALLATION
Front View



FOUNDATION
Top View

- A Selector switch
- B 2 Pole 60 amp contactor
- C 2 Pole 60 amp service disconnect
- D,E,F 2 Pole 30 amp breakers
- G Photocell w/integral surge arrester



WIRING DIAGRAM

GENERAL NOTES

Locate service pole and control installation adjacent to R.O.W. line with a minimum distance of 9 m (30') from the edge of pavement. Exact location shall be established by the Engineer.

The underground service entrance wiring shall not exceed 46 m (150'). Total aerial and underground service between the control installation and primary transformer shall not exceed 76 m (250').

For 480 V. systems, a 480/120 V. control transformer will be required.

- 240 V. SERVICE
- 480 V. SERVICE

All dimensions are in millimeters unless otherwise shown.

REVISIONS	NAME

ILLINOIS DEPARTMENT OF TRANSPORTATION

CONTROL INSTALLATIONS

F.A.I. 80 AT ILLINOIS ROUTE 351

SCALE: NONE
DATE: 09/04

DRAWN BY: JOK
CHECKED BY: MTD