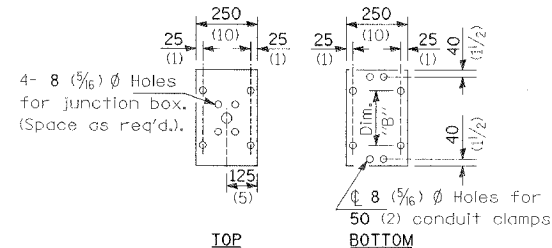
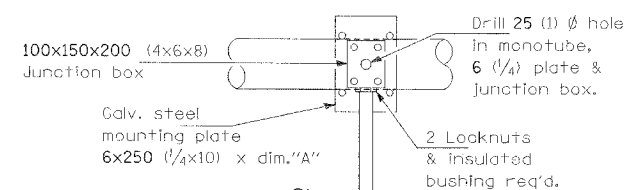
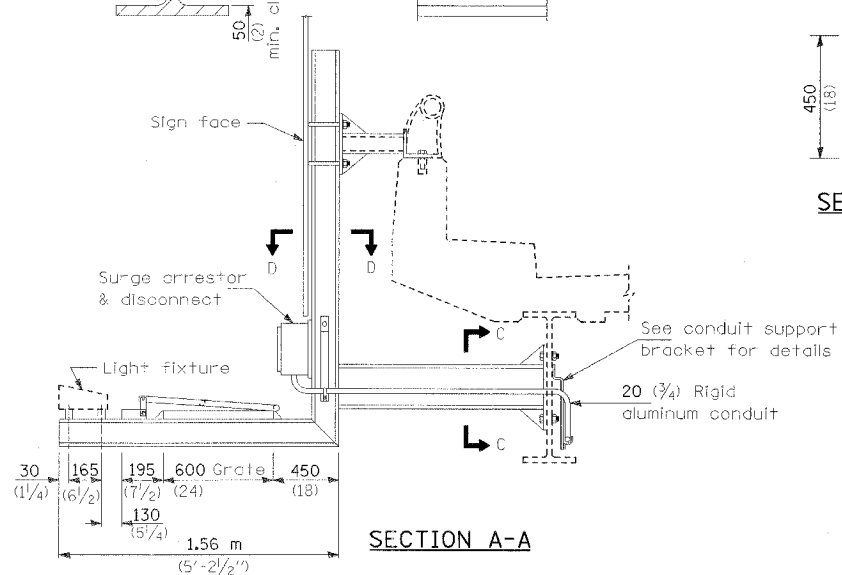
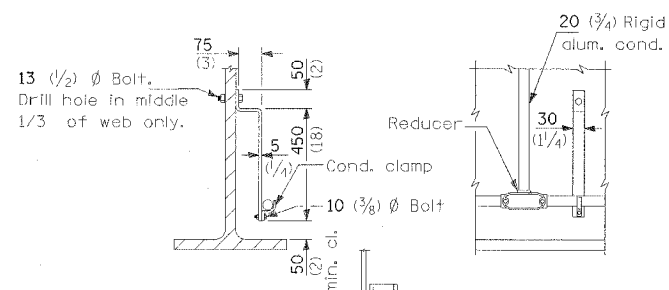
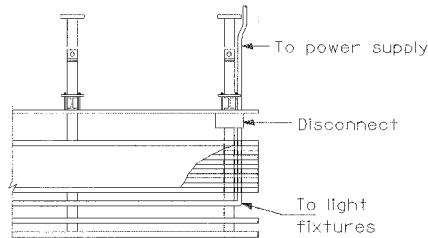
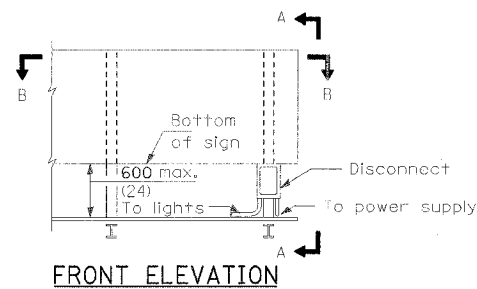
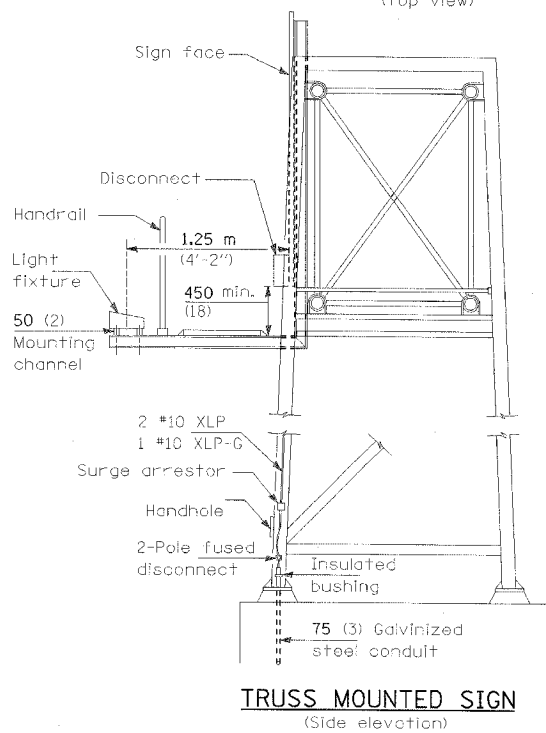
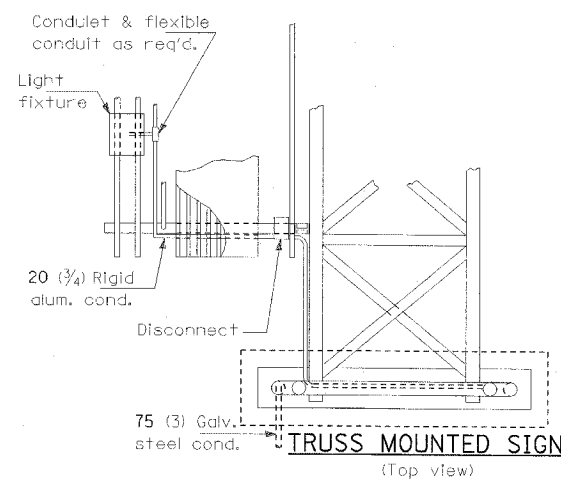


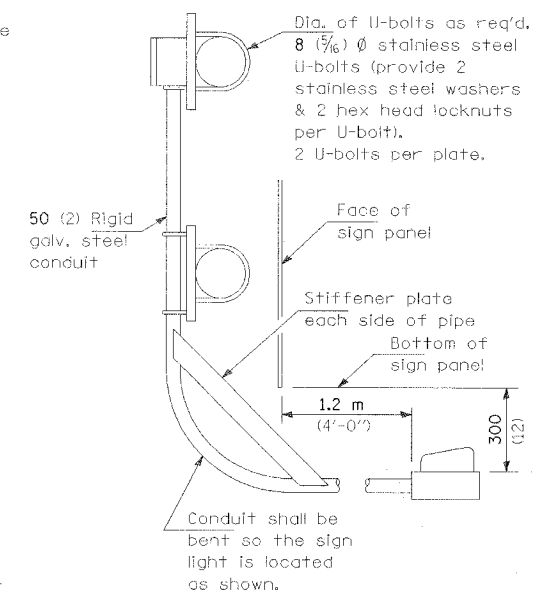
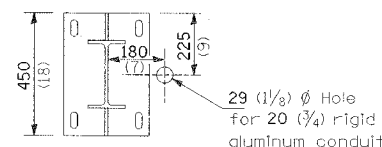
RTE.	SECTION	COUNTY	TOTAL SHEETS	SHEET NO.
FA180	150-21HBR	LA SALLE	460	112
STA.		TO STA.		
FED. ROAD DIST. NO.		ILLINOIS FED. AID PROJECT		

**CONTRACT NO. 86603**

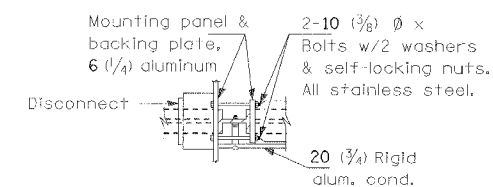


Dimension "A" = monotube dia. + 200 (8)  
Dimension "B" = monotube dia. + 10 (3/8)

**MOUNTING PLATES**



**TWIN MONOTUBE**



**SECTION D-D**

**GENERAL NOTES**

- All sign lighting fixtures shall have a minimum of 3 mounting points.
- All mounting hardware shall be stainless steel.
- All dimensions are in millimeters unless otherwise shown.

REVISIONS	NAME

ILLINOIS DEPARTMENT OF TRANSPORTATION

**SIGN LIGHTING DETAILS**

F.A.I. 80 AT ILLINOIS ROUTE 351

SCALE: NONE  
DATE: 09/04

DRAWN BY: JDK  
CHECKED BY: MTD