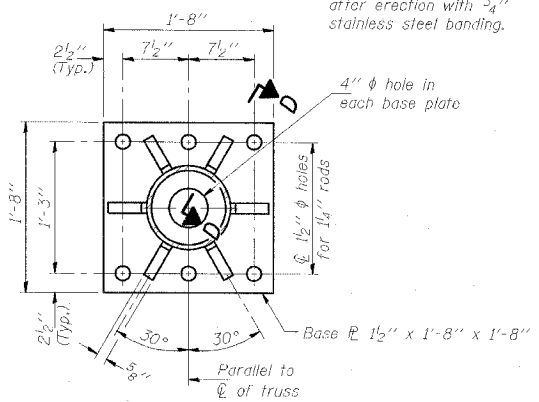


**DETAIL B**

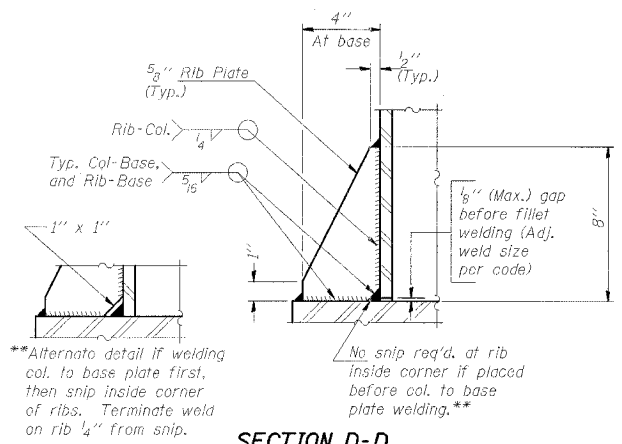
Hexagon locknut and washer (top), leveling nut and washer (bottom). Galvanize per AASHTO M232. Nuts shall each be tightened against base plate with 200 lb.-ft. minimum torque.

Ribs shall be cut to fit slope of pipe.

Stainless Steel Standard Grade Wire Cloth, 3" wide, 1/4" maximum opening with a minimum wire diameter of AWG. No. 16 with a minimum 2" lap. Secure to base plate after erection with 3/4" stainless steel banding.



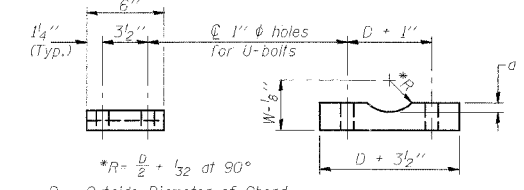
**SECTION B-B**



**SECTION D-D**

1" x 1" Alternato detail if welding col. to base plate first, then snip inside corner of ribs. Terminate weld on rib 1/4" from snip.

No snip req'd. at rib inside corner if placed before col. to base plate welding.

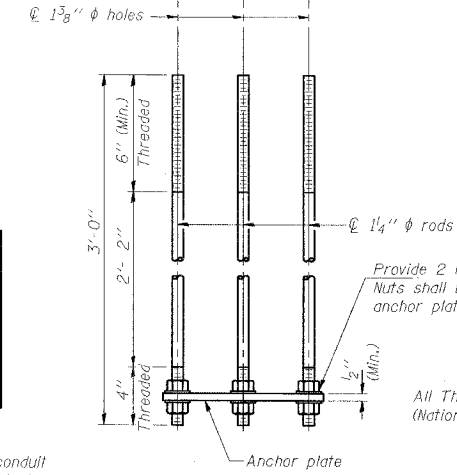
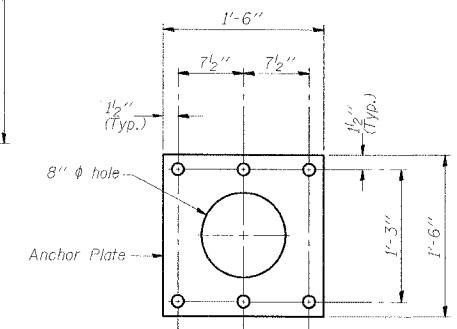


**SADDLE SHIM DETAIL**

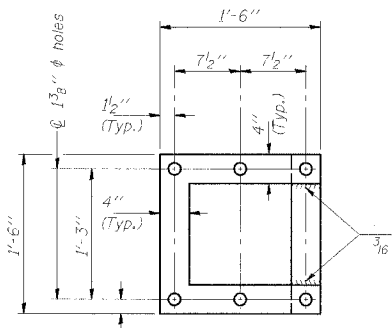
\*R =  $\frac{D}{2} + \frac{1}{32}$  at 90°  
D = Outside Diameter of Chord.  
For W, see Base Sheet OS-A-5.

ASTM B26 Alloy 356-F  
or  
ASTM B209 Alloy 6061-T651  
(4 required per sign truss)

Truss Chord Nominal Dia.	a
5"	3 1/2"
5 1/2"	4 1/8"
6"	4 7/8"
6 1/2"	5 1/8"
7"	6"



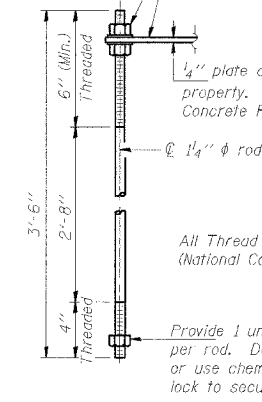
**ANCHOR ROD DETAIL**  
Spread Footing Foundation



**POSITIONING PLATE(S)**

Optionally may use four (4) separate bars. Weld to maintain perpendicularity.

At each location, provide 1/4" thick positioning plate(s) and six (6) additional nuts to be used with leveling nuts to maintain anchor bolts position during concrete placement.

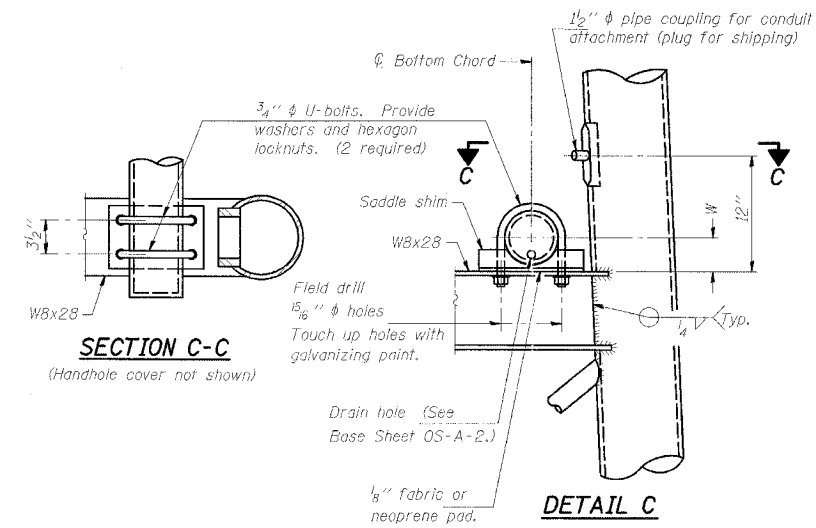


**ANCHOR ROD DETAIL**  
Drilled Shaft Foundation

Anchor rods shall conform to AASHTO M314 Grade 36 or 50 and meet Charpy V-Notch (CVN) energy of 15 lb.-ft. at 40° F. Galvanize upper 12" per AASHTO M232. No welding shall be permitted on rods.

**10" Ø PIPE SUPPORT FRAME DETAILS**

NUMBER	REVISION	DATE



**SECTION C-C**  
(Handhole cover not shown)

**DETAIL C**

REVISIONS	NAME

ILLINOIS DEPARTMENT OF TRANSPORTATION  
**OVERHEAD SIGN STRUCTURES**  
**SUPPORT FRAME DETAILS**  
**ALUMINUM TRUSS**

3S0501080R076.4, STATION 643+14  
3S0501080L077.0, STATION 674+70

SCALE: NONE DRAWN BY: MES  
DATE: 09/04 CHECKED BY: MTD/FMA