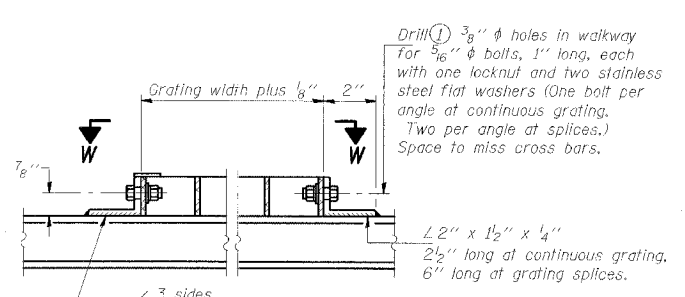
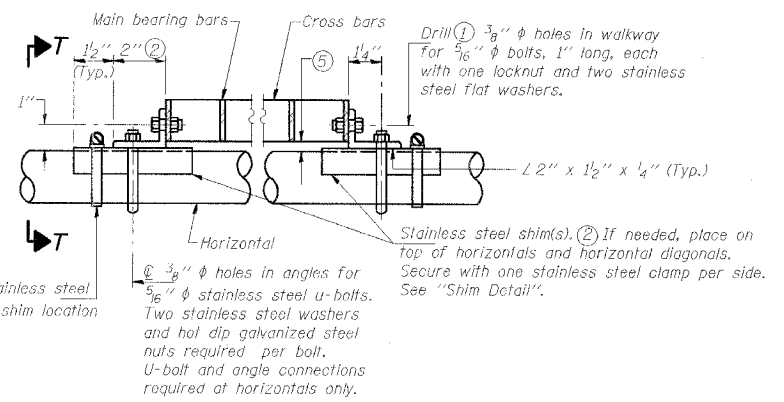


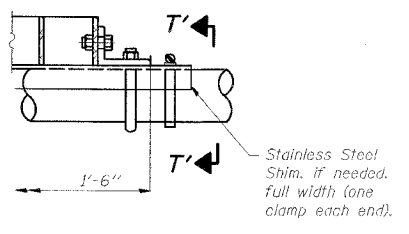
SECTION B-B



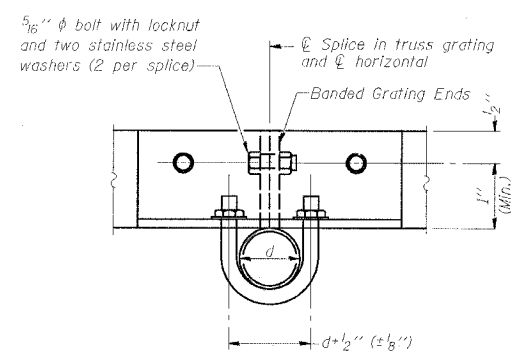
DETAIL W
(Walkway grating)



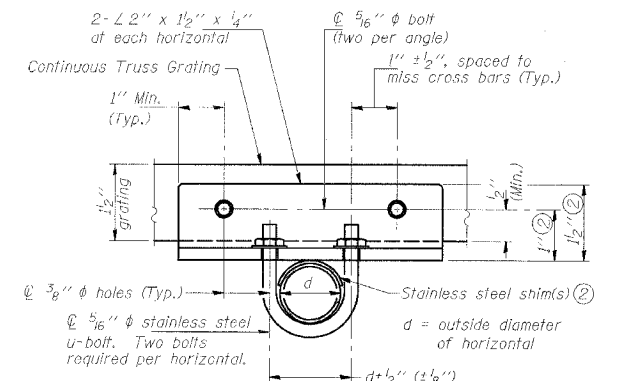
DETAIL T
(Continuous Truss grating)



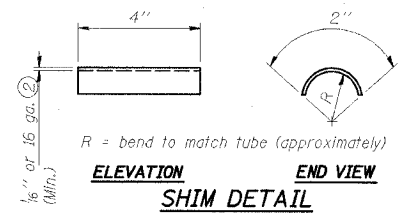
DETAIL T'
(Truss grating splice)
Details not shown same as Detail T.
Alternate materials may be used subject to the Engineer's review and approval.



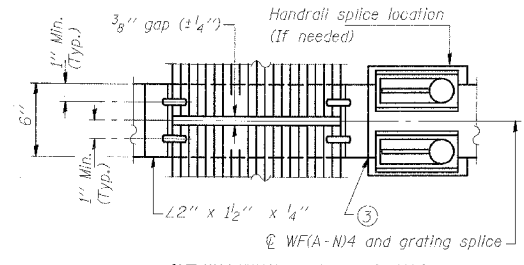
SECTION T'-T'



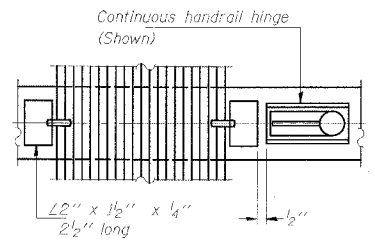
SECTION T-T



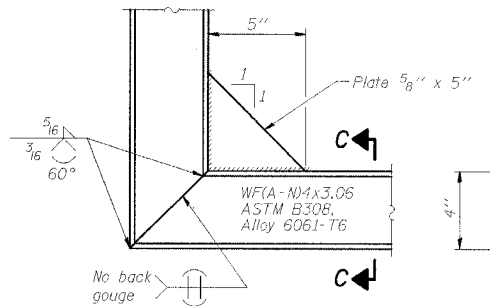
SHIM DETAIL



(AT WALKWAY GRATING SPLICE)



SECTION W-W
(CONTINUOUS WALKWAY GRATING)



DETAIL C

SECTION C-C

SPECIFICATIONS FOR STANDARD ALUMINUM GRATING

Main Bearing Bars shall be 3/16" x 1 1/2" on 1 3/16" centers and conform to ASTM B221 Alloy 6061-T6.
Cross bars shall be 3/16" x 1 1/2" on 4" centers and conform to ASTM B221 Alloy 6063-T5 or 6061-T6.

OR

Aluminum Grating with modified "I" sections for main bearing bars shall meet the following requirements:
Main bars shall conform to ASTM B221 Alloy 6061-T6 and have a minimum section modulus equal to 0.0705 in.³ per bar, a depth of 1 1/2", spaced on 1 3/16" centers.
Cross bars shall conform to ASTM B221 Alloy 6063-T5 or T-42 and spaced on 4" centers.

Structure Number	Station	A	B	C	D
350501080R076.4	643+14	6'-3/8"	6'-1 1/2"	5'-3"	11'-10 1/2"
350501080L077.0	674+70	5'-3/8"	6'-6"	4'-6"	11'-6"

NUMBER	REVISION	DATE

REVISIONS NAME

ILLINOIS DEPARTMENT OF TRANSPORTATION
OVERHEAD SIGN STRUCTURES
ALUMINUM WALKWAY DETAILS
350501080R076.4, STATION 643+14
350501080L077.0, STATION 674+70
SCALE: NONE
DATE: 09/04
DRAWN BY: DWH
CHECKED BY: MTD/FMA