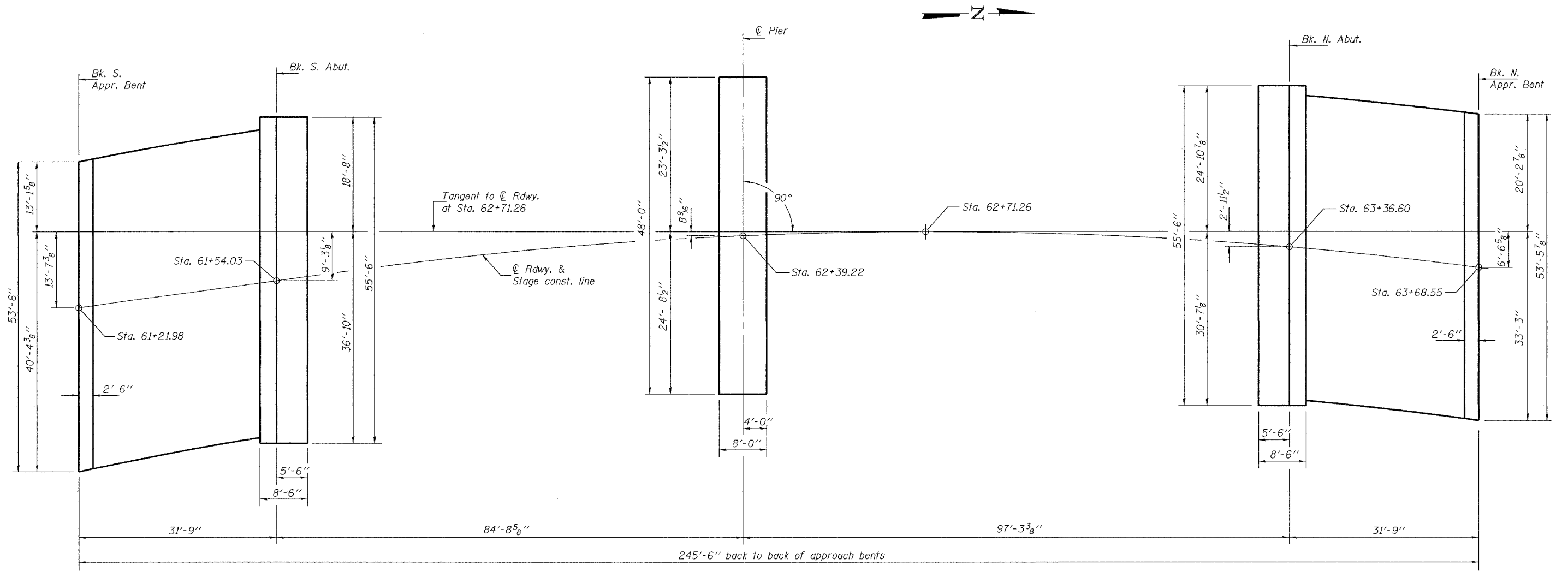


STATE OF ILLINOIS
DEPARTMENT OF TRANSPORTATION

ROUTE NO.	SECTION	COUNTY	TOTAL SHEETS	SHEET NO.
F.A.I. 80	(50-2) HBR	LaSALLE	146	35 SHEETS
FED. ROAD DIST. NO. 7	ILLINOIS	FED. AID PROJECT-		

Contract No. 86603



PLAN

DESIGNED	CME
CHECKED	RLM
DRAWN	h.t. parsons
CHECKED	CME/RLM

Nov. 29, 2004
 EXAMINED *Thomas J. Damagalki*
 ENGINEER OF BRIDGE DESIGN
 PASSED *Ralph E. Anderson*
 ENGINEER OF BRIDGES AND STRUCTURES

FOOTING LAYOUT
 F.A.I. RT. 80 - SEC. (50-2)HBR
 LaSALLE COUNTY
 STATION 62+39.22
 STRUCTURE NO. 050-0230