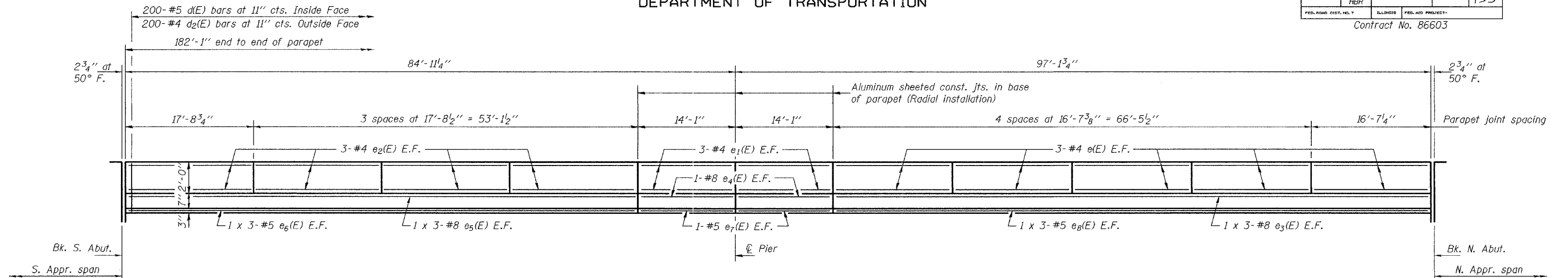


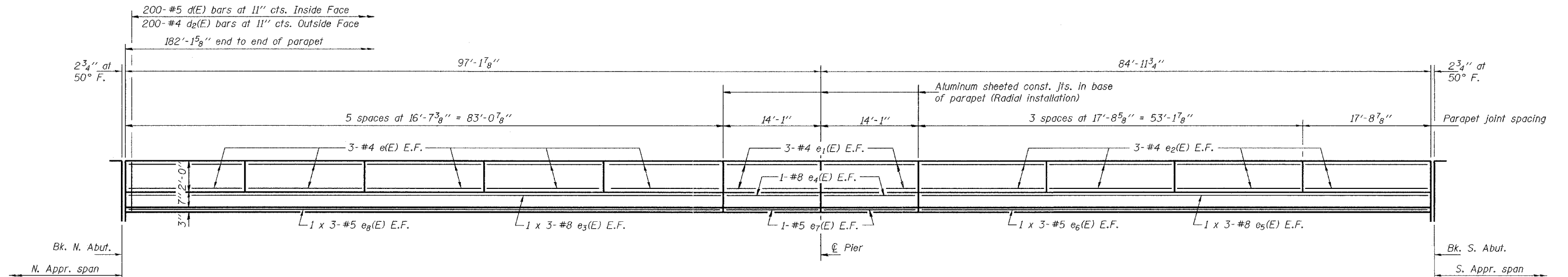
STATE OF ILLINOIS
DEPARTMENT OF TRANSPORTATION

| | | | | |
|-----------------------|---------------|-------------------|--------------------|--------------|
| ROUTE NO. | SECTION | COUNTY | SHEET NO. | SHEET NO. 11 |
| F.A.I. 80 | (50-2) HBR | LaSALLE | 153 | 35 SHEETS |
| FED. ROAD DIST. NO. 7 | ILLINOIS | FED. AID PROJECT- | Contract No. 86603 | |



INSIDE ELEVATION OF WEST PARAPET

Looking West
Horizontal dimensions are along outside face of parapet



INSIDE ELEVATION OF EAST PARAPET

Looking East
Horizontal dimensions are along outside face of parapet

MIN. BAR LAPS

#5 bars = 1'-8"
#8 bars = 3'-5"

Notes: Reinforcement bars shall not pass thru aluminum sheets.
Reinforcement bars designated (E) shall be epoxy coated.
Bars indicates thus 20 x 3-#5 etc. indicates 20 lines of bars with 3 lengths per line.
For parapet joint details, see sheet 10 of 35.

| | |
|----------|--------------|
| DESIGNED | CME |
| CHECKED | RLM |
| DRAWN | h.t. parsons |
| CHECKED | CME/RLM |

Nov. 29, 2004
EXAMINED *Thomas J. Demagala*
ENGINEER OF BRIDGE DESIGN
PASSED *Ralph E. Anderson*
ENGINEER OF BRIDGES AND STRUCTURES

SUPERSTRUCTURE DETAILS
F.A.I. RT. 80 - SEC. (50-2)HBR
LaSALLE COUNTY
STATION 62+39.22
STRUCTURE NO. 050-0230