

STATE OF ILLINOIS
DEPARTMENT OF TRANSPORTATION

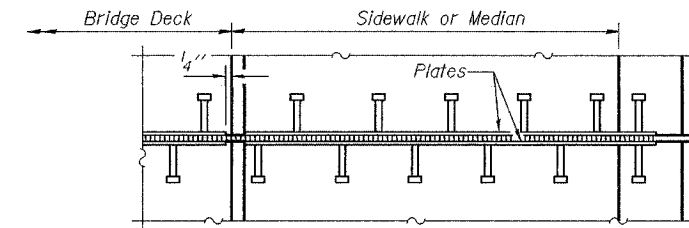
ROUTE NO.	SECTION	COUNTY	SHEET	SHEET NO. 15
F.A.I. 80	(50-2)	LaSALLE	157	35 SHEETS
FED. ROAD DIST. NO. 7	ILLINOIS	FED. AID PROJECT-		

Contract No. 86603

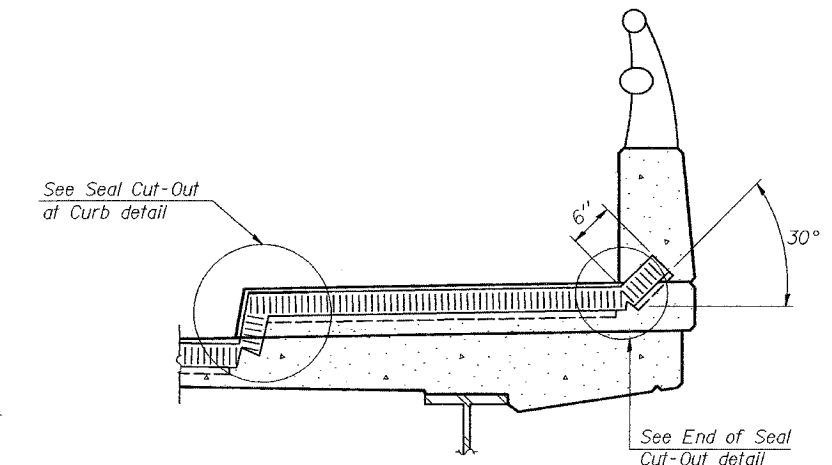
GENERAL NOTES

Furnish steel plates in segments of 20 feet maximum length. Maximum space between installed segments shall be $\frac{3}{16}$ ". Seal space with silicone sealant suitable for structural steel.

Bridge Joint System (Expansion)		
Design Movement	Required Preformed Joint Seal Size	Required Strip Seal Rated movement
1"	2 $\frac{1}{2}$ "	1"
1 $\frac{5}{8}$ "	4"	2"



PLAN AT SIDEWALK OR MEDIAN



AT SIDEWALK OR MEDIAN*
(Showing plate and seal)

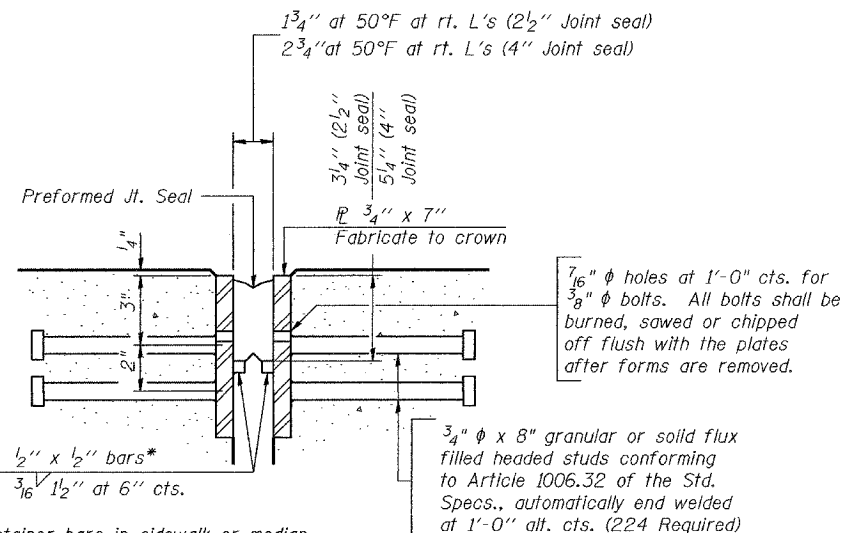
* Shorter plates with a single row of studs at 12" centers may be necessary on medians which are shallower than 9". See manufacturer's recommendation.

BILL OF MATERIAL

Item	Unit	Total
Bridge Joint System (Expansion), 1 $\frac{5}{8}$ "	Foot	110

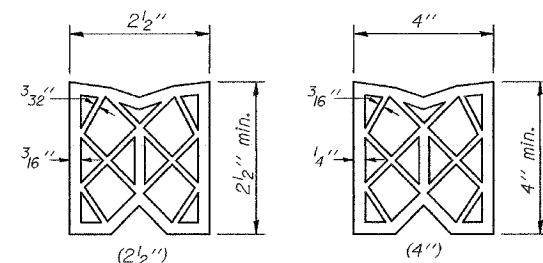
(Sheet 1 of 2)

BRIDGE JOINT SYSTEM - EXPANSION
(PREFORMED JOINT SEAL)
F.A.I. RT. 80 - SEC. (50-2)HBR
LaSALLE COUNTY
STATION 62+39.22
STRUCTURE NO. 050-0230

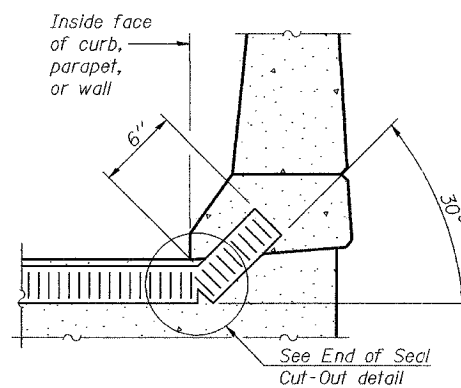


SECTION THRU EXPANSION JOINT
(2 $\frac{1}{2}$ " and 4" joint seals)

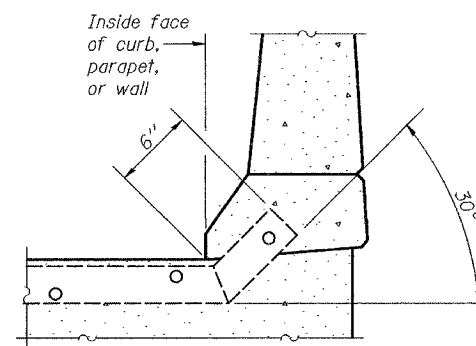
*Cut retainer bars in sidewalk or median 6" short of the sidewalk or median face.



PREFORMED JOINT SEAL

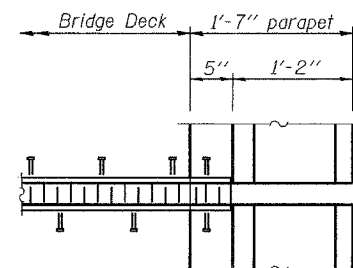


AT CURB, PARAPET, OR WALL
(Showing seal)

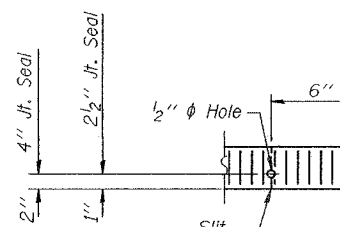


AT CURB, PARAPET, OR WALL
(Showing plate)

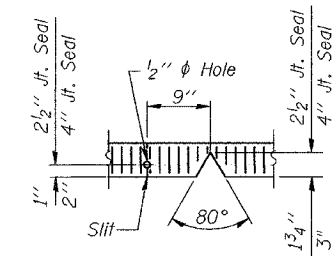
TYPICAL END TREATMENTS



PLAN AT PARAPET



END OF SEAL CUT-OUT



SEAL CUT-OUT AT CURB

DESIGNED	CME
CHECKED	RLM
DRAWN	h.t. parsons
CHECKED	CME/RLM
EJ-BJS	9-01-03

Nov. 29, 2004
EXAMINED *Thomas J. Romagosa*
ENGINEER OF BRIDGE DESIGN
PASSED *Ralph E. Anderson*
ENGINEER OF BRIDGES AND STRUCTURES