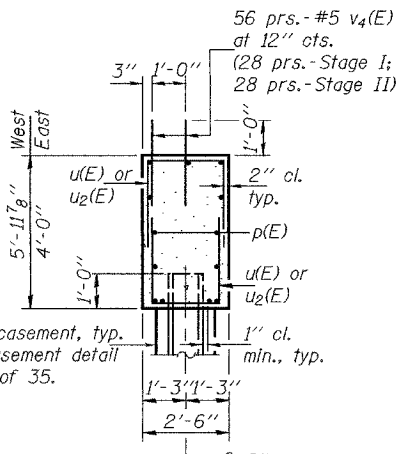
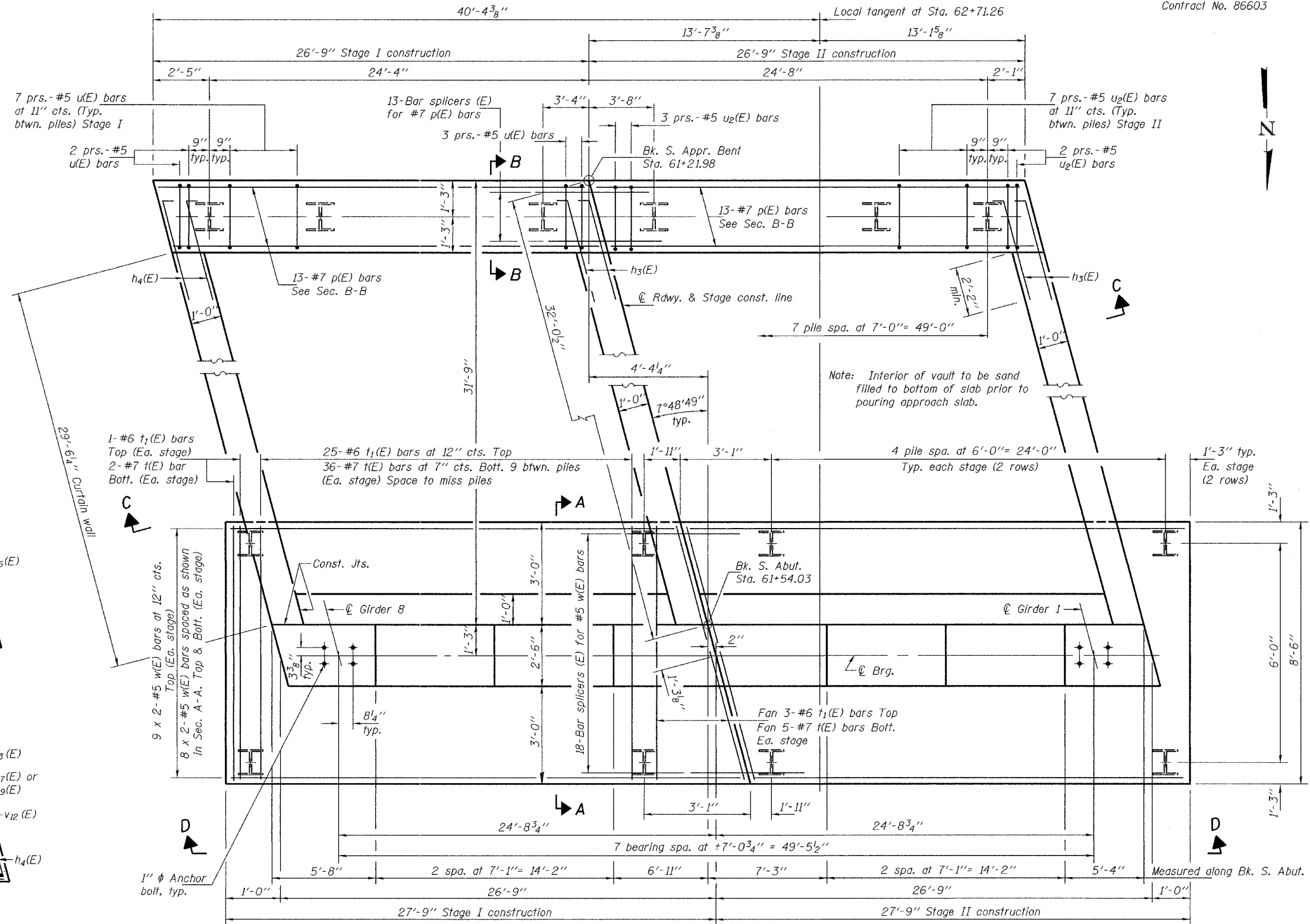


**STATE OF ILLINOIS
DEPARTMENT OF TRANSPORTATION**

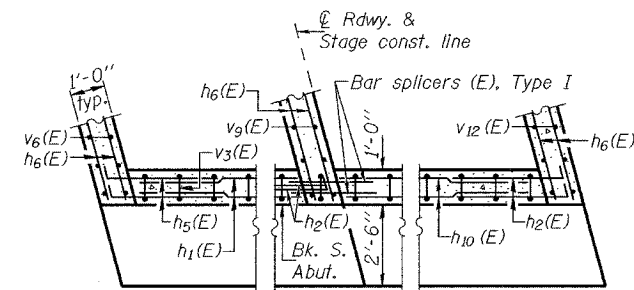
ROUTE NO.	SECTION	COUNTY	POST MILES	SHEET NO.	SHEET NO. 24 35 SHEETS
F.A.I. 80	(50-2) HBR	LaSALLE		166	
FED. ROAD DIST. NO. 7	ILLINOIS	FED. AID PROJECT-			

Contract No. 86603

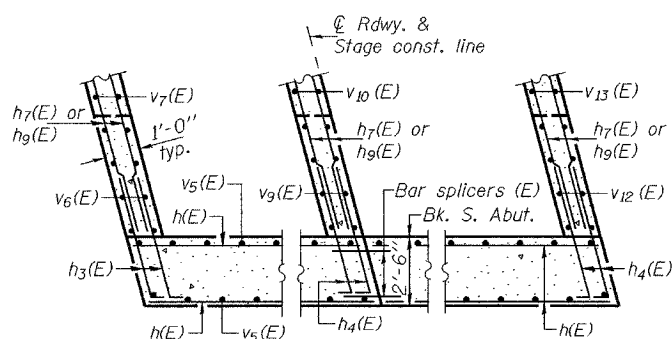
Notes: Space reinforcement in cap to miss anchor bolts.
Reinforcement bars designated (E) shall be epoxy coated.
Four steps monolithically with stem.
For anchor bolt details, see sheet 23 of 35.
For bar splicers details, see sheet 32 of 35.
Bars indicated thus 20 x 3-#5 etc. indicates 20 lines of bars with 3 lengths per line.
For Sections A-A, C-C and View D-D, see sheet 25 of 35.



SECTION B-B



SECTION E-E



SECTION F-F

PLAN

DESIGNED	RLM
CHECKED	CME
DRAWN	h.t. parsons
CHECKED	RLM/CME

Nov. 29, 2004

EXAMINED *Thomas J. Domagalak*
ENGINEER OF BRIDGE DESIGN

PASSED *Ralph E. Anderson*
ENGINEER OF BRIDGES AND STRUCTURES

MIN. BAR LAPS
#5 bars = 2'-2"

**SOUTH ABUTMENT
F.A.I. RT. 80 - SEC. (50-2)HBR
LaSALLE COUNTY
STATION 62+39.22
STRUCTURE NO. 050-0230**