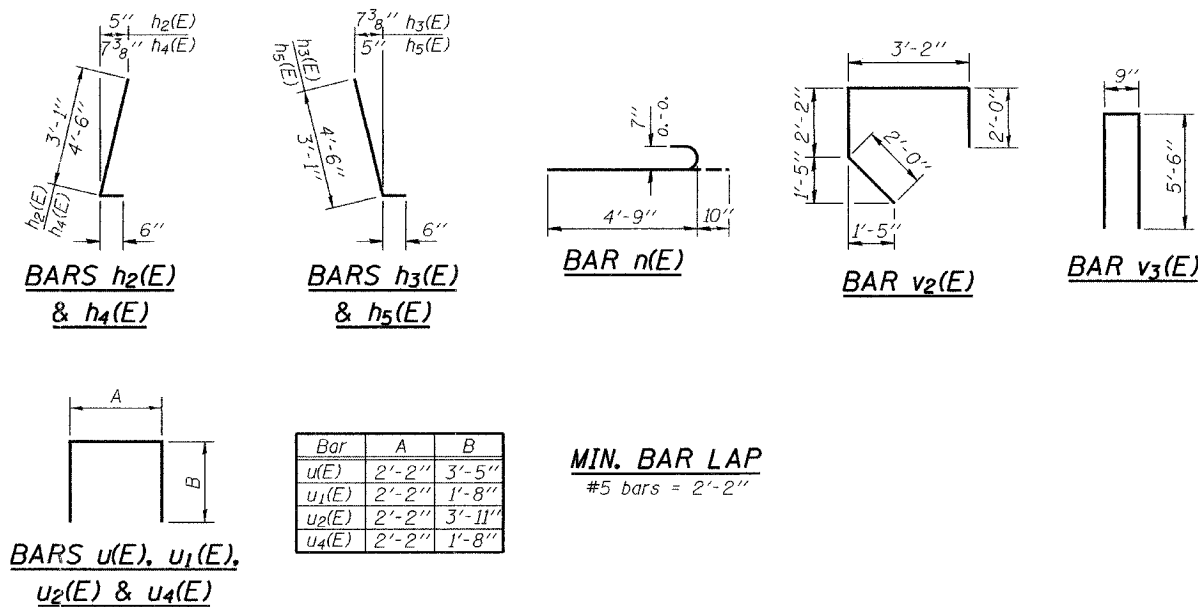
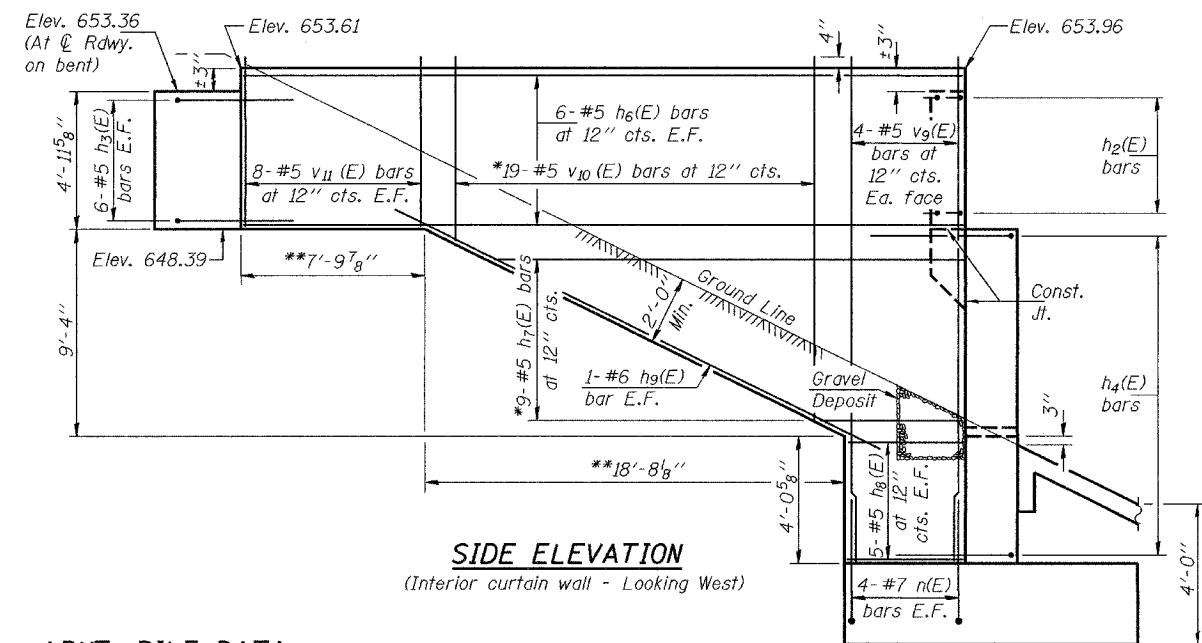
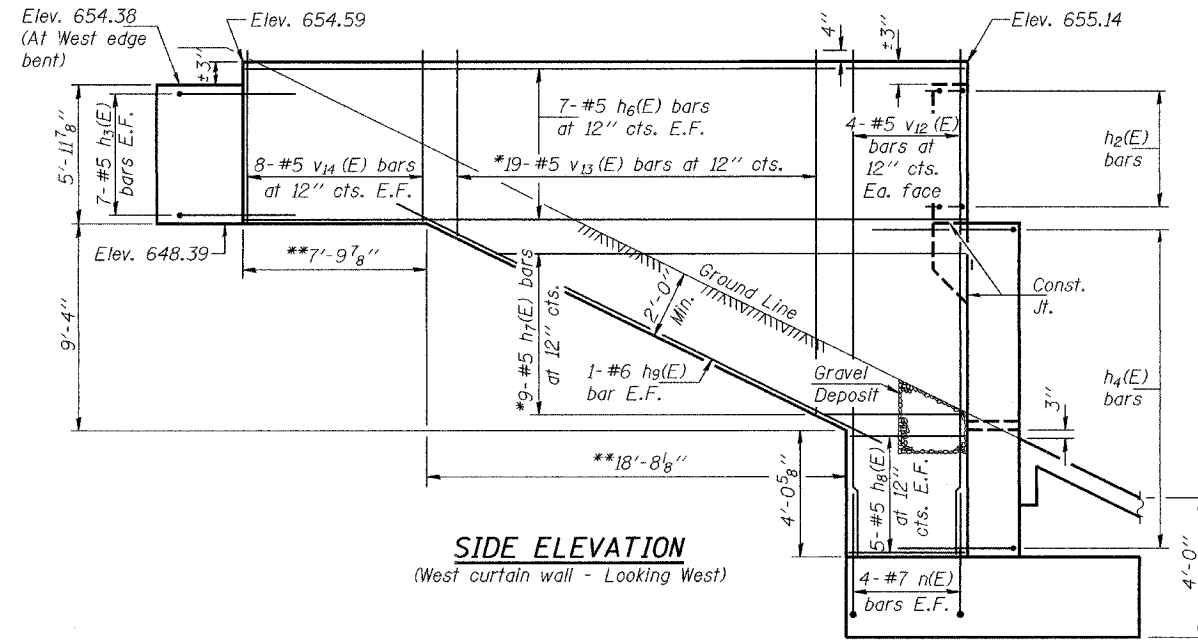
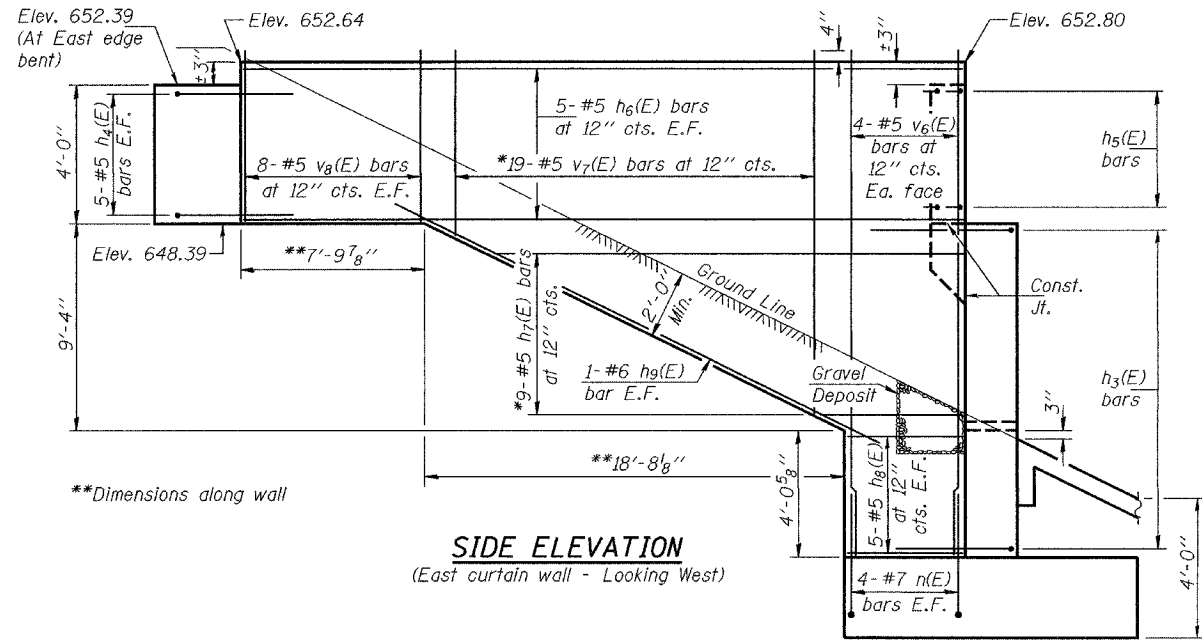


STATE OF ILLINOIS  
DEPARTMENT OF TRANSPORTATION

ROUTE NO.	SECTION	COUNTY	DATE	SHEET
F.A.I. 80	(50-2) HBR	LaSALLE		168
FED. ROAD DIST. NO. 7	ILLINOIS	FED. AID PROJECT-		

SHEET NO. 26  
35 SHEETS  
Contract No. 86603



BILL OF MATERIAL

Bar	No.	Size	Length	Shape
h(E)	56	#6	26'-5"	—
h1(E)	12	#5	24'-5"	—
h2(E)	24	#5	3'-7"	L
h3(E)	56	#5	5'-0"	L
h4(E)	70	#5	5'-0"	L
h5(E)	8	#5	3'-7"	L
h6(E)	36	#5	29'-3"	—
h7(E)	27	#5	24'-8"	—
h8(E)	30	#5	2'-9"	—
h9(E)	6	#6	22'-0"	—
h10(E)	12	#5	25'-6"	—
h11(E)	8	#5	26'-5"	—
h15(E)	12	#5	8'-7"	—
h16(E)	3	#5	26'-4"	—
h17(E)	3	#5	5'-4"	—
h18(E)	3	#5	6'-11"	—
n(E)	200	#7	5'-7"	—
p(E)	26	#7	26'-5"	—
t(E)	86	#7	8'-2"	—
t1(E)	58	#6	8'-2"	—
v1(E)	106	#5	4'-8"	—
v2(E)	56	#5	9'-4"	—
v3(E)	53	#5	11'-9"	—
v4(E)	165	#5	2'-3"	—
v5(E)	176	#6	13'-9"	—
v6(E)	8	#5	18'-0"	—
v7(E)	19	#5	18'-6"	—
v8(E)	16	#5	4'-6"	—
v9(E)	8	#5	19'-3"	—
v10(E)	19	#5	20'-8"	—
v11(E)	16	#5	5'-6"	—
v12(E)	8	#5	20'-5"	—
v13(E)	19	#5	22'-10"	—
v14(E)	16	#5	6'-6"	—
u(E)	52	#5	9'-0"	—
u1(E)	42	#5	5'-6"	—
u2(E)	52	#5	10'-0"	—
u4(E)	28	#4	5'-6"	—
w(E)	68	#5	15'-1"	—

ABUT.-PILE DATA

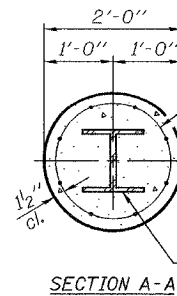
Type: HP12x53  
Capacity: Driven to refusal  
Est. Length: 50'  
No. Req'd.: 19 + 1 test pile

APPR. BENT-PILE DATA

Type: HP12x53  
Capacity: Driven to refusal  
Est. Length: 64'  
No. Req'd.: 8

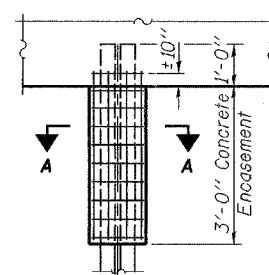
DESIGNED	RLM
CHECKED	CME
DRAWN	h.t. parsons
CHECKED	RLM/CME

Nov. 29, 2004  
EXAMINED *Thomas J. Domagalik*  
ENGINEER OF BRIDGE DESIGN  
PASSED *Ralph E. Anderson*  
ENGINEER OF BRIDGES AND STRUCTURES



Welded wire fabric  
6 x 6-W4.0 x W4.0  
weighing 58#/100 sq. ft.  
The cost of Excavation,  
Concrete Encasement and  
Reinforcement is included  
with Furnishing Piles.  
Forms for Encasement  
may be omitted when soil  
conditions permit.

PILE ENCASEMENT DETAIL



FIELD CUTTING DIAGRAM

\* Order h7(E), v7(E), v10(E) & v13(E) bars full length. Cut to fit as shown and use remainder of bars in other face.

	v7(E)	v10(E)	v13(E)	h7(E)
a	4'-9"	5'-9"	6'-9"	3'-3"
b	13'-9"	14'-11"	16'-1"	21'-5"
c	18'-6"	20'-8"	22'-10"	24'-8"
d	19	19	19	9

SOUTH ABUTMENT DETAILS  
F.A.I. RT. 80 - SEC. (50-2)HBR  
LaSALLE COUNTY  
STATION 62+39.22  
STRUCTURE NO. 050-0230