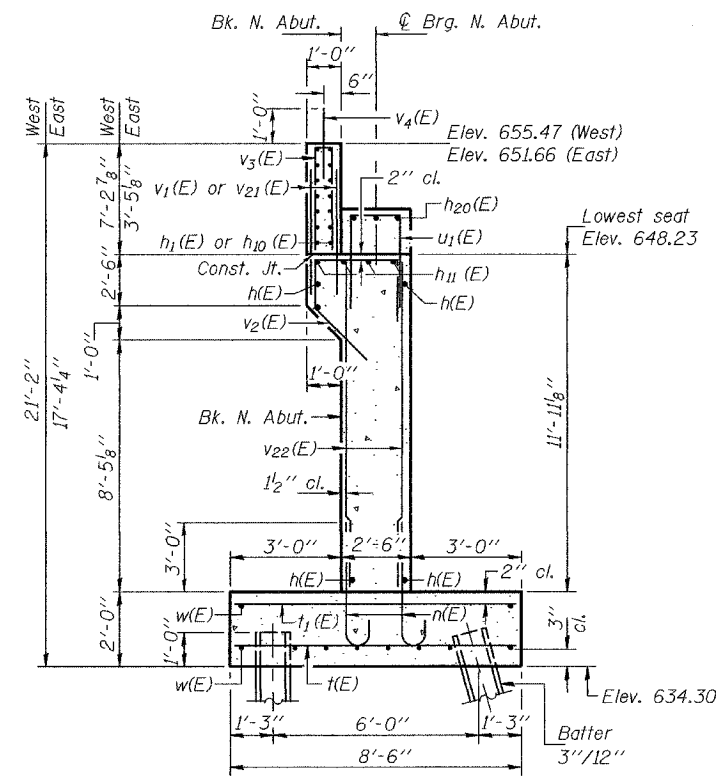
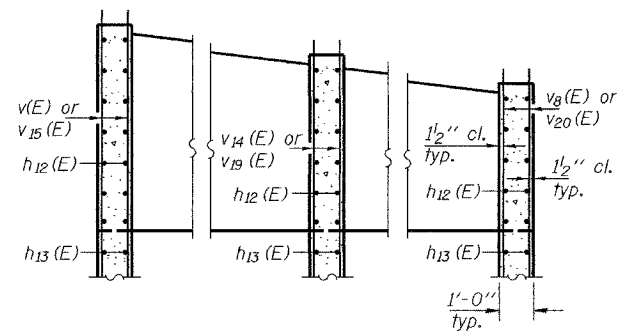


STATE OF ILLINOIS
DEPARTMENT OF TRANSPORTATION

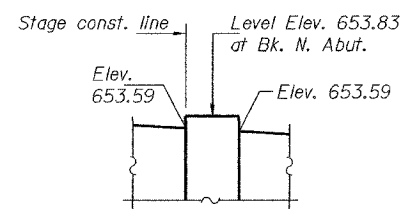
ROUTE NO.	SECTION	COUNTY	SHEET	SHEET NO. 28
F.A.I. 80	(50-2) HBR	LaSALLE	170	35 SHEETS
FED. ROAD DIST. NO. 7	ILLINOIS	FED. AID PROJECT-	Contract No. 86603	



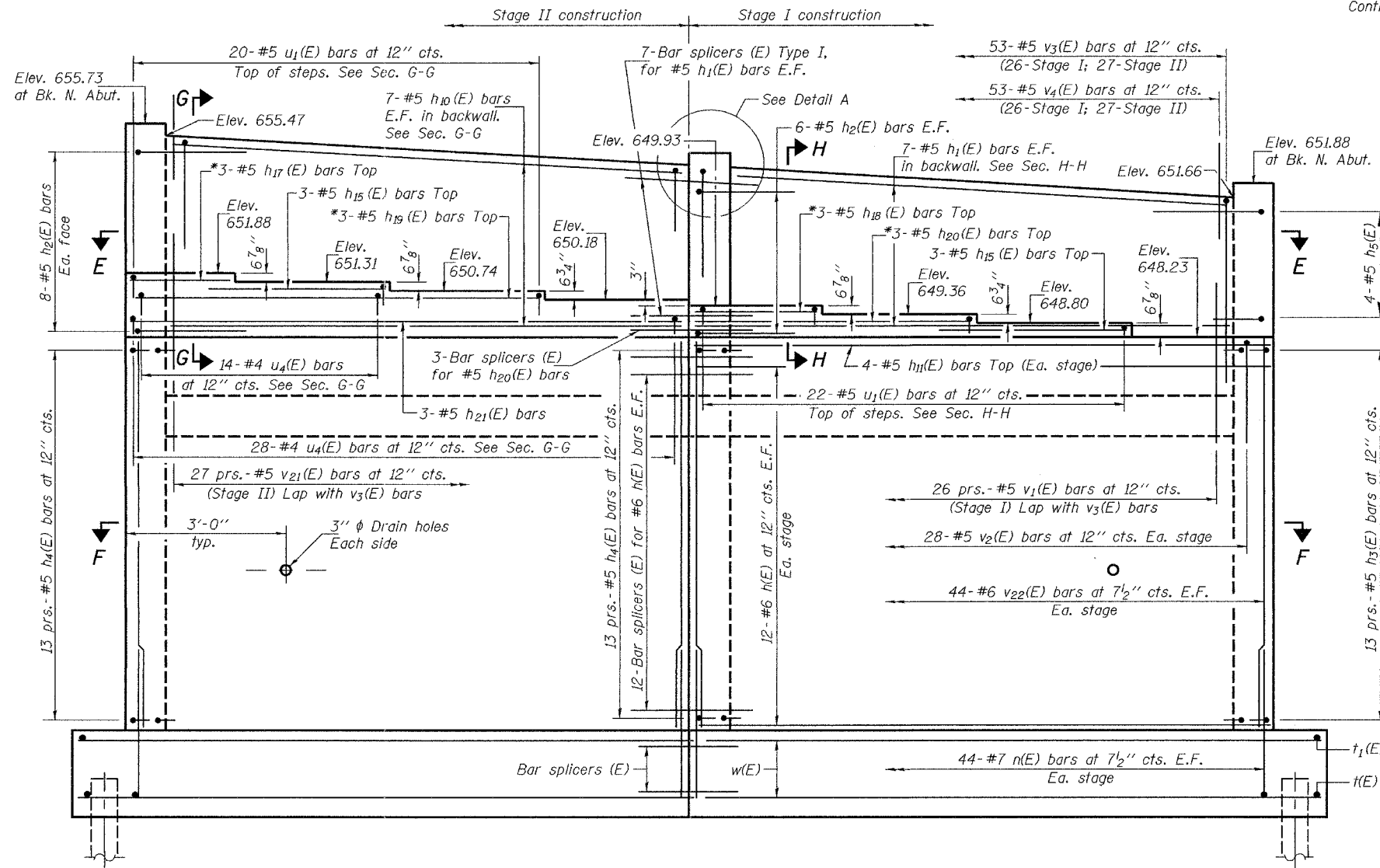
SECTION A-A



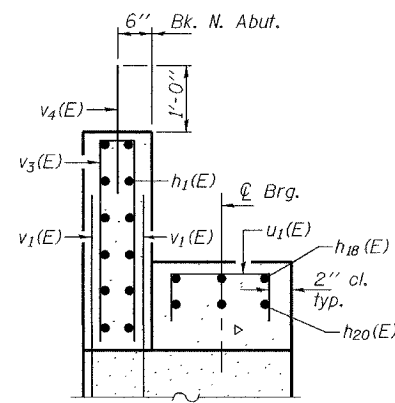
SECTION C-C



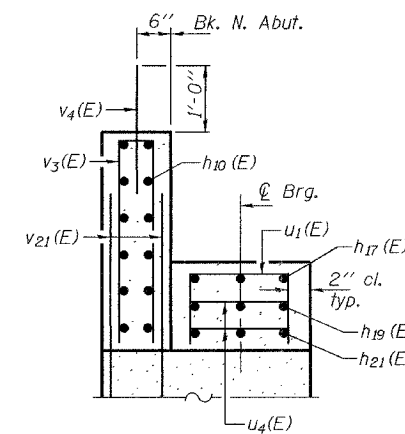
DETAIL A



VIEW D-D
(Looking North)



SECTION H-H



SECTION G-G

Notes: Space reinforcement in cap to miss anchor bolts.
Reinforcement bars designated (E) shall be epoxy coated.
Pour steps monolithically with stem.
For bar splicer details, see sheet 32 of 35.
For Sections E-E & F-F, see sheet 27 of 35.

DESIGNED	RLM
CHECKED	CME
DRAWN	h.t. parsons
CHECKED	RLM/CME

Nov. 29, 2004
EXAMINED *Thomas J. Domagala*
PASSED *Ralph E. Anderson*
ENGINEER OF BRIDGE DESIGN
ENGINEER OF BRIDGES AND STRUCTURES

NORTH ABUTMENT
F.A.I. RT. 80 - SEC. (50-2)HBR
LaSALLE COUNTY
STATION 62+39.22
STRUCTURE NO. 050-0230