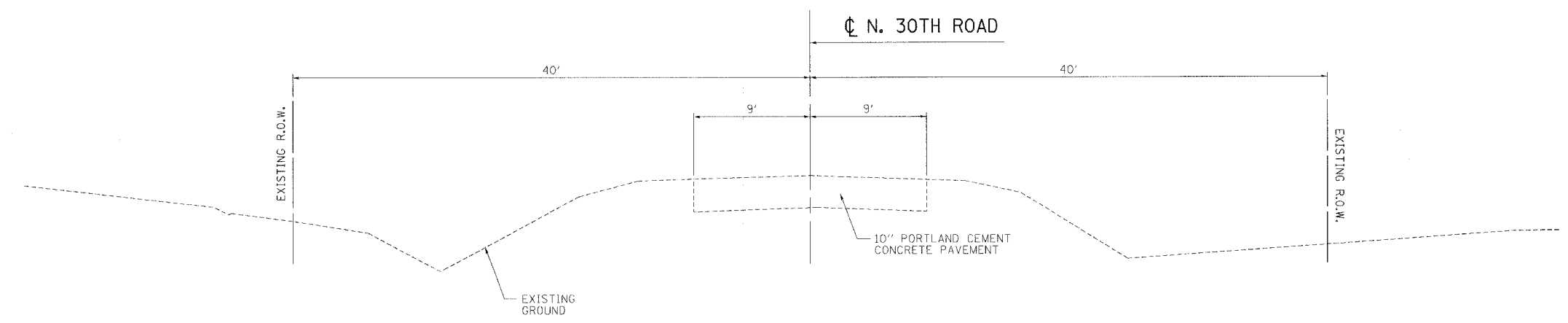


FAU RTE.	SECTION	COUNTY	TOTAL SHEETS	SHEET NO.
6108	(70XIN & TS-1)	LA SALLE	460	227
STA.	TO STA.			
FED. ROAD DIST. NO.	ILLINOIS	FED. AID PROJECT		
CONTRACT NO. 86603				

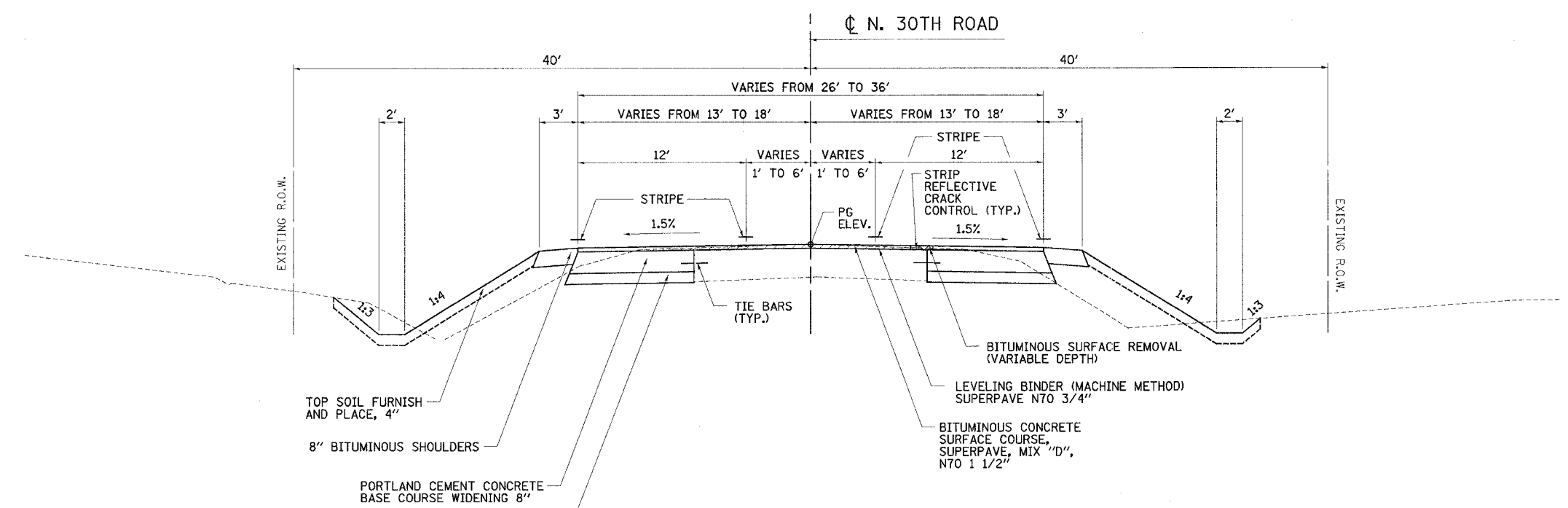
DESIGN		
INT.	DATE	REASON

PLOTS & CHECKS		
INT.	DATE	REASON

CHECKS		
INT.	DATE	REASON



EXISTING TYPICAL SECTION
STA. 51+40 TO STA. 54+75



PROPOSED TYPICAL SECTION
STA. 51+40 TO STA. 54+75

ILLINOIS DEPARTMENT OF TRANSPORTATION

TYPICAL SECTIONS

FAU 6108 (IL. RTE. 351)
SECTION (70XIN & TS-1)
LASALLE COUNTY

SCALE: VERT. _____
HORIZ. _____

DATE: 03/12/04

DESIGNED BY: BISHOP
CHECKED BY: COLBROOK

COMPUTER FILE NO.
TYPICALS-20

PROJECT: 01194.B.N
08/05/04-GSJ

GREENE & BRADFORD, INC.
OF SPRINGFIELD

CORNER THE SQUARE
3500 W. STATE ST.
SPRINGFIELD, ILL. 62761-4000
PHONE: (217) 223-5000 FAX: (217) 223-5001
PROJECTS: HIGHWAYS, BRIDGES, AIRPORTS, UTILITIES
REGISTRATION NO. 0001 PROFESSIONAL ENGINEER
(217) 223-5000 FAX: (217) 223-5001

REVISIONS	
NAME	DATE