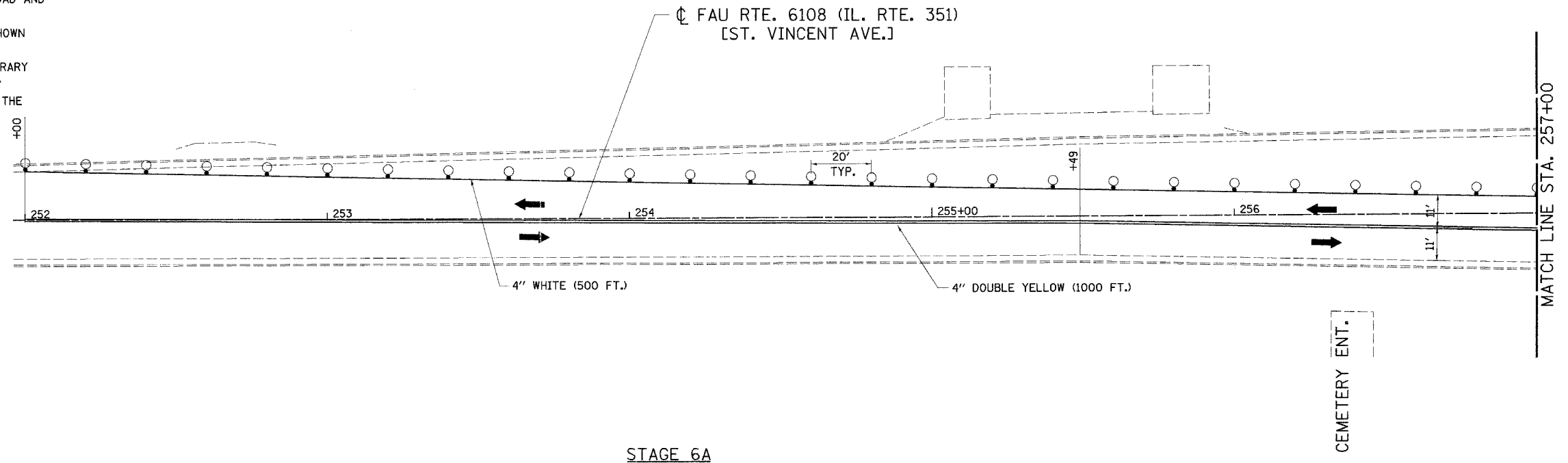


| DESIGN |      |        |
|--------|------|--------|
| INT.   | DATE | REASON |
|        |      |        |
|        |      |        |
|        |      |        |
|        |      |        |
|        |      |        |
|        |      |        |
|        |      |        |
|        |      |        |
|        |      |        |
|        |      |        |

**STAGE 6A TRAFFIC CONTROL AND CONSTRUCTION SEQUENCE  
STA. 252+00 TO STA. 271+00**

- CONTRACTOR SHALL PLACE ALL ADVANCED WARNING SIGNAGE PRIOR TO BEGINNING ANY CONSTRUCTION. (SEE ADVANCE SIGNING DETAILS)
- TRAFFIC WILL BE SHIFTED TO THE EAST SIDE OF IL RTE. 351 AND THE REMAIN ON THE NORTH SIDE OF CIVIC ROAD AND N. 30TH ROAD.
- PLACE ALL TEMPORARY PAVEMENT MARKINGS AS SHOWN ON THE PLANS.
- CONTRACTOR SHALL PROVIDE AND MAINTAIN TEMPORARY ENTRANCES WHEN REQUIRED DURING CONSTRUCTION.
- REMOVE THE EXISTING PAVEMENT AND CONSTRUCT THE NEW PAVEMENT AS SHOWN ON THE PLANS.
- TRAFFIC CONTROL AT THE INTERSECTION WILL REMAIN A 4 - WAY STOP CONDITION UNLESS OTHERWISE DIRECTED BY THE ENGINEER.



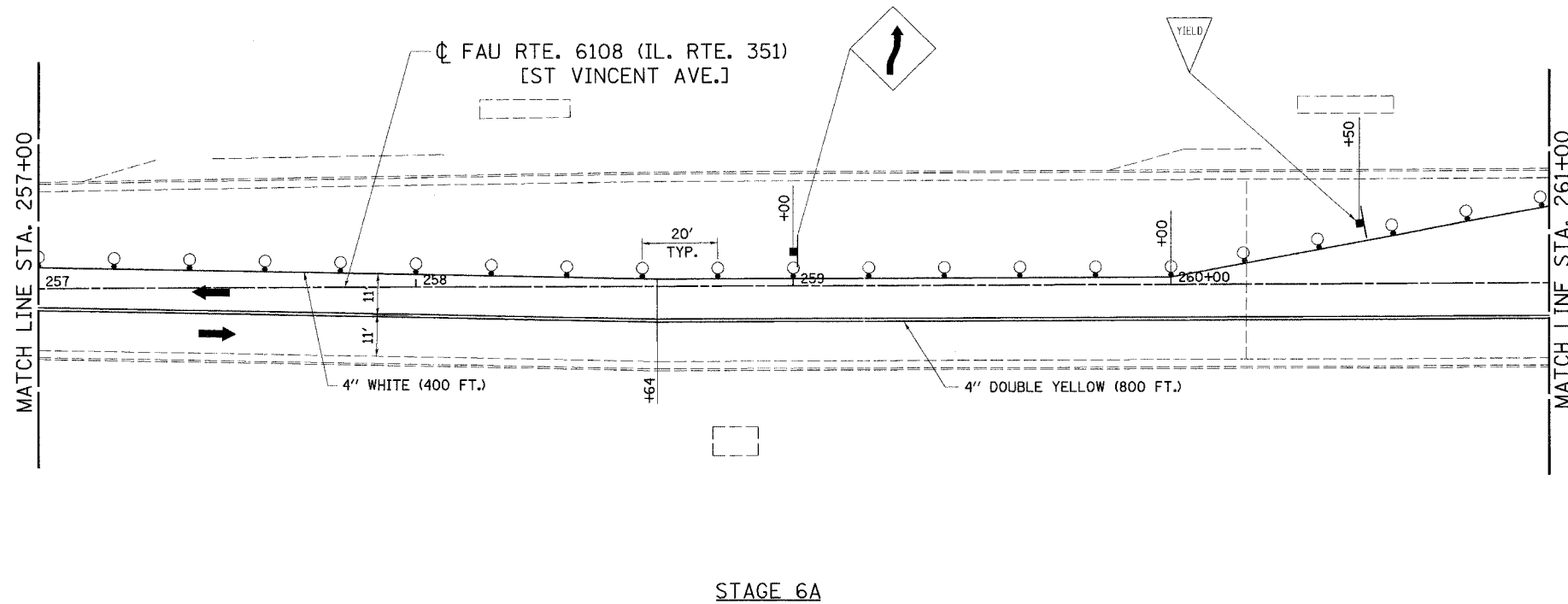
| F.A.U. RTE.         | SECTION        | COUNTY           | TOTAL SHEETS | SHEET NO. |
|---------------------|----------------|------------------|--------------|-----------|
| 6108                | (70XN & TS-1   | LA SALLE         | 460          | 287       |
| STA. 252+00         | TO STA. 261+00 |                  |              |           |
| FED. ROAD DIST. NO. | ILLINOIS       | FED. AID PROJECT |              |           |
| CONTRACT NO. 86603  |                |                  |              |           |

| PLOTS & CHECKS |      |        |
|----------------|------|--------|
| INT.           | DATE | REASON |
|                |      |        |
|                |      |        |
|                |      |        |
|                |      |        |
|                |      |        |
|                |      |        |
|                |      |        |
|                |      |        |
|                |      |        |
|                |      |        |

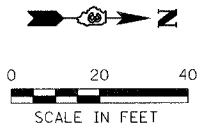
FILE NAME = \$FILES\$  
PLOT SCALE = \$SCALE\$  
PLOT DATE = \$DATE\$  
PLOT OPERATOR = \$USER\$

| CHECKS |      |        |
|--------|------|--------|
| INT.   | DATE | REASON |
|        |      |        |
|        |      |        |
|        |      |        |
|        |      |        |
|        |      |        |
|        |      |        |
|        |      |        |
|        |      |        |
|        |      |        |
|        |      |        |

STAGE 6A



STAGE 6A



| LEGEND                                      |    |
|---|----|
| DIRECTION OF TRAFFIC                        | ➔  |
| TYPE C BIDIRECTIONAL REFLECTOR              | ◆  |
| TYPE III BARRICADE W/ FLASHING LIGHTS       | ⊥⊥ |
| TYPE III BARRICADE                          | ⊥  |
| DRUM OR BARRICADE WITH STEADY BURNING LIGHT | ○  |
| WORK ZONE                                   | ▨  |
| DRUM OR BARRICADE                           | ○  |
| TEMPORARY WIDENING                          | ⊠  |

| REVISIONS |      |
|-----------|------|
| NAME      | DATE |
|           |      |
|           |      |
|           |      |
|           |      |
|           |      |

**ILLINOIS DEPARTMENT OF TRANSPORTATION  
STAGE 6A TRAFFIC CONTROL & CONSTRUCTION  
STA. 252+00 TO STA. 261+00**

FAU 6108 (IL RTE. 351)  
SECTION (70XN & TS-1)  
LA SALLE COUNTY

SCALE: VERT. \_\_\_\_\_  
HORIZ. \_\_\_\_\_  
DATE 05/07/03

DRAWN BY: Heb  
DESIGNED BY: COLBROOK  
CHECKED BY: COLBROOK

GREENE & BRADFORD, INC.  
OF SPRINGFIELD  
PROJECT 01194\_b\_n  
02/17/04 Heb