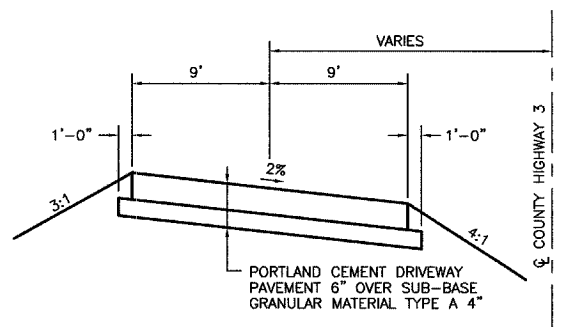
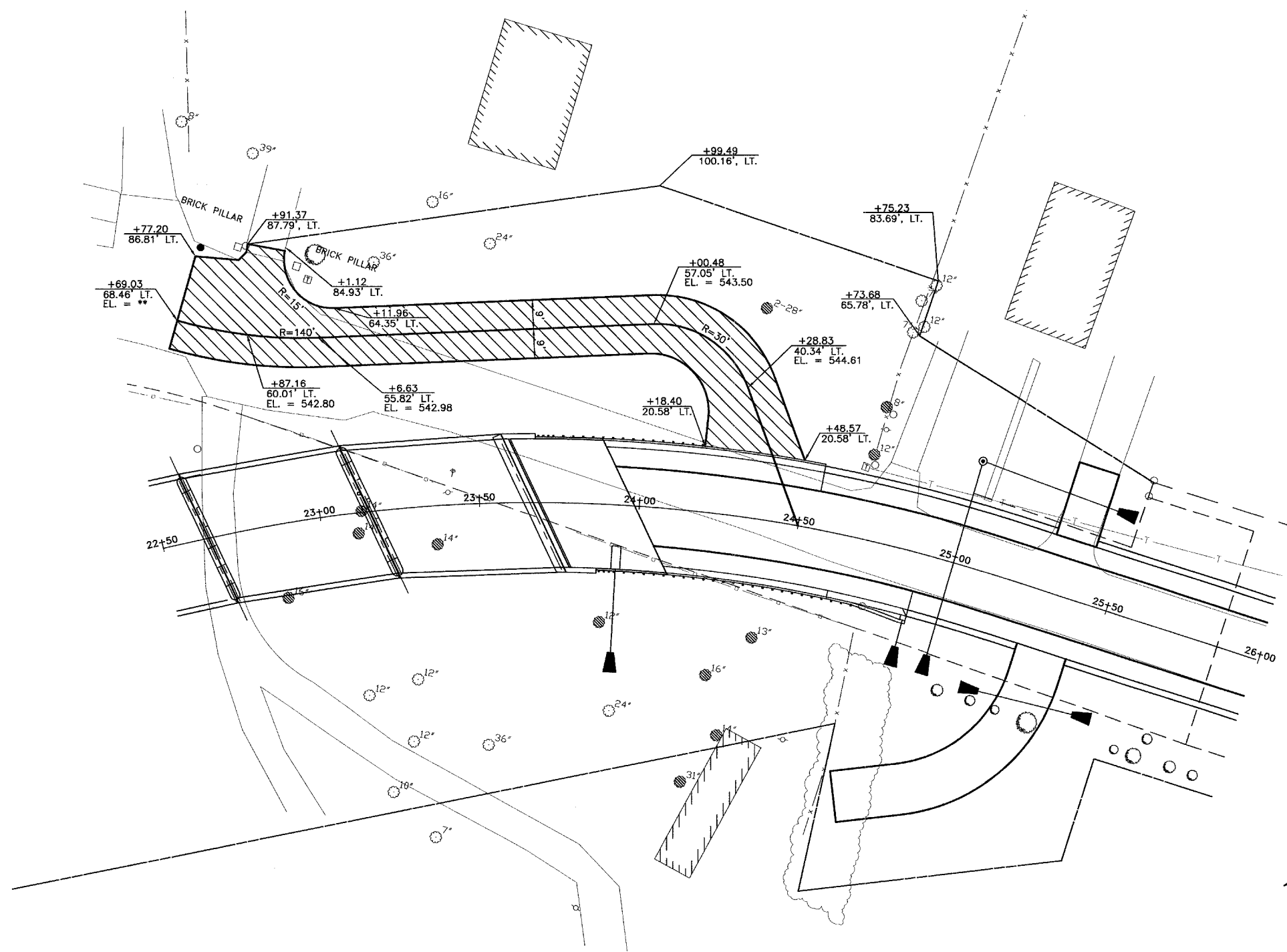


— PORTLAND CEMENT DRIVEWAY
PAVEMENT 6" OVER SUB-BASE,
GRANULAR MATERIAL TYPE A 4"

** MATCH EXISTING



TYPICAL SECTION

DRAWN BY: NET	/11174-01/FINAL/ CAD/.DWG: WFRONT	REVISIONS		PERU MORRIS ILLINOIS	FAS 259/COUNTY HIGHWAY 3 OVER FOX RIVER SECTION 98-00545-00-BR LASALLE COUNTY	WEST FRONTAGE ROAD	SCALE: AS NOTED	SHEET 16
		DATE	BY				FILE NO.: 11174.01Y-1	OF 79
CHECKED BY: JKC	DATE: 3/03	3/08/04	NET					
		7/01/04	NET					

CHAMLIN ASSOCIATES