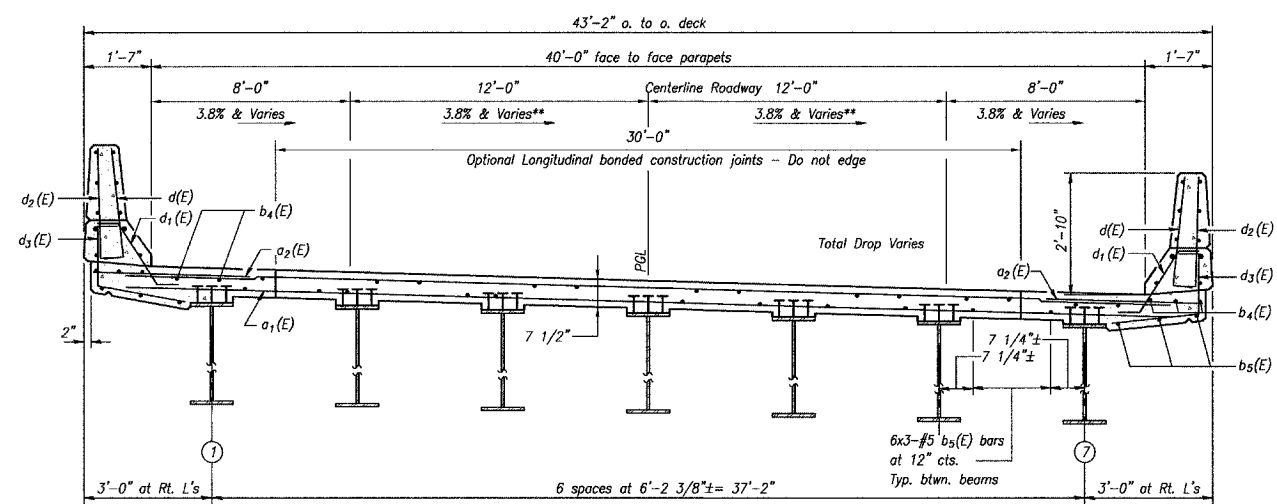
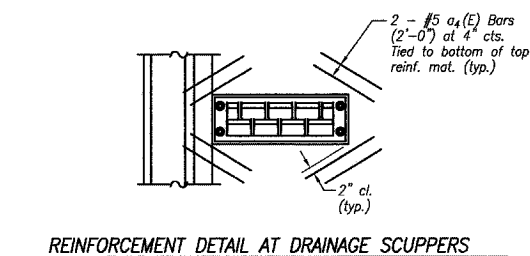


* Order a(E) & a₁(E) bars full length. Cut to fit skew and use remainder of bars in opposite end.

PLAN

Min. Lap
#5 bars 1'-8"



CROSS SECTION
(Looking North)

** CROSS SLOPE VARIES DUE TO SUPERELEVATION TRANSITION. SEE SHEET 1 OF 38.

Notes:
See Sheet #11 of 38 for Superstructure Details.
Reinforcement bars designated (E) shall be epoxy coated.
Bars indicated thus 20 x 3-#5 etc. indicates 20 lines of bars with 3 lengths per line.
See Sheet #12 of 38 for parapet reinforcement.
For Bent Bar Details and Bill of Materials See Sheet #13 of 38.

SUPERSTRUCTURE DETAILS
UNIT #2-SPAN 1
FAS 259 C.H. 3
OVER FOX RIVER
LA SALLE COUNTY
STA. 20+15.00
STRUCTURE NO. 050-3562

DRAWN BY: LAG	CAD: SUP2.DWG	REVISIONS		SCALE: AS NOTED	SHEET 33
		DATE	BY		
CHECKED BY: JKC	DATE: 02/03	3/08/04	NET	FILE NO.: 11174.01Y-1	OF 79
		7/06/04	NET		