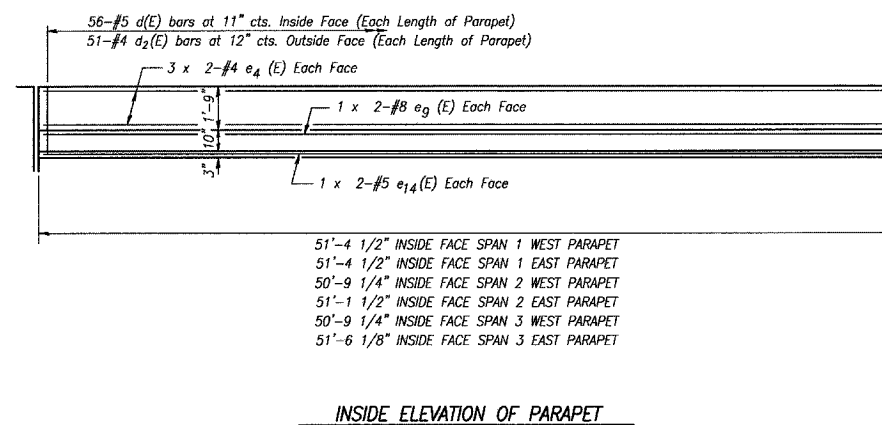
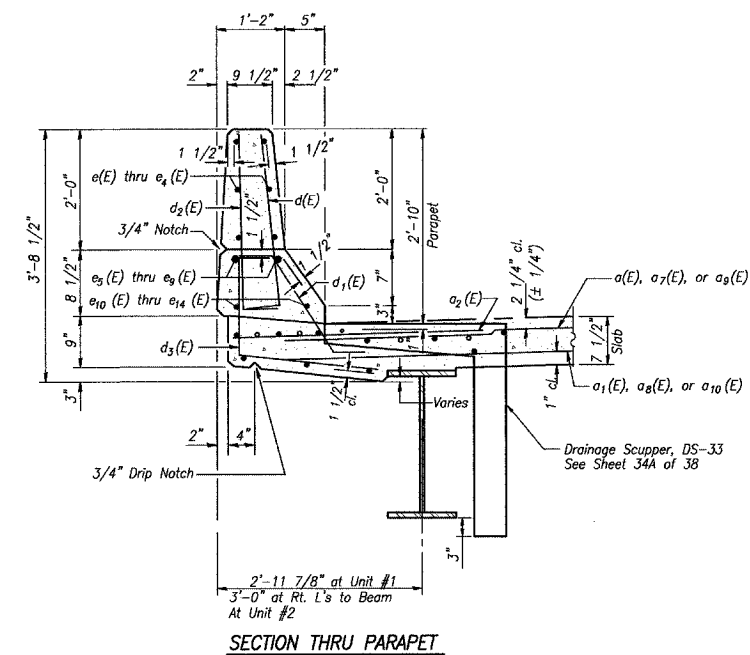


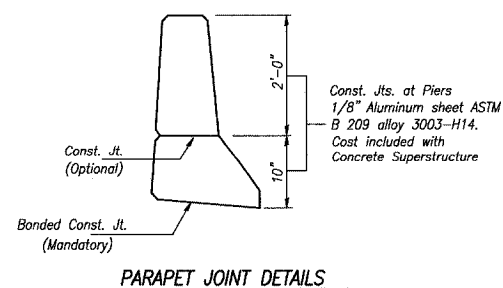
Min Lap # 4 Bars = 1'-4"
 Min Lap # 5 Bars = 1'-8"
 Min Lap # 6 Bars = 3'-8"



INSIDE ELEVATION OF PARAPET



SECTION THRU PARAPET



PARAPET JOINT DETAILS

SUPERSTRUCTURE DETAILS
 BRIDGE RAIL DETAILS
 FAS 259 C.H. 3
 OVER FOX RIVER
 LA SALLE COUNTY
 STA. 20+15.00
 STRUCTURE NO. 050-3562

DRAWN BY: ARR	CAD: Parat	REVISIONS		SCALE: NONE	SHEET 37
		DATE	BY		
CHECKED BY: JKC	DATE: 02/03	3/08/04	NET	FILE NO.: 11174.01Y-1	OF 79
		6/29/04	NET		