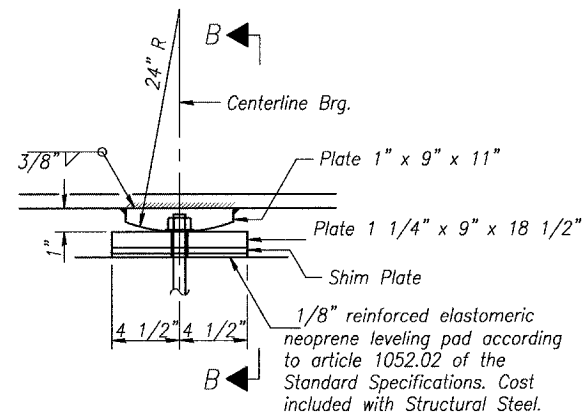
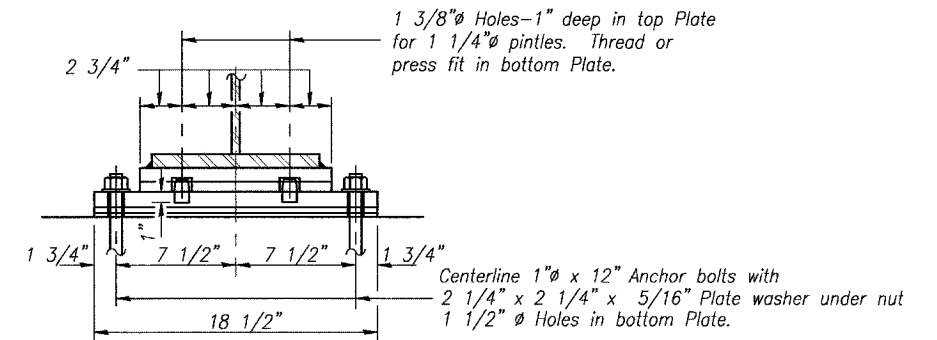


BEARING ASSEMBLY

Note: Shim plates shall not be placed under Bearing Assembly.



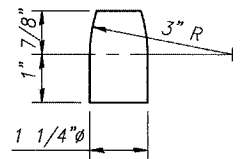
ELEVATION AT PIER



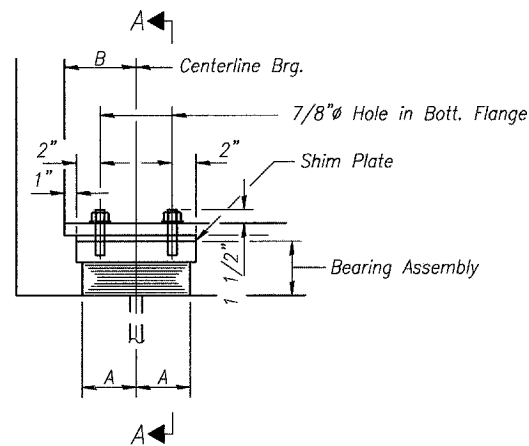
SECTION B-B

FIXED BEARING (PIER 5(N&S) & N ABUT)

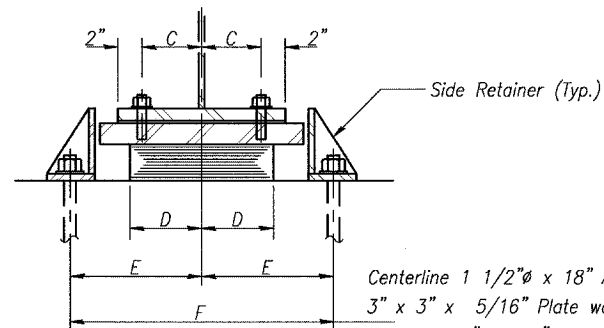
All structural steel for fixed bearings, except shim plates shall be AASHTO M270 Gr. 50.



PINTLE

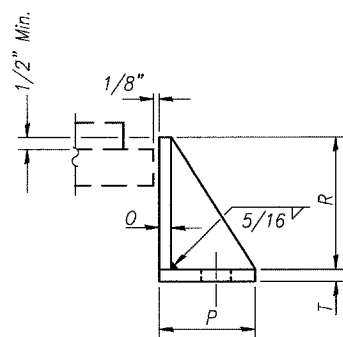


ELEVATION



SECTION A-A

TYPE I ELASTOMERIC EXP. BRG. (PIER 1, PIER 3, PIER 4(N), & PIER 6(N&S))



SIDE RETAINER

Equivalent rolled angle with stiffeners will be allowed in lieu of welded plates. Weight included with Structural Steel.

TABLE OF DIMENSIONS

Location	A	B	C	D	E	F	G	H	I	J	K	L	M
Pier 1 & 3	8"	N/A	8"	12"	1'-3 7/8"	2'-7 3/4"	17"	13"	3 7/8"	16"	3 9/16"	3/4"	6 1/16" Min. - 6 7/16" Max
Pier 4(N) & 6(N&S)	4 1/2"	6"	3"	6"	9 1/4"	18 1/2"	10"	6"	3"	9"	2 1/4"	3/8"	4" Min. - 4 1/4" Max.

Location	N	O	P	Q	R	S	T	U	V	W	X	Y	Z
Pier 1 & 3	2 1/2" Min. - 2 7/8" Max.	5/8"	5 1/2"	5/8"	6 3/8"	5 1/2"	5/8"	2 3/4"	4	3/4"	3	3/16"	1 3/4"
Pier 4(N) & 6(N&S)	1 3/4" Min. - 2" Max.	1/2"	4"	1/2"	4 1/4"	4"	1/2"	2 1/8"	5	3/8"	4	3/32"	1 1/4"

SHIM PLATE TABLE

Bm or Girder	PIER 1 17"x26"	PIER 3 17"x26"	PIER 4 10"x14" (north) 3/8"	PIER 5 9"x18 1/2" (south) 3/8"	PIER 5 9"x18 1/2" (north) 3/8"	PIER 6 10"x14" (south) 1/2"	PIER 6 10"x14" (north) 1/2"	N ABUT 9"x18 1/2"
1	-	-	3/8"	3/8"	-	1/2"	-	-
2	-	-	3/8"	1/8"	-	-	1/8"	-
3	3/8"	3/8"	1/4"	1/4"	-	-	-	-
4	-	-	-	1/4"	-	1/8"	-	-
5	-	-	-	1/4"	-	1/4"	-	-
6	-	-	-	3/8"	-	1/2"	-	-
7	-	-	-	3/8"	-	3/4"	-	-

BILL OF MATERIAL

Item	Unit	Total
Elastomeric Bearing Assembly Type I	Each	33

Notes: Anchor bolts at fixed bearings may be built into the masonry. See sheet # 33 of 38 for Anchor Bolt installation.

FIXED AND TYPE I ELASTOMERIC BEARING DETAILS
FAS 259 C.H. 3
OVER FOX RIVER
LA SALLE COUNTY
STA. 20+15.00
STRUCTURE NO. 050-3562

DRAWN BY: ARR	CAD: Bears	REVISIONS		SCALE: NONE	SHEET 43
		DATE	BY		
CHECKED BY: JKC	DATE: 02/03	3/08/04	NET	FILE NO.: 11174.01	OF 79