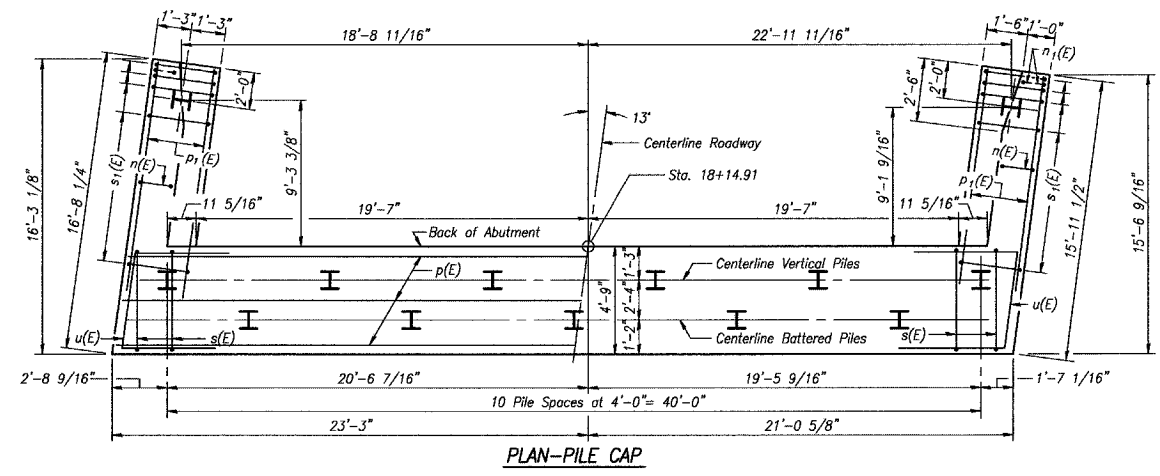
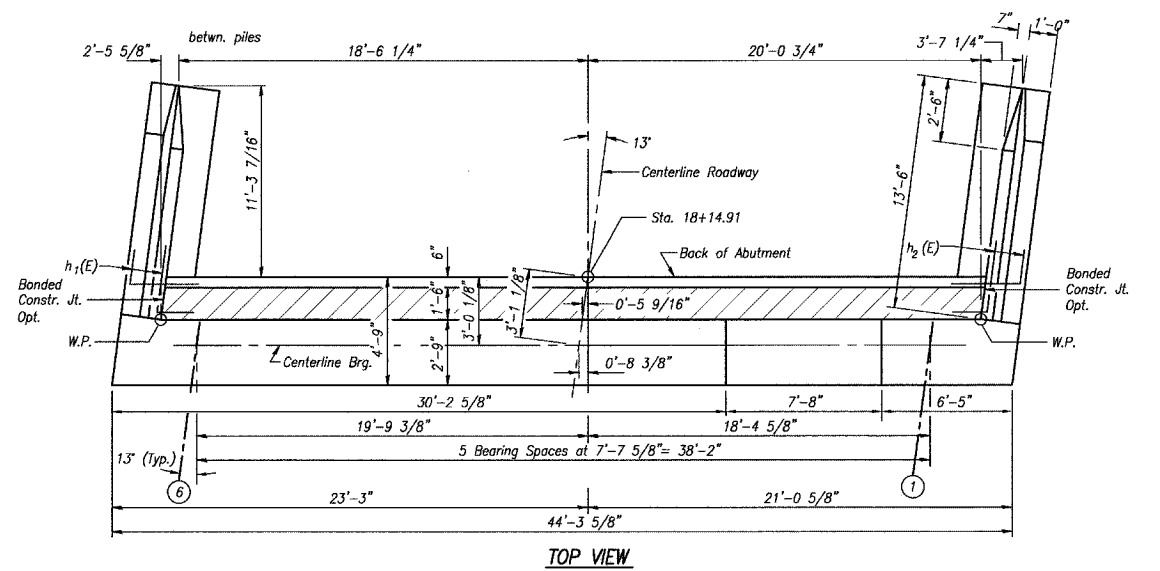
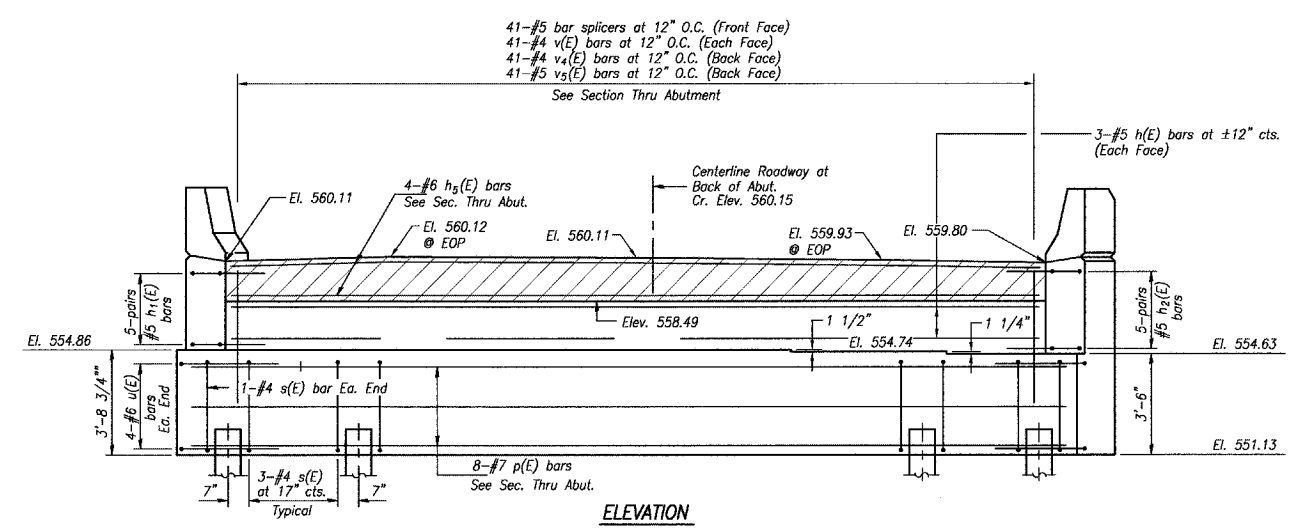


**PILE DATA**  
Type: Steel HP 10 X 42  
Required Bearing: Refusal  
Est. Length: 23'  
No. Required: 12 Plus  
1 test pile



**SOUTH ABUTMENT  
BILL OF MATERIAL**

Bar	No.	Size	Length	Shape
h(E)	6	#5	40'-11"	
h <sub>1</sub> (E)	10	#5	6'-1"	L
h <sub>2</sub> (E)	10	#5	6'-1"	J
h <sub>3</sub> (E)	22	#4	13'-3"	
h <sub>4</sub> (E)	14	#4	13'-3"	
h <sub>5</sub> (E)	4	#6	40'-11"	
n(E)	22	#6	11'-10"	
n <sub>1</sub> (E)	12	#6	5'-11"	
p(E)	8	#7	44'-0"	
p <sub>1</sub> (E)	12	#7	14'-3"	
s(E)	32	#4	15'-11"	
s <sub>1</sub> (E)	28	#4	9'-5"	
u(E)	8	#6	9'-7"	
v(E)	82	#4	7'-0"	
v <sub>1</sub> (E)	22	#6	8'-1"	
v <sub>2</sub> (E)	28	#6	7'-11"	
v <sub>3</sub> (E)	6	#6	7'-11"	
v <sub>4</sub> (E)	41	#4	3'-6"	
v <sub>5</sub> (E)	41	#5	2'-6"	
Structure Excavation		Cu. Yd.	66.7	
Concrete Structures		Cu. Yd.	55.1	
Reinforcement Bars, Epoxy Coated		Pound	4400	
Furnishing Steel Piles HP 10x42		Foot	276	
Driving Steel Piles		Foot	276	
Test Pile HP 10x42		Each	1	
Bar splicers		Each	41	

Reinforcement Bars designated (E) shall be epoxy coated.

SOUTH ABUTMENT DETAILS  
FAS 259 C.H. 3  
OVER FOX RIVER  
LA SALLE COUNTY  
STA. 20+15.00  
STRUCTURE NO. 050-3562

DRAWN BY: LAG	CAD: ABUTS	REVISIONS	SCALE: AS NOTED	SHEET 45
CHECKED BY: JKC	DATE: 02/03	DATE BY 3/08/04 NET	FILE NO.: 11174.01Y-1	OF 79