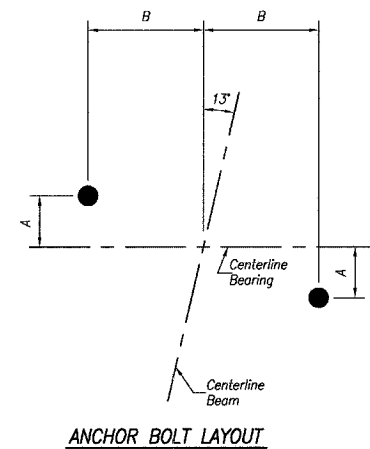


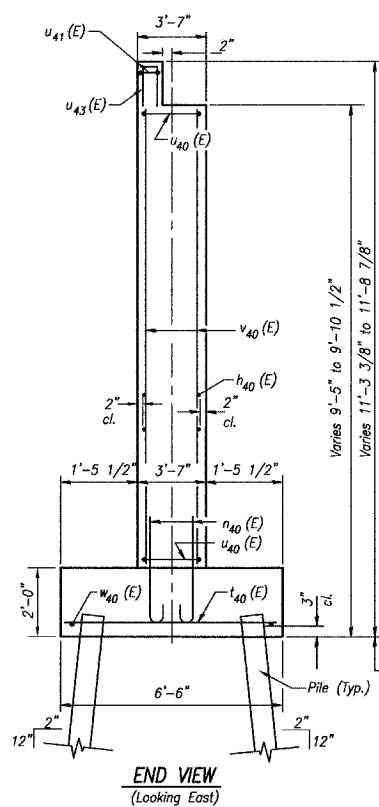
Notes: Space reinforcement in cap to miss anchor bolts.
Pour steps monolithically with pier.

PILE DATA

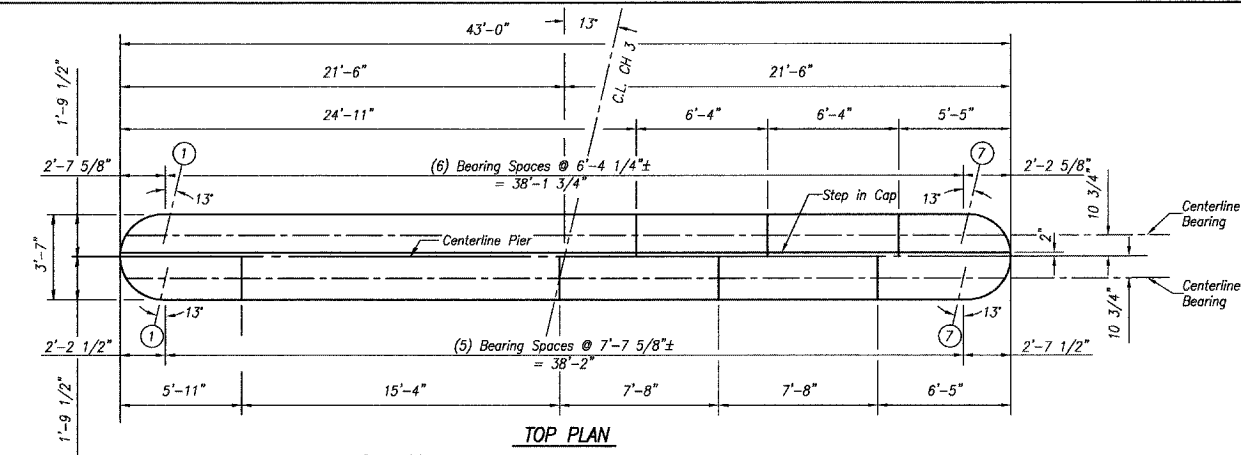
Type: Steel HP 10x42
Required Bearing: Refusal
Est. Length: 20'
No. Req'd: 11 plus one test pile
* Estimated Scour Elevation.



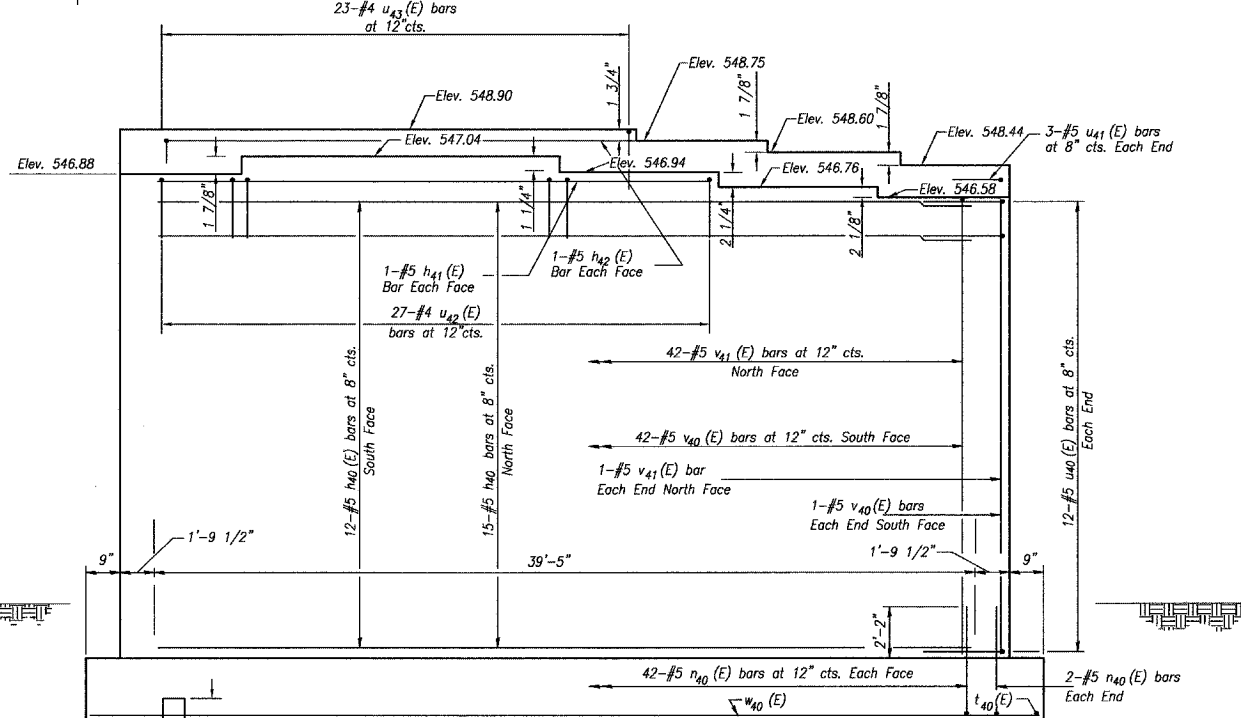
LOCATION	DIMENSION	
	A	B
Beams thru South Bearings	2 1/2"	10 3/4"
Beams thru North Bearings	2 1/8"	9"



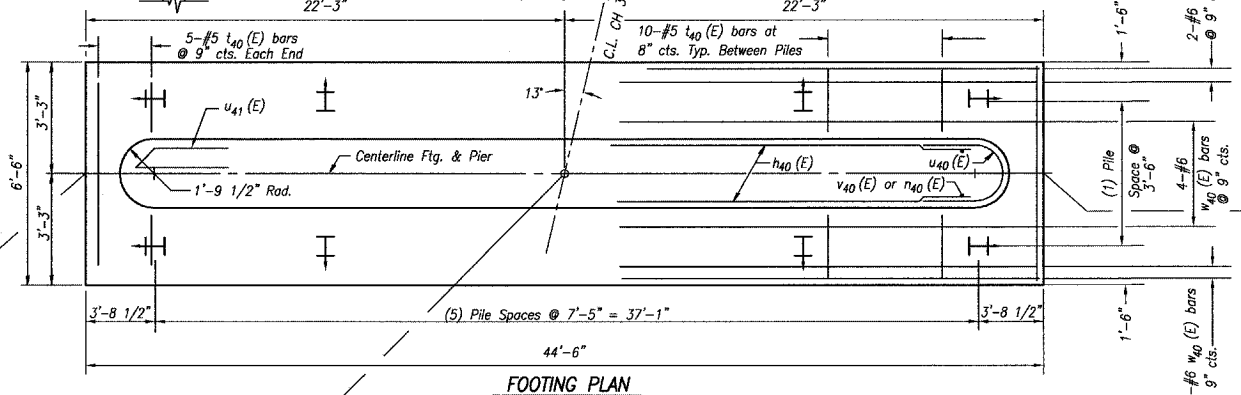
W.P. PIER 4
STA. 22+07.91
LT. 21.68'



TOP PLAN

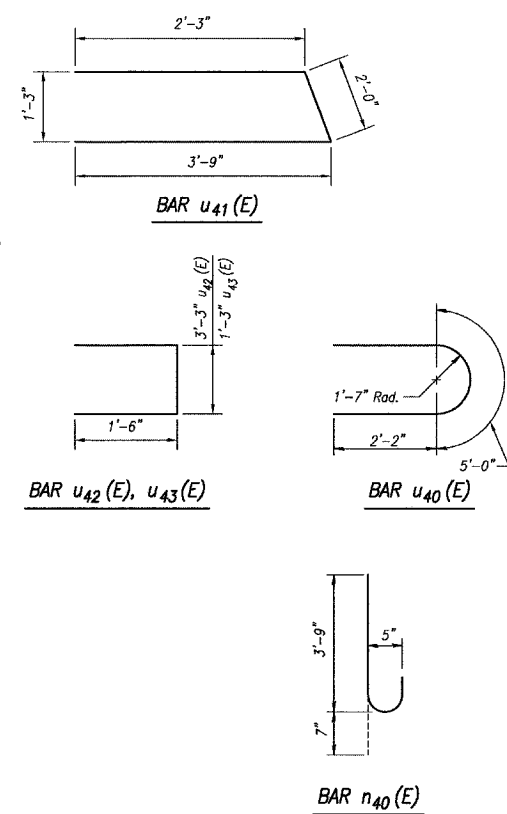


ELEVATION (Looking North)



FOOTING PLAN

C.L. PIER 4
STA. 22+12.92

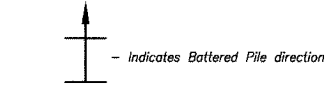


BILL OF MATERIAL

Bar	No.	Size	Length	Shape
n40(E)	27	#5	39'-5"	—
n41(E)	2	#5	26'-10"	—
n42(E)	2	#5	22'-10"	—
n40(E)	88	#5	4'-4"	U
t40(E)	60	#5	6'-2"	—
u40(E)	24	#5	9'-4"	U
u41(E)	6	#5	8'-0"	U
u42(E)	27	#4	6'-3"	U
u43(E)	23	#4	4'-3"	U
v40(E)	44	#5	7'-3"	—
v41(E)	44	#5	9'-2"	—
w40(E)	8	#6	44'-2"	—
Structure Excavation		Cu. Yd.	76.4	
Reinforcement Bars, Epoxy Coated		Pound	3740	
Concrete Structures		Cu. Yd.	69.4	
Furnishing Steel Piles		Foot	220	
HP 10x42		Foot	220	
Driving Steel Piles		Foot	220	
Test Pile HP 10x42		Each	1	
Metal Shoes		Each	11	

Reinforcement Bars designated (E) shall be epoxy coated.

W.P. PIER 4
STA. 22+17.92
RT. 21.68



PIER 4 DETAILS
FAS 259 C.H. 3
OVER FOX RIVER
LA SALLE COUNTY
STA. 20+15.00
STRUCTURE NO. 050-3562

DRAWN BY: CHAMS	CAD: PIER2	REVISIONS		SCALE: AS NOTED	SHEET 52
		DATE	BY		
CHECKED BY: JKC	DATE: 02/03	3/08/04	NET	FILE NO.: 11174.01Y-1	OF 79