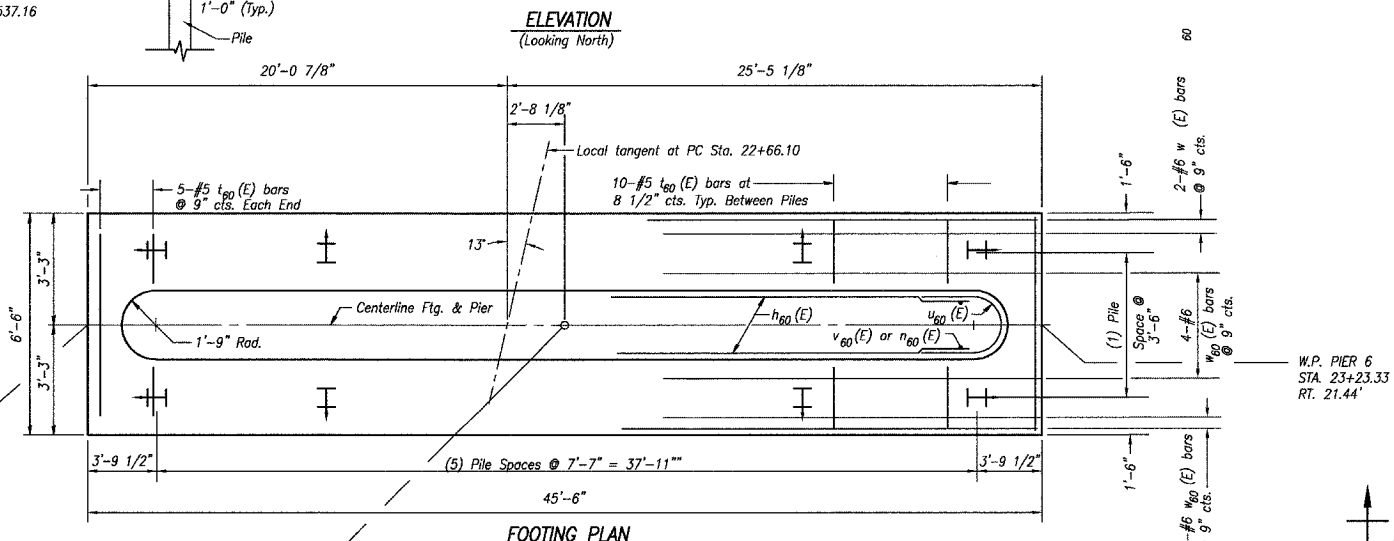
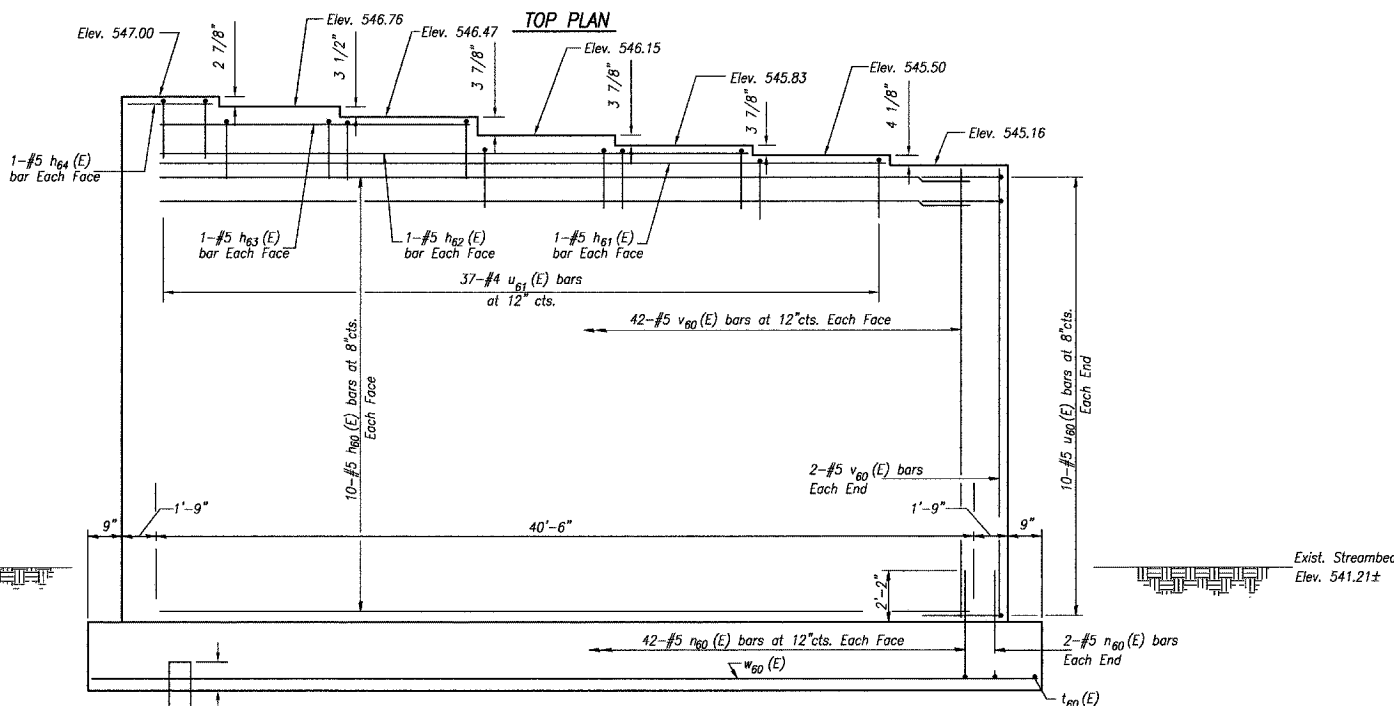
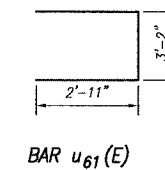
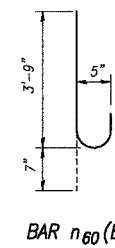
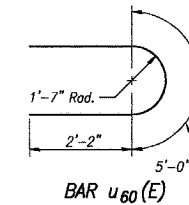
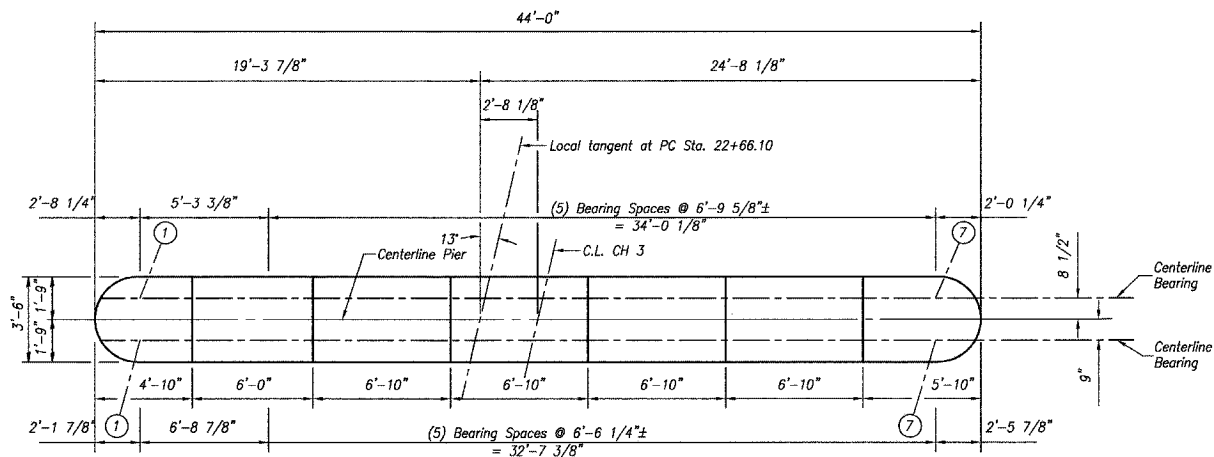


Notes: Space reinforcement in cap to anchor bolts.
Pour steps monolithically with pier.

PILE DATA

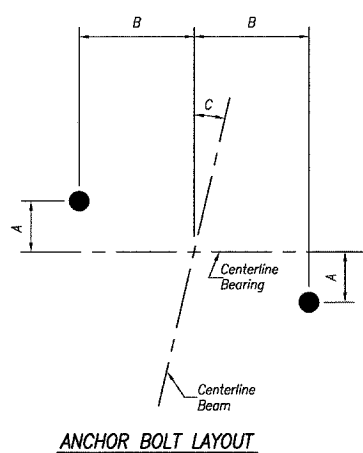
Type: Steel HP 10x42
Required Bearing: Refusal
Est. Length: 26'
No. Req'd: 11 plus one test pile
* Estimated Scour Elevation.



BILL OF MATERIAL

Bar	No.	Size	Length	Shape
n60 (E)	20	# 5	40'-6"	—
n61 (E)	2	# 5	36'-3"	—
n62 (E)	2	# 5	29'-5"	—
n63 (E)	2	# 5	15'-9"	—
n64 (E)	2	# 5	2'-11"	—
n60 (E)	88	# 5	4'-4"	U
t60 (E)	60	# 5	6'-2"	—
u60 (E)	20	# 5	9'-4"	U
u61 (E)	37	# 4	9'-0"	U
v60 (E)	88	# 5	5'-10"	—
w60 (E)	8	# 6	45'-2"	—
Structure Excavation	Cu. Yd.	78		
Reinforcement Bars, Epoxy Coated	Pound	3300		
Concrete Structures	Cu. Yd.	60.7		
Furnishing Steel Piles HP 10x42	Foot	286		
Driving Steel Piles	Foot	286		
Test Pile HP 10x42	Each	1		
Metal Shoes	Each	11		

Reinforcement Bars designated (E) shall be epoxy coated.



LOCATION	DIMENSION		
	A	B	C
Beams 2 thru 7 South Bearings	2 5/8"	8 7/8"	16'39'44"
Beam 1 South Bearing	2 3/8"	8 7/8"	15'18'02"
Beams 2 thru 7 North Bearings	3 5/8"	8 1/2"	23'15'00"
Beam 1 North Bearing	3 3/8"	8 5/8"	21'14'21"

W.P. PIER 6
STA. 23+08.44
LT. 21.56'

C.L. PIER 6
STA. 23+15.55

DRAWN BY: CHAMS	CAD: PIER2	REVISIONS		SCALE: AS NOTED	SHEET 54
		DATE	BY		
CHECKED BY: JKC	DATE: 02/03	3/08/04	NET	FILE NO.: 11174.01Y-1	OF 79

PIER 6 DETAILS
FAS 259 C.H. 3
OVER FOX RIVER
LA SALLE COUNTY
STA. 20+15.00
STRUCTURE NO. 050-3562

