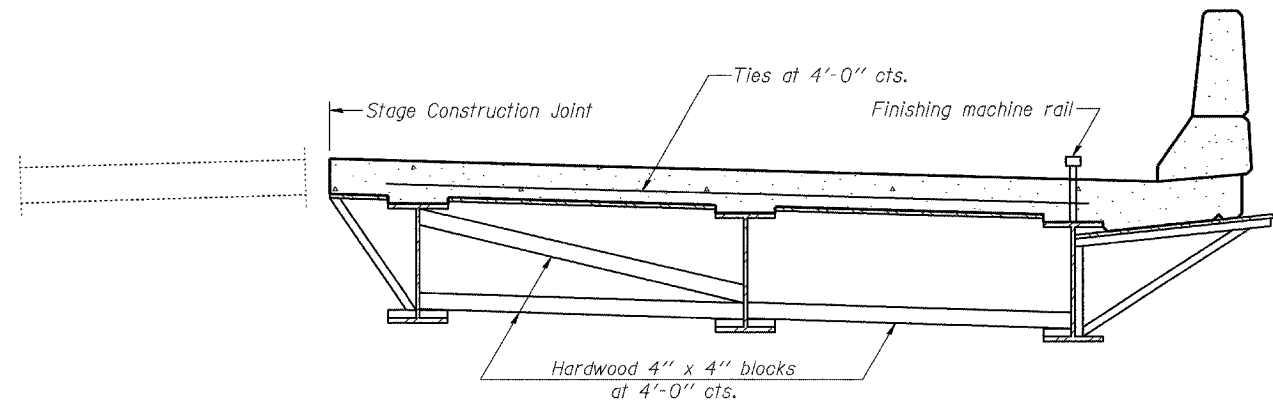


When cantilever forming brackets are used, the work shall be done according to Article 503.06, except as modified below and in the details shown on this sheet.

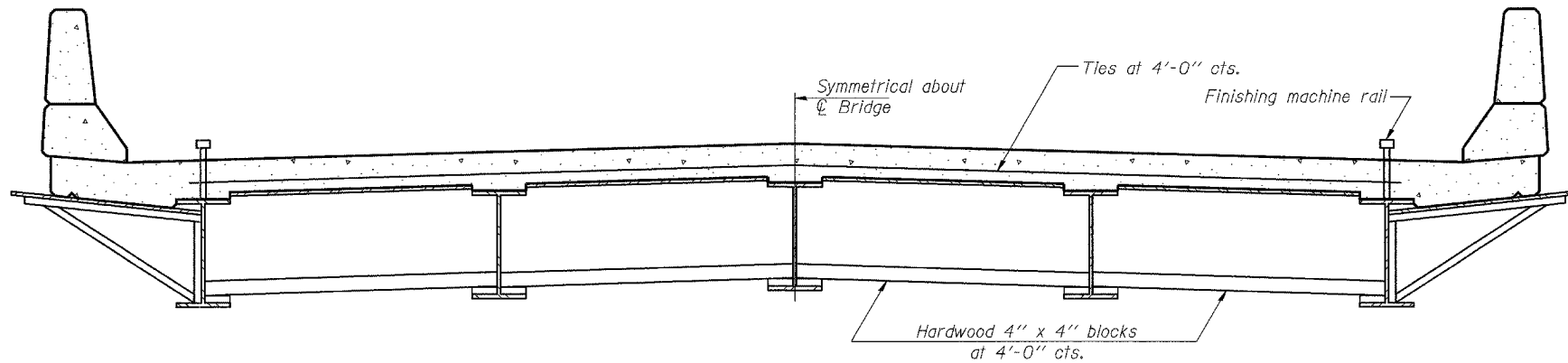
The finishing machine rails shall be placed on the top flange of the exterior beams.

The beams or girders, supporting cantilever forming brackets, shall be tied together at 4 foot intervals.

For Standard construction, or Stage Construction the Hardwood bracing materials shall be placed as shown between webs of beams in each bay.



**FORM BRACES FOR
STAGE CONSTRUCTION**



**FORM BRACES FOR
STANDARD CONSTRUCTION**

DESIGNED	-
CHECKED	-
DRAWN	-
CHECKED	-

SB-1 4-30-97

EXAMINED	_____	20
PASSED	_____	ENGINEER OF BRIDGE DESIGN
	_____	ENGINEER OF BRIDGES AND STRUCTURES

CANTILEVER FORMING BRACKETS
FOR SUPERSTRUCTURES WITH
W27 BEAMS AND SMALLER
FAS 259 C.H. 3
OVER FOX RIVER
LA SALLE COUNTY
STA. 20+15.00
STRUCTURE NO. 050-3562

DRAWN BY: LAG	CAD: CANT	REVISIONS		SCALE: NONE	SHEET 57
		DATE	BY		
CHECKED BY: JKC	DATE: 02/03			FILE NO.: 11174.01Y-1	OF 79