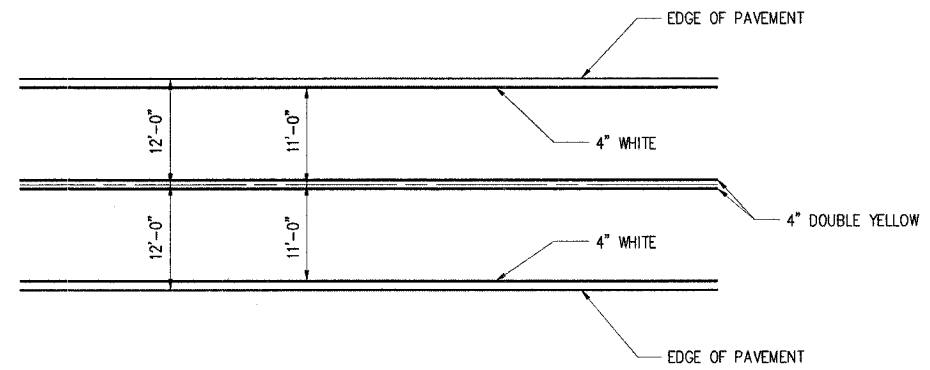


SECTION AT HEAVY DUTY EXCELSIOR BLANKET
FINAL PLACEMENT AS SHOWN OR AS DIRECTED BY THE ENGINEER.

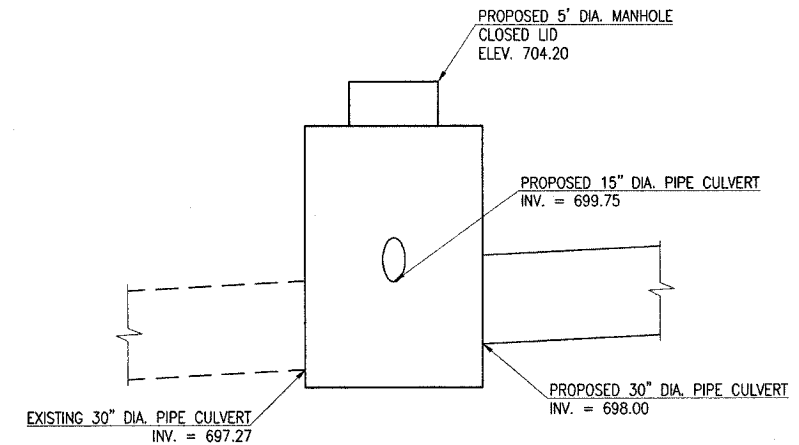
LIMITS OF HEAVY DUTY EXCELSIOR BLANKET SEE SCHEDULE FOR LOCATIONS.
 EROSION CONTROL MAT TO BE USED ON ALL OTHER DISTURBED AREAS

HEAVY DUTY EXCELSIOR BLANKET

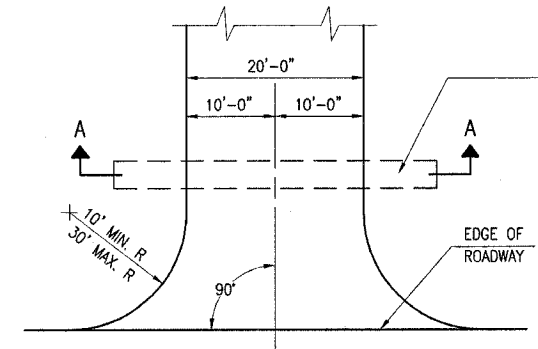
LOCATION	HEIGHT, H
DITCH LT. STA. 16+25 - STA. 16+77	1'-0"
DITCH LT. STA. 17+12 - STA. 17+50	1'-0"
DITCH LT. STA. 20+50 - STA. 22+65	1'-3"
DITCH RT. STA. 13+92 - STA. 14+90	2'-0"
DITCH RT. STA. 15+10 - STA. 16+77	1'-0"
DITCH RT. STA. 17+12 - STA. 17+75	1'-3"
DITCH RT. STA. 17+75 - STA. 19+00	2'-6"
DITCH RT. STA. 19+20 - STA. 22+65	1'-3"



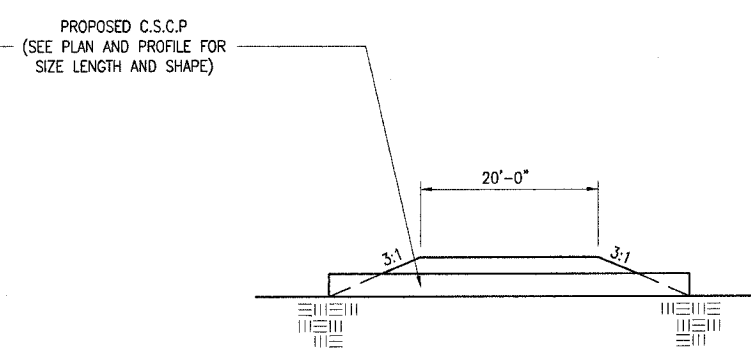
PAVEMENT MARKING DETAIL



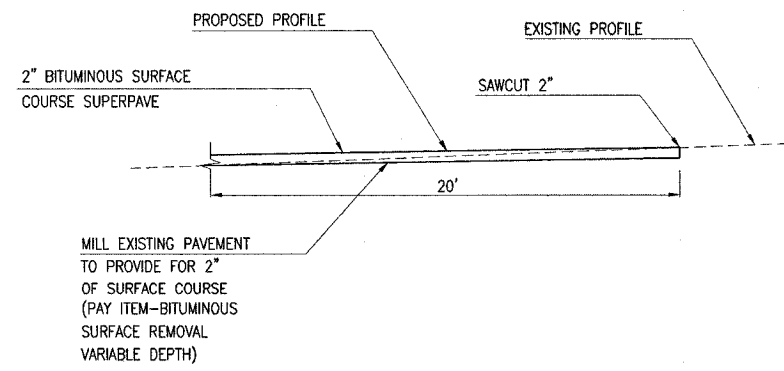
MANHOLE DETAIL
STA. 17+97.00, 26.63' LT



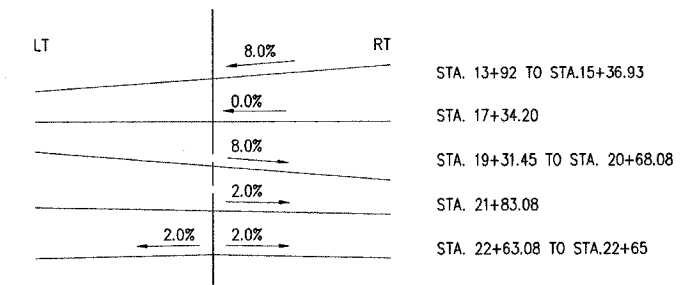
TYPICAL ENTRANCE DETAIL
STA. 19+16.92



SECTION A-A



BUTT JOINT DETAIL



SUPERELEVATION TRANSITION
NOTE: CONTINUOUS ROTATION FROM STA. 15+36.93 TO STA. 19+31.45

REVISION									
DATE									
PEORIA COUNTY									
Hanson No. 96P9008A	C-401 DET.DWG	Scale: N/A	Date: 12/16/2004	CAL: 09/24/03	DRAWN: RLA	REVIEWED: CAL	12/16/04	12/16/04	12/16/04
Phone: (309) 691-0902 Fax: (309) 691-1327 www.hanson-inc.com Offices Nationwide									
Hanson Professional Services Inc. 2004 2900 W. Willow Knolls Road Peoria, Illinois 61614-1129									
DETAILS									
RELOCATION OF COUNTY HIGHWAY R40 PEORIA COUNTY COUNTY HIGHWAY R40 UNDER BNSF R.R.									
11									
11 of 21 sheets									