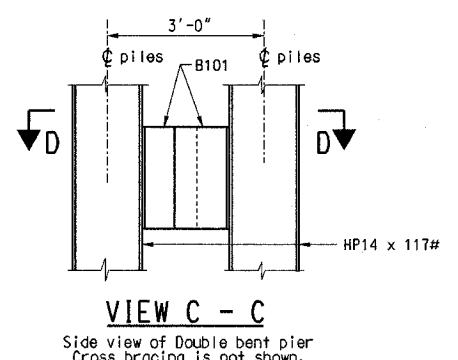
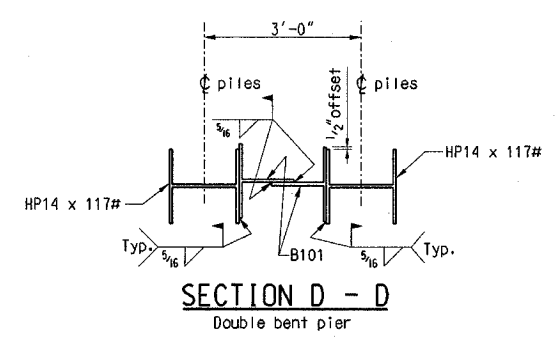
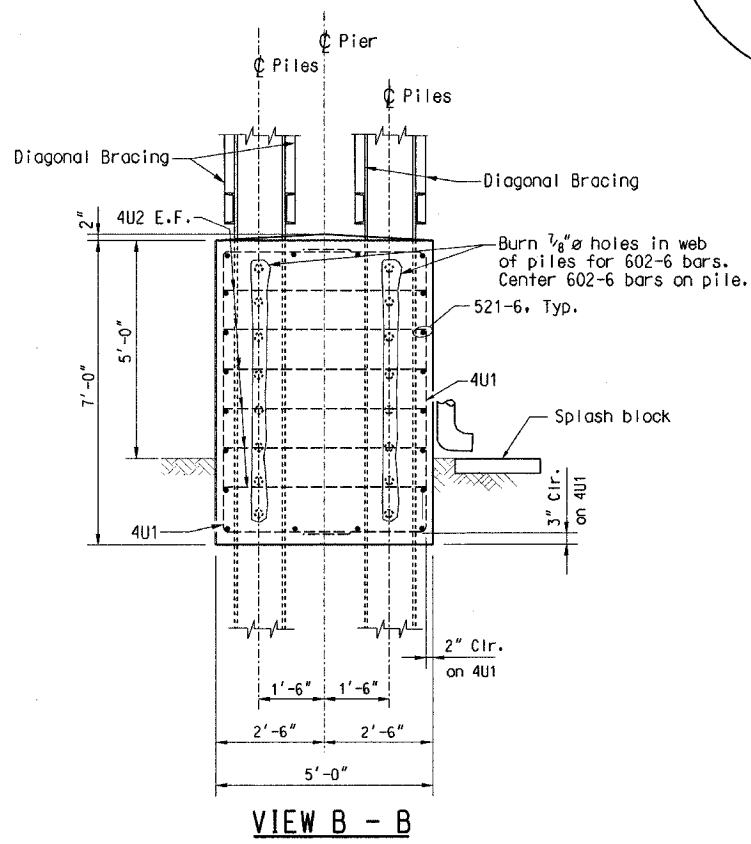
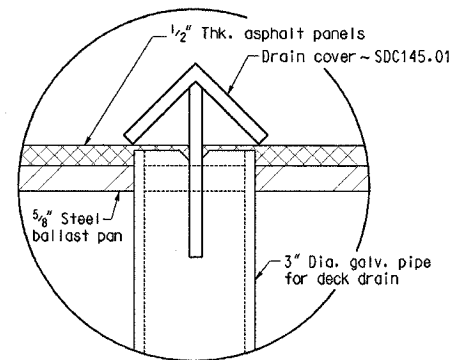
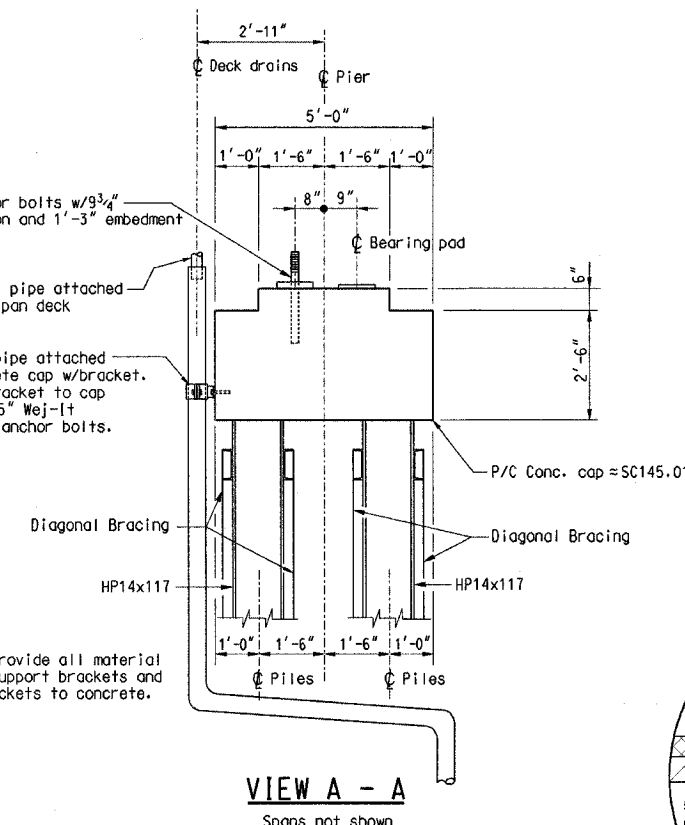


REINFORCING STEEL DETAILS

LIST OF REINFORCING BARS						
QUANT.	MARK	SIZE	TYPE	A	B	LENGTH
66	4U1	4	U	6'-7"	3'-3"	13'-1"
63	4U2	4	U	4'-8"	1'-0"	6'-8"
40	521-6	5	STR.	-	-	21'-6"
128	602-6	6	STR.	-	-	2'-6"

BAR U

All dimensions shown are out to out of bars.
Quantity shown is for one collision protection wall.



DES: KHJ	DRW: KHJ	CHK: MGC	
DATE: Nov., 2004	AUTH: 7-7000-05	LINE SEG: 7000	
BRIDGE ENGINEERING		KANSAS CITY, KS	
APPROVED:		 ASSISTANT DIRECTOR STRUCTURES DESIGN	
CHICAGO, IL TO FT. MADISON, IA			
BRIDGE NO. 145.01			
OVER CO. HWY R40 NEAR PRINCEVILLE, IL			
C-I-P CONCRETE COLLISION WALL & ERECTION DETAILS			
PLAN NO.:	7000-145.01-02	SHEET:	2 of 8