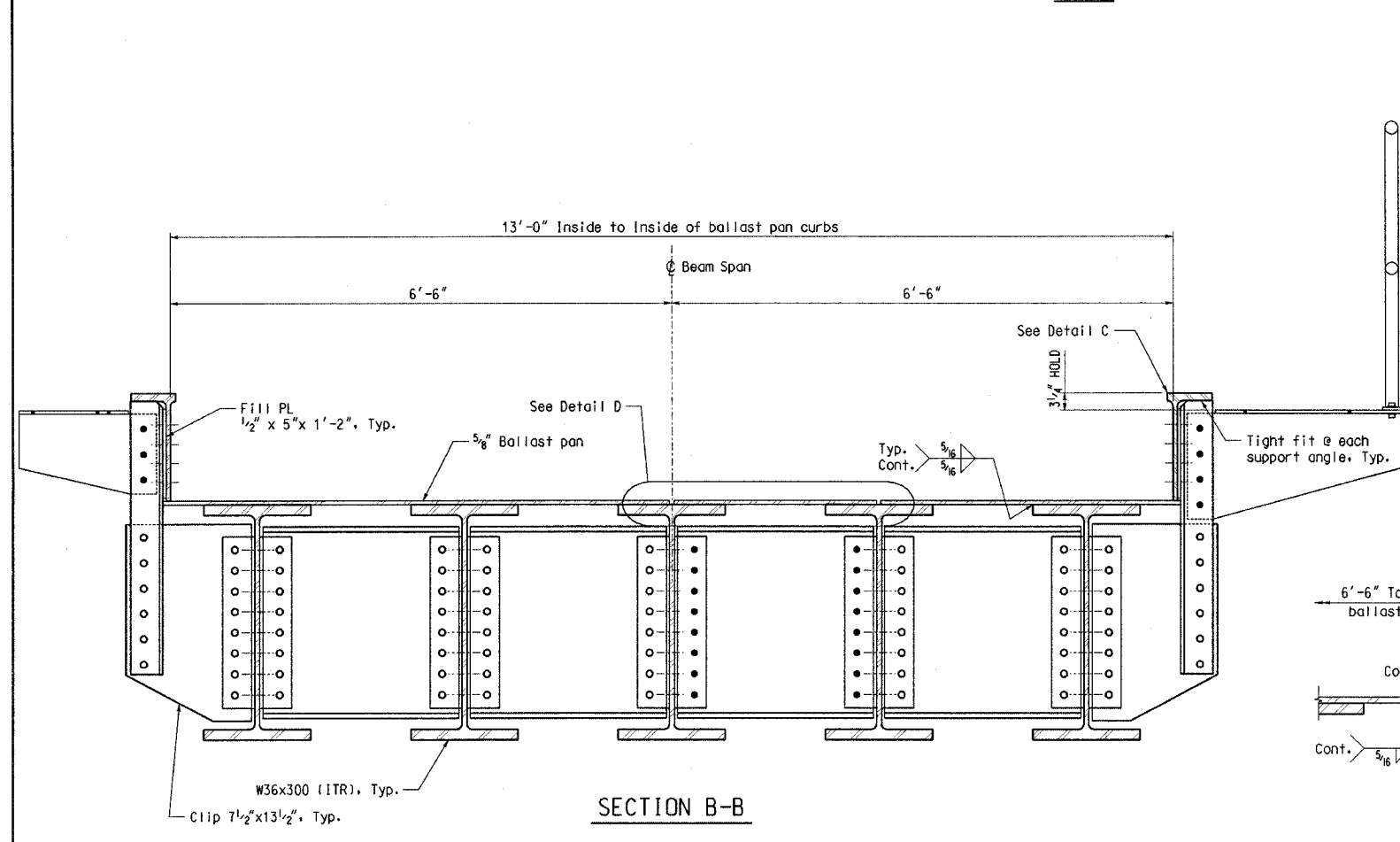
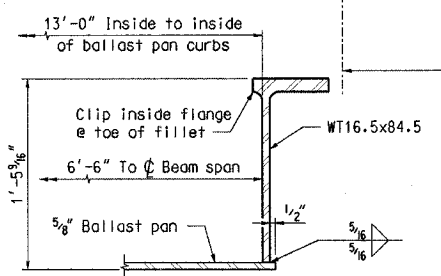


PLAN



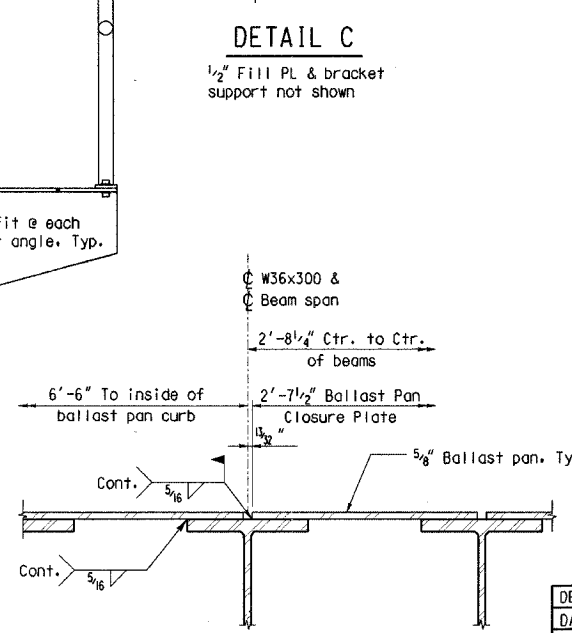
SECTION B-B

NOTE:
For detailed information about beams and diaphragms, see Sheet 5.



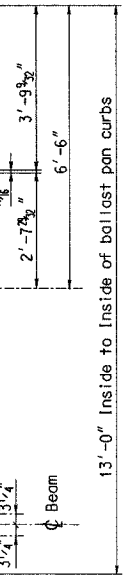
DETAIL C

1/2" Fill PL & bracket support not shown

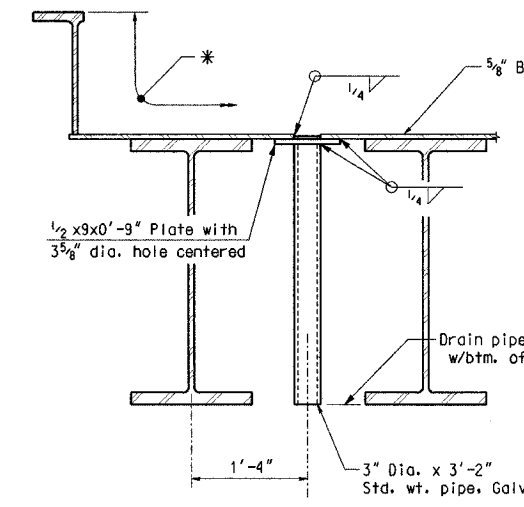


DETAIL D

LEGEND:
○ Shop bolt
● Field bolt



SECTION E-E



SECTION F-F

Deck drain detail, Typical @ four locations

NOTES:
For STEEL NOTES, see Sheet 5.
For LIFTING LUG and WALKWAY BRACKET DETAILS, see Sheet 7.

| | | |
|---|-----------------|-----------------|
| DES: KHJ | DRW: KHJ | CHK: MGG |
| DATE: Nov., 2004 | AUTH: 7-7000-05 | LINE SEG: 7000 |
| BRIDGE ENGINEERING | | KANSAS CITY, KS |
| APPROVED: <i>K.H. Jennison</i> ASSISTANT DIRECTOR STRUCTURES DESIGN | | |

CHICAGO, IL TO FT. MADISON, IA
BRIDGE NO. 145.01
OVER CO. HWY R40 NEAR PRINCEVILLE, IL
STEEL BALLAST PAN DETAILS
PLAN NO.: 7000-145.01-06



SHEET: 6 of 8