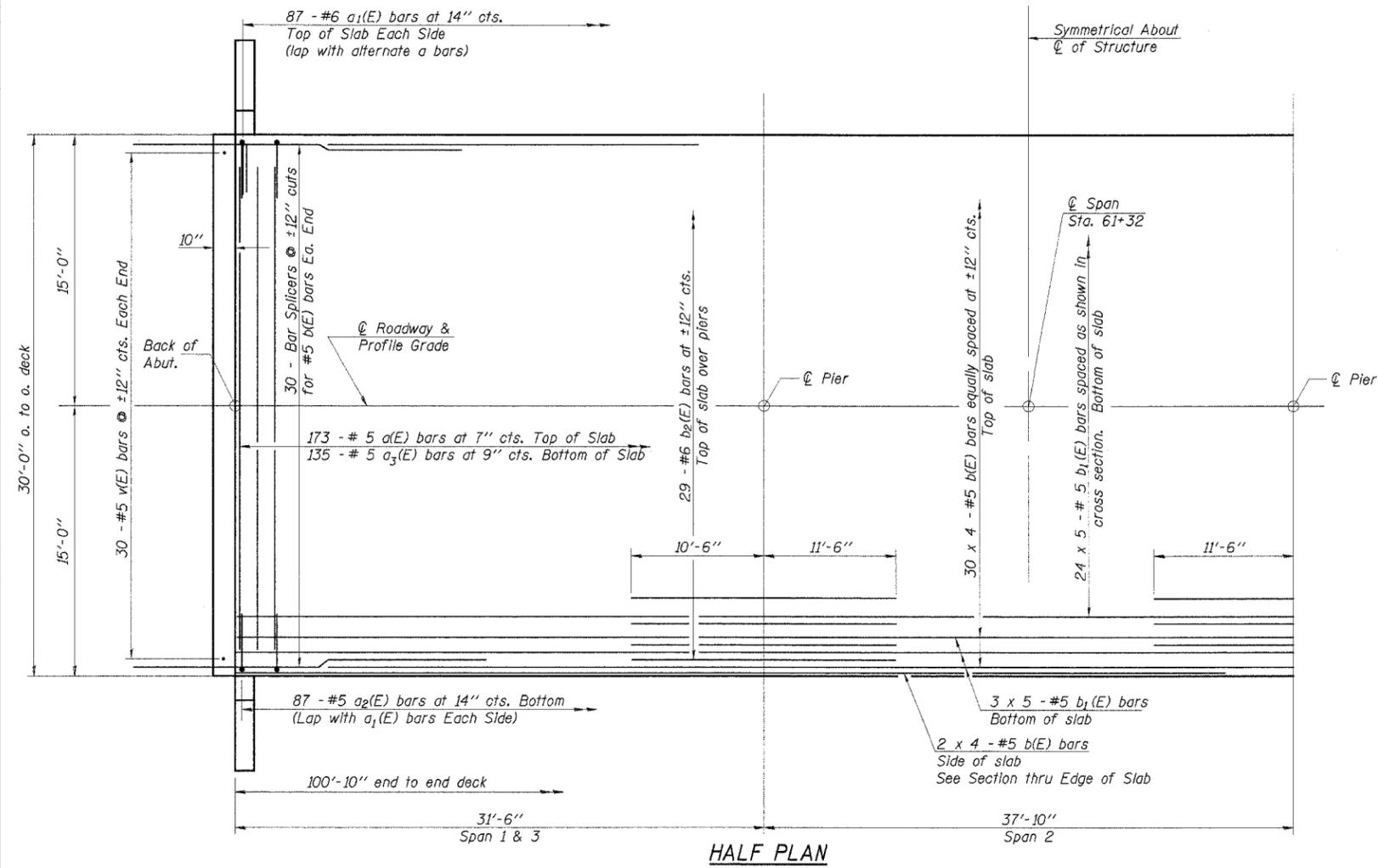
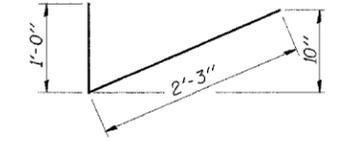
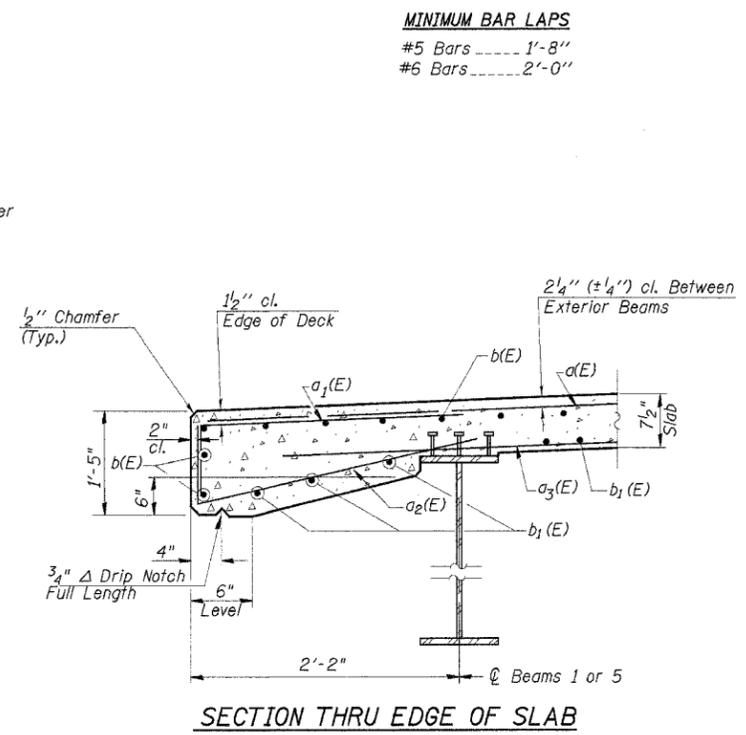


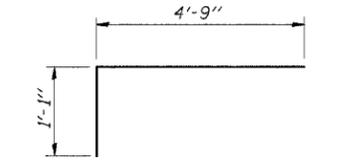
| | | | | |
|--------------------|----------|----------|-------------------|-----------|
| ROUTE NO. | SECTION | COUNTY | TOTAL SHEETS | SHEET NO. |
| C.H. 5 | 03-00027 | TAZEVELL | 24 | 9 |
| FAS 467 | -11-BR | | | |
| ILLINOIS | | | PROJ. BRS-467(04) | |
| CONTRACT NO. 89361 | | | Sheet 5 of 15 | |



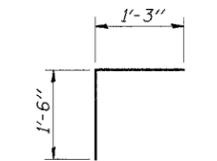
HALF PLAN



BAR $a_2(E)$

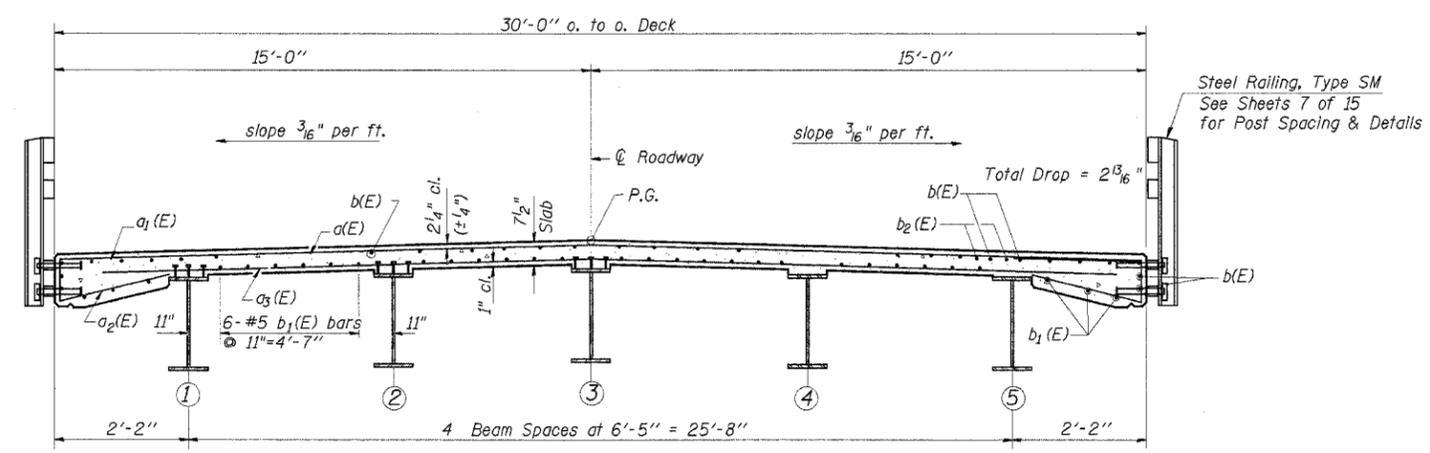


BAR $a_1(E)$



BAR $v(E)$

Notes:
See Sheet 6 of 15 for superstructure details and Bill of Material.
Reinforcement bars designated (E) shall be epoxy coated.
Bars indicated thus 35 x 4-#5 etc. indicates 35 lines of bars with 4 lengths per line.



CROSS SECTION (Looking East)

| | |
|----------|-------------------------|
| DESIGNED | S.F.M. |
| CHECKED | P.S.L. & F.J.S. |
| DRAWN | K.T.R., J.P.S. & S.A.P. |
| CHECKED | S.F.M. |
| S-1-0 | 9-01-03 |

SUPERSTRUCTURE

SECTION 03-00027-11-BR
COUNTY HIGHWAY 5
TAZEVELL COUNTY
STA. 61+32

| | | |
|--|---|---|
| 4440 ASH GROVE SPRINGFIELD, IL 62711 (217) 798-8600 ossinc@famvid.com | OZYURT AND STONE, INC. CONSULTING ENGINEERS | JOB NO.: 0313 FILE: SUPEROLDGN DATE: 12/30/04 |
|--|---|---|