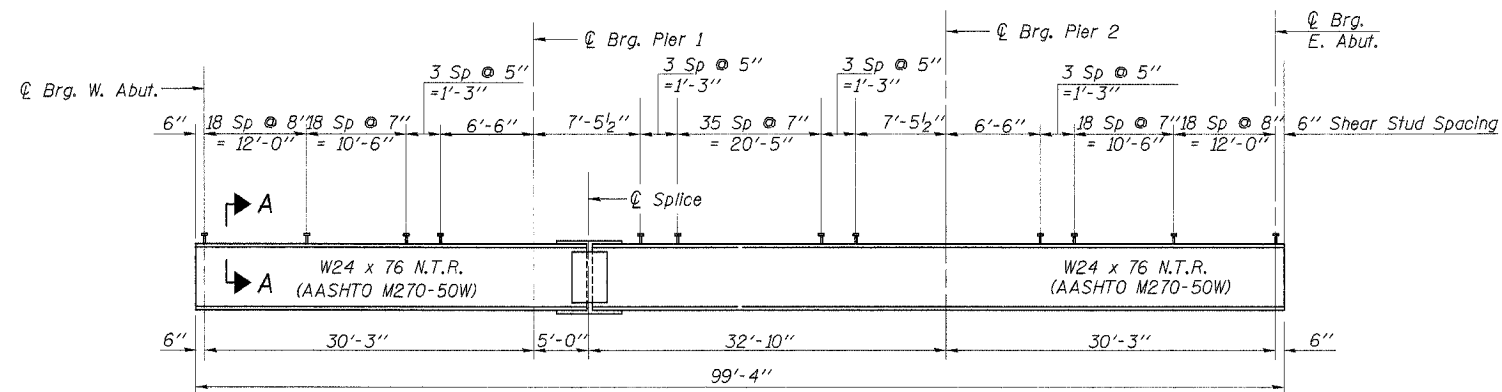
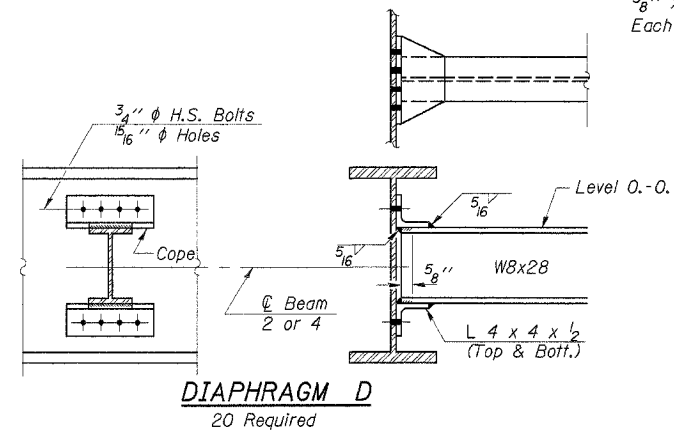
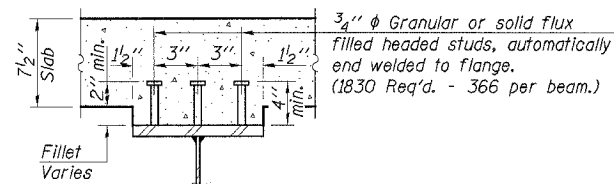
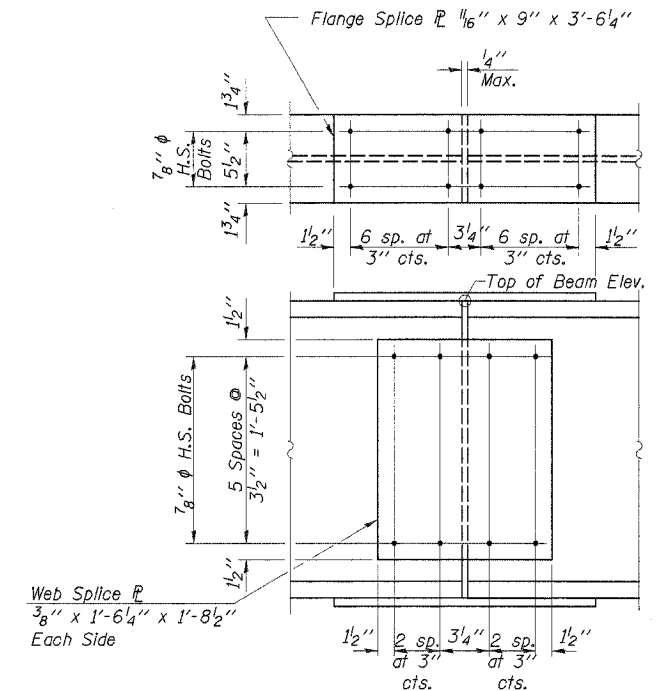


**TOP OF BEAM ELEVATIONS**  
(For Fabrication Only)

	⊕ Brg. W. Abut.	⊕ Brg. Pier 1	⊕ Splice	⊕ Brg. Pier 2	⊕ Brg. E. Abut.
Beams 1 & 5	648.42	648.42	648.42	648.42	648.42
Beams 2 & 4	648.52	648.52	648.52	648.52	648.52
Beam 3	648.62	648.62	648.62	648.62	648.62



Note: N.T.R. indicates that Notch Toughness Requirements are applicable.



Note: Two hardened washers shall be required over all oversize holes for diaphragms.

DESIGNED	S.F.M.
CHECKED	P.S.L. & F.J.S.
DRAWN	K.T.R., J.P.S. & S.A.P.
CHECKED	S.F.M.

**STRUCTURAL STEEL**

SECTION 03-00027-11-BR  
COUNTY HIGHWAY 5  
TAZEWELL COUNTY  
STA. 61+32

4440 ASH GROVE  
SPRINGFIELD, IL 62711  
(217) 793-8600  
oasinc@tamvdc.com

**OZYURT AND STONE, INC.**  
CONSULTING ENGINEERS

JOB NO.: 0313  
FILE: STEEL01.DGN  
DATE: 12/30/04