

GENERAL NOTES

Continuous Seal Neoprene Expansion Joint shall consist of molded anchor blocks of elastomer and steel, field assembled over continuous lengths of elastomeric membrane.

The elastomeric membrane shall be premolded with a single or a double upward convolution that will have a "memory" to return to its molded position upon joint closure.

The convolution length shall be such that the extended length will not be greater than the manufactured length when the joint is fully expanded in its design range and will not protrude above the anchor blocks when the joint is fully compressed.

Joint openings shall be adjusted according to Article 503.10(c) of the Standard Specifications when the deck is poured at an ambient temperature other than 50° F.

The parapet and roadway membrane shall be made continuous by an approved vulcanizing process. Lapping will not be permitted.

Joint Size	"C" at 50°F	"D" at 50°F
2"	2"	1 1/2" Min.
2 1/2"	2 1/2"	1 3/4" Min.
4"	3"	2 1/2" Min.

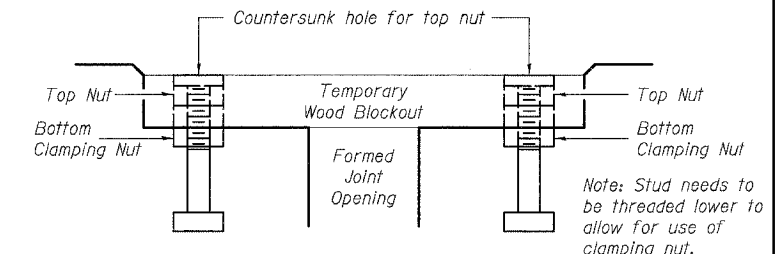
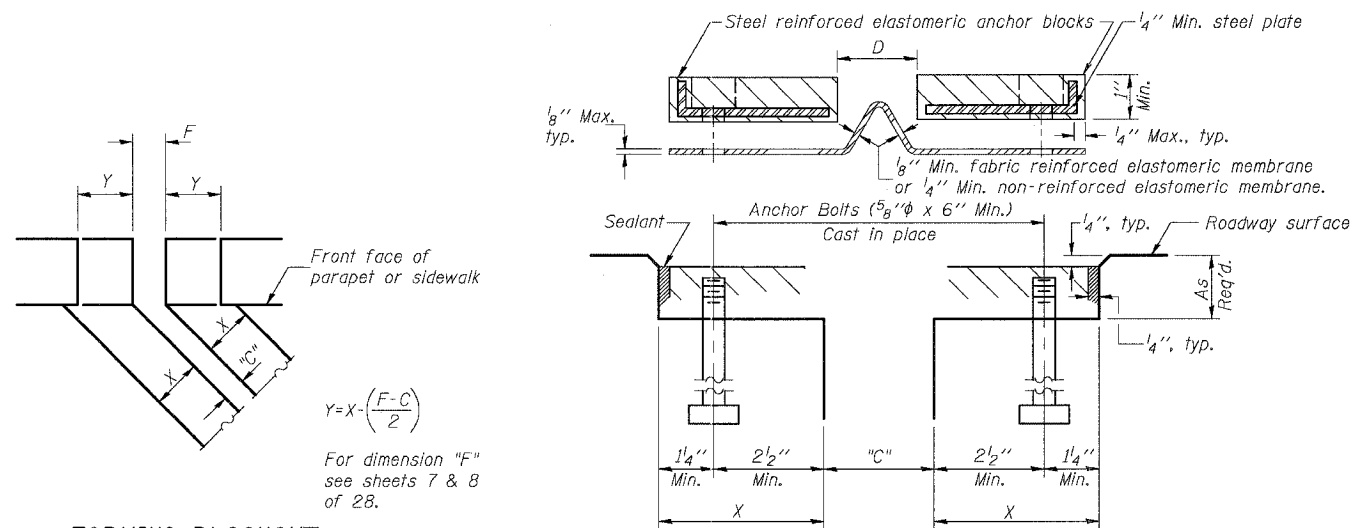
INSTALLATION NOTES

- Install continuous seal in roadway, parapet, curb, and sidewalk.
- Install anchor blocks as indicated.

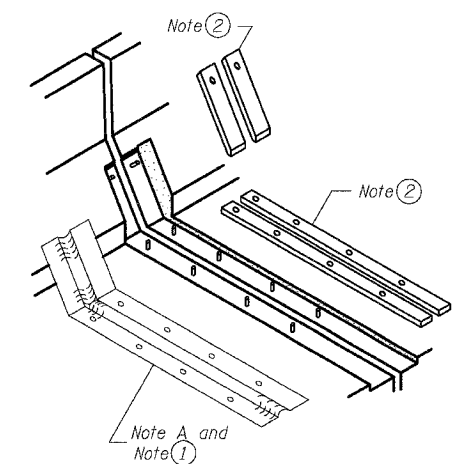
NOTE A: Maximum spacing of anchor bolts shall be 12" centers.

SKEW LIMITATIONS

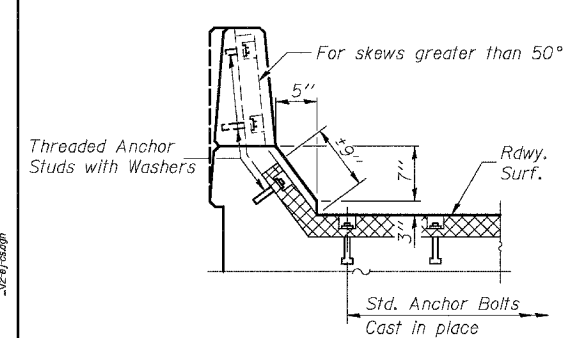
The details of the anchor blocks and the elastomeric membrane in the parapet, as shown, are for up to 50° skews. For skews greater than 50°, the anchor blocks and the elastomeric membrane, installed according to dimension "D", might require modifications to insure a minimum clearance of 1/2" from centerline of anchor studs to edge of parapet opening. The anchor blocks and the elastomeric membrane shall also be installed to the top of the parapet with the anchor studs spaced at ±12" cts.



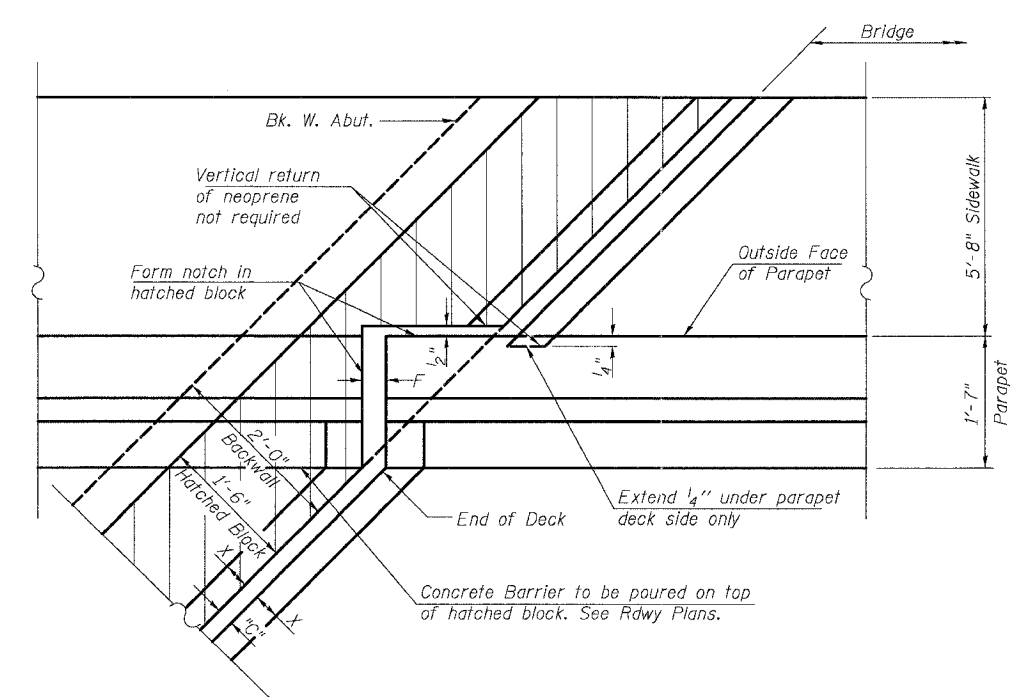
RECOMMENDED BLOCKOUT DETAIL



AT PARAPET

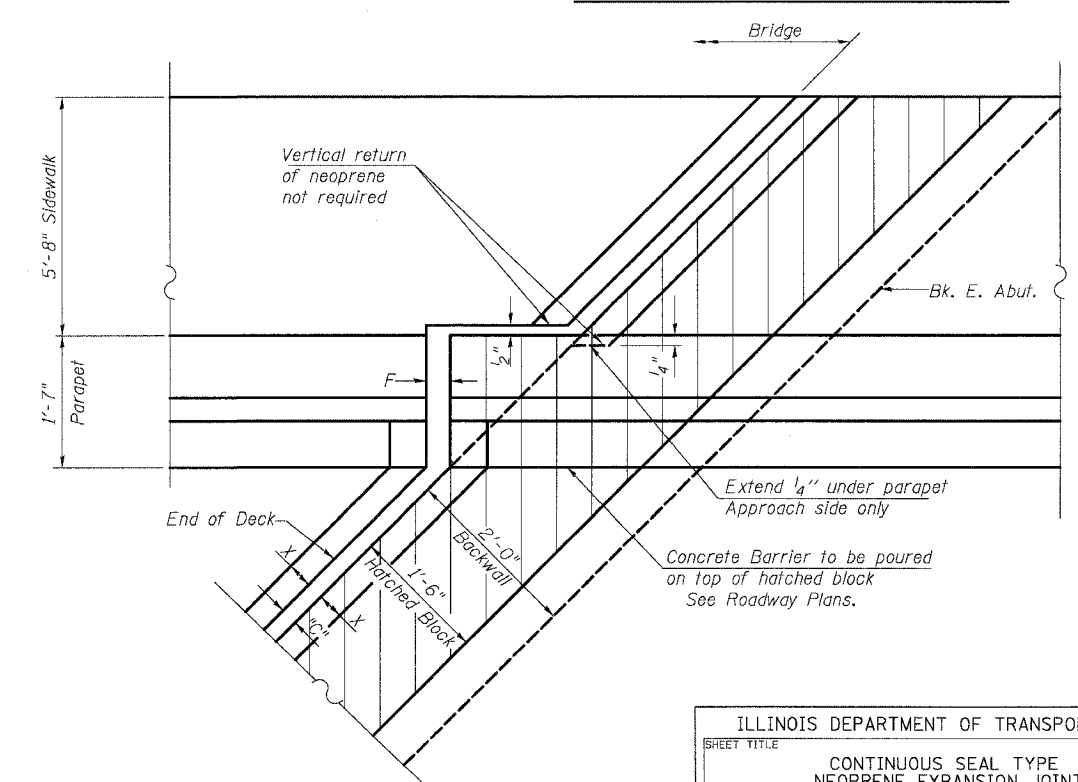


AT PARAPET



WEST EXPANSION JOINT DETAIL

(at end of parapet and sidewalk)



EAST EXPANSION JOINT DETAIL

(at end of parapet and sidewalk)

ILLINOIS DEPARTMENT OF TRANSPORTATION	
SHEET TITLE CONTINUOUS SEAL TYPE NEOPRENE EXPANSION JOINT	
PROJECT US RTE 136 OVER BLUEGRASS CREEK FAP ROUTE 711 SECTION 115(BY)BR VERMILION COUNTY STATION 236+24.70 STRUCTURE NUMBER 092-0200	PROJECT NO. 01054 DATE 05/18/04 DRAWN BY TFG CHECKED BY KPS/CME/MCB DRAWING NO.
COOMBE-BLOXDORF P.C. Engineers / Land Surveyors Springfield, Illinois Design Firm License No. 184-002703	
12 OF 28 SHTS	