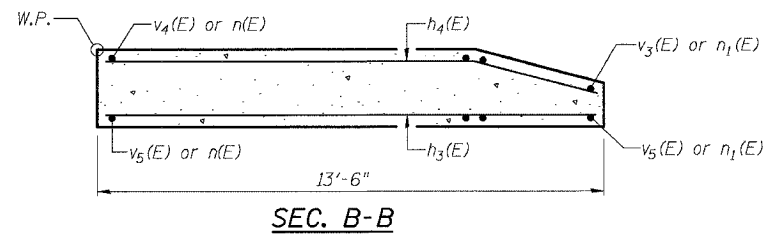
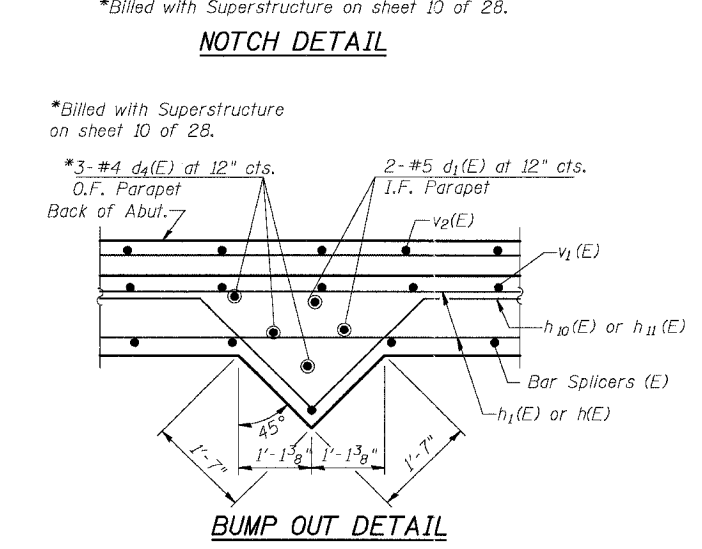
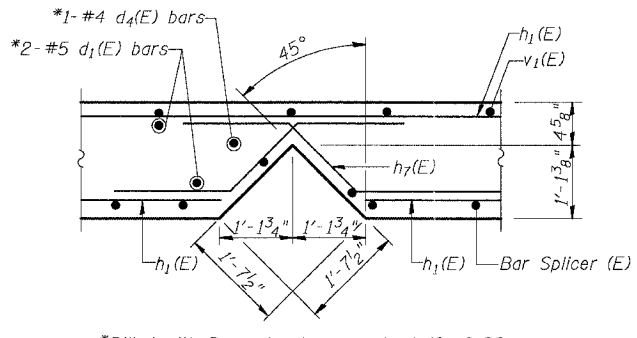
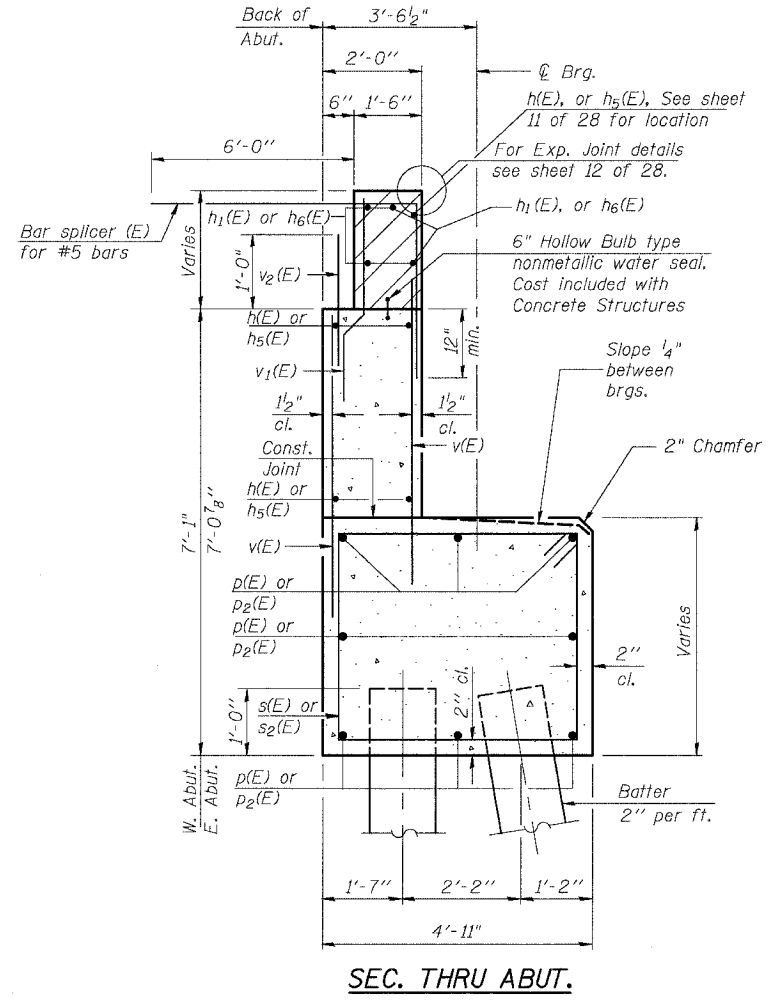
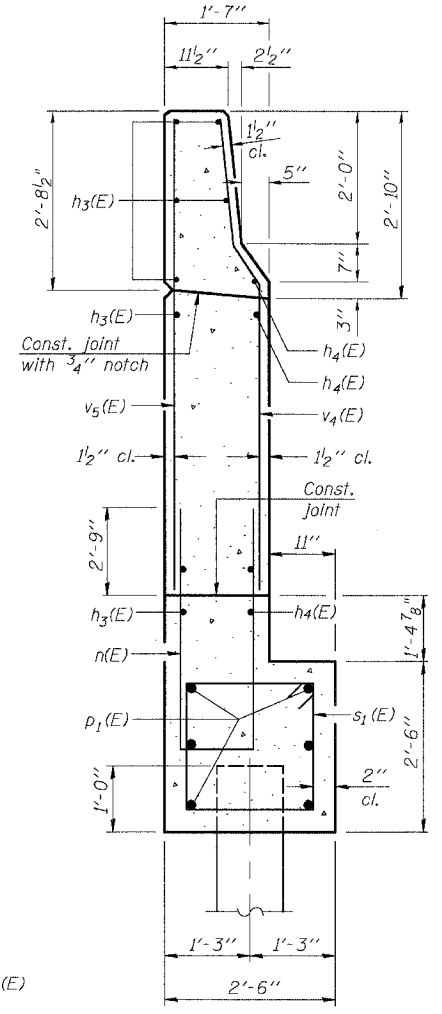
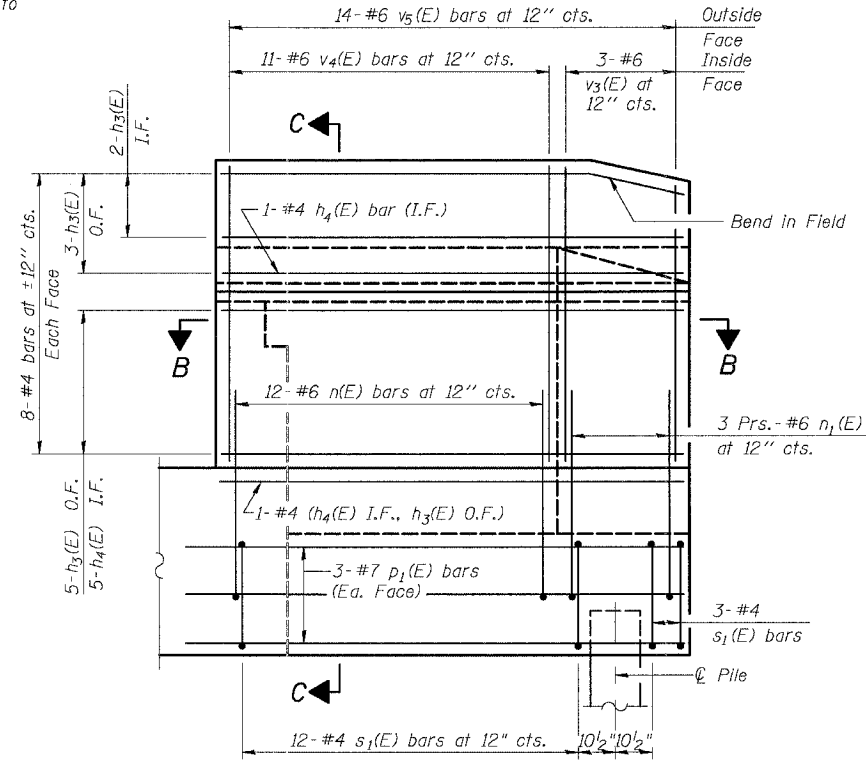
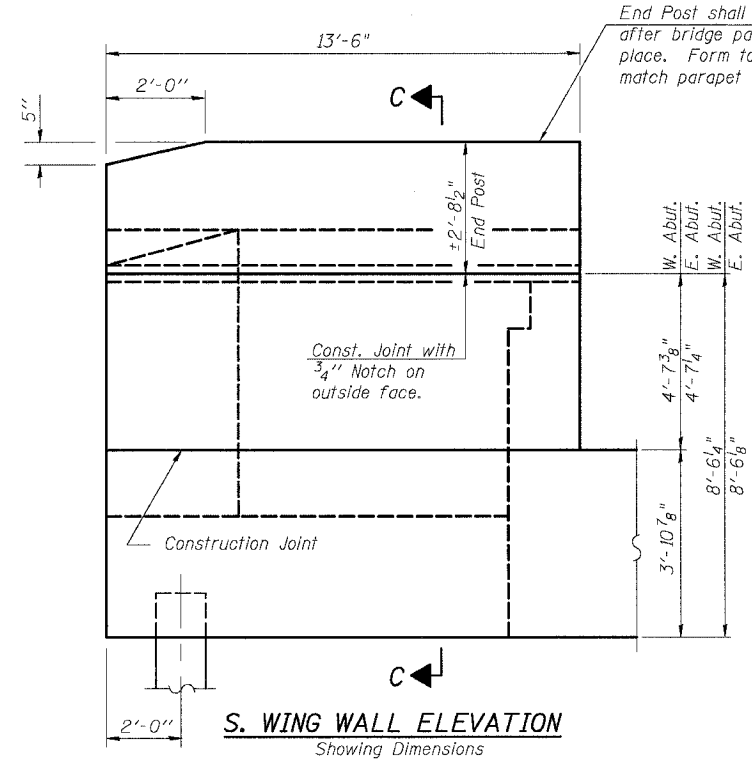


FAP ROUTE	SECTION	COUNTY	TOTAL SHEETS	SHEET NO.	SHEET NO. 20 28 SHEETS
711	115(BY)BR	VERMILION	93	39	
FED. ROAD DIST. NO.		ILLINOIS	FED. AID PROJECT-		
CONTRACT NO. 98843					



NOTES

Hatched area to be poured after superstructure forms have been removed. Quantity of concrete included with Concrete Superstructure. Space reinforcement in cap to miss anchor bolts. Pour steps monolithically with cap. Reinforcement bars designated (E) shall be epoxy coated. Quantity of concrete in end post included with Concrete Superstructure on sheet 10 of 28. All edges shall have 3/4" chamfer except as noted.

Work this sheet with sheets 18, 19 and 21 of 28.

ILLINOIS DEPARTMENT OF TRANSPORTATION	
SHEET TITLE ABUTMENT DETAILS	
PROJECT US RTE 136 OVER BLUEGRASS CREEK FAP ROUTE 711 SECTION 115(BY)BR VERMILION COUNTY STATION 236+24.70 STRUCTURE NUMBER 092-0200	PROJECT NO. 01054 DATE 05/18/04 DRAWN BY TFG CHECKED BY KPS/CME/MCB DRAWING NO.
COOMBE-BLOXDORF P.C. Engineers / Land Surveyors Springfield, Illinois Design Firm License No. 184-002703	
20 OF 28 SHTS	